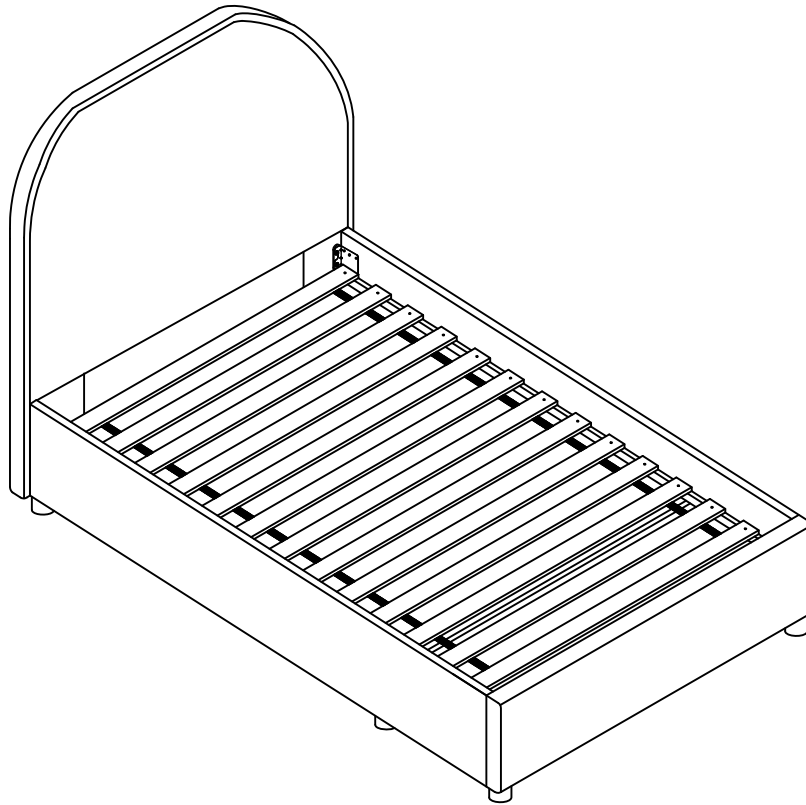


# ASSEMBLY INSTRUCTIONS

## 60980 - Lennox Single Bed




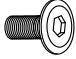
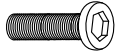
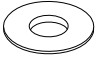

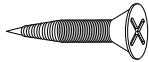
adairs kids



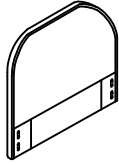


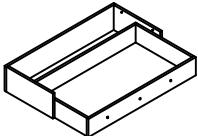


Tools Needed  
2 person build



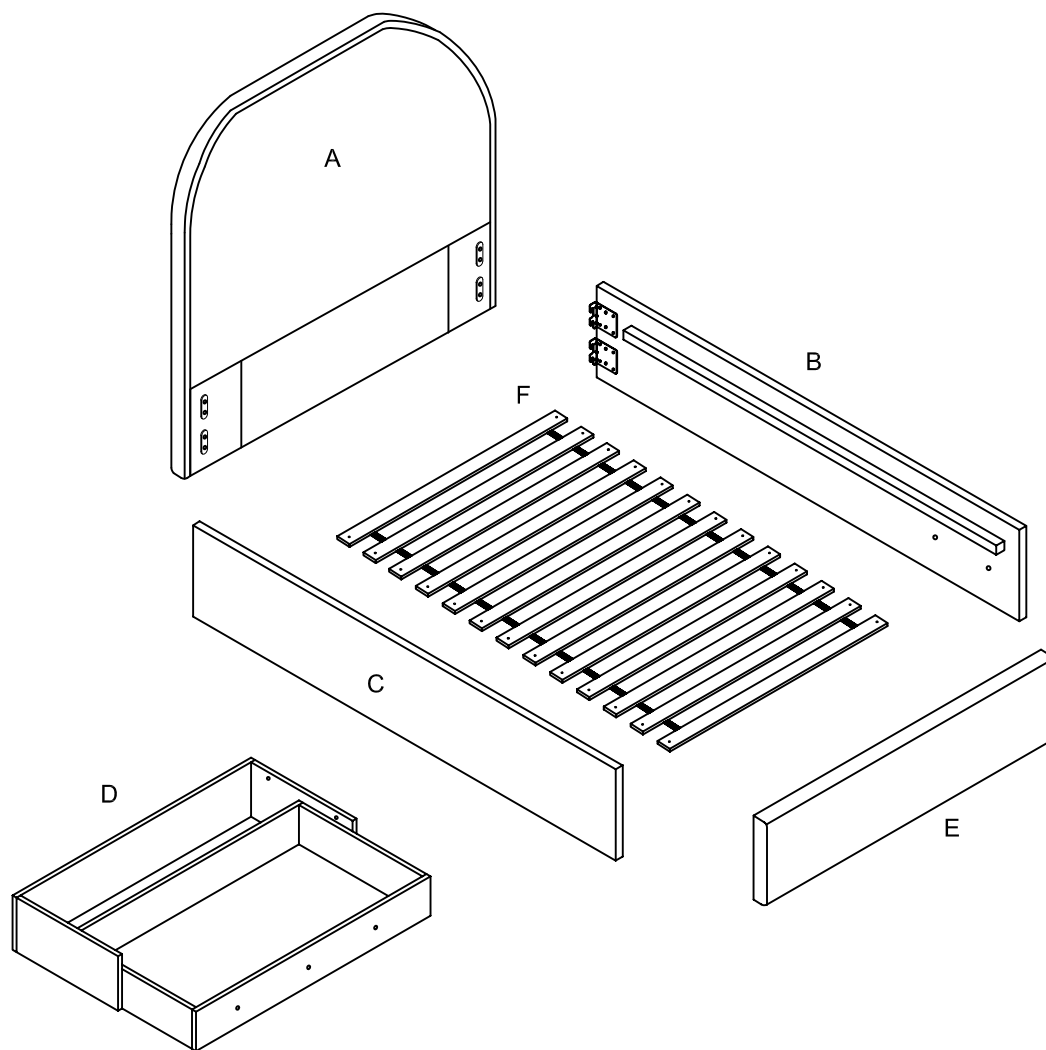
### BED FITTINGS

 Feet ① X 6	 Big Head Bolts (M8*18) ② X 8	 Medium Bolts (M8*35) ③ X 7
 Washers (M8*19) ④ X 7	 Allen Key (M5) ⑤ X 1	 Screws (M4*32) ⑥ X 26

### PART LIST

 Headboard A X 1	 Right Side Rail B X 1	 Left Side Rail C X 1
 Footboard Drawer D X 1	 Drawer Board E X 1	 Slats F X 1

## Parts



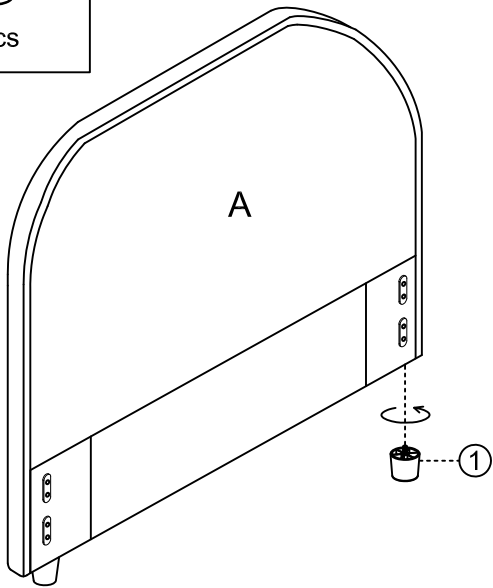
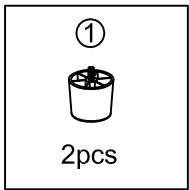
**MAXIMUM WEIGHT LOAD: 396 LBS/ 180 KGS.**

### **FOR ASSEMBLY**

- First, check the content to make sure that nothing is missing.
- Sort out the parts and fittings as shown.
- Assemble the product step by step.
- It is preferable to rest the product on a soft surface to avoid damage during assembly.
- Do not overtighten screws and fittings.
- Re-tighten all screws and fittings periodically.

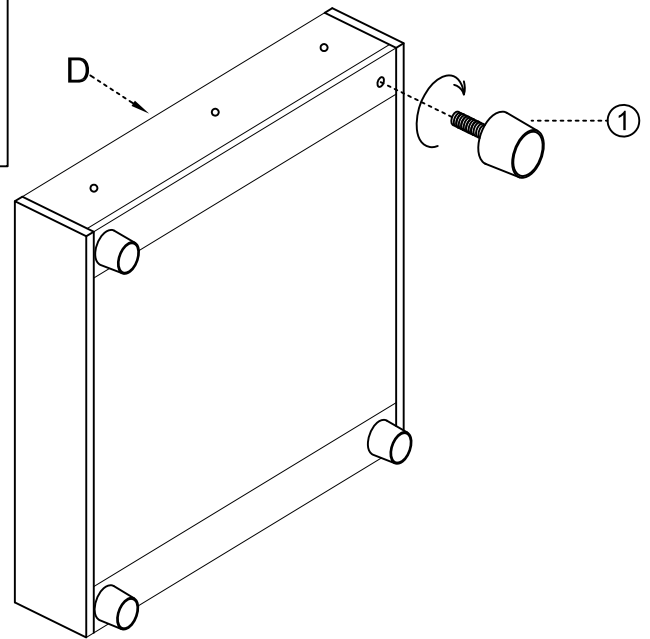
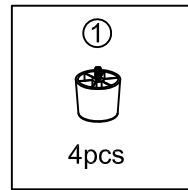
Adairs Retail Group Pty Ltd  
Level 9, One Middle Road,  
Chadstone, VIC, 3148  
T 61 3 8888 4500  
[www.adairs.com.au](http://www.adairs.com.au) [www.adairs.co.nz](http://www.adairs.co.nz)

### Step 1



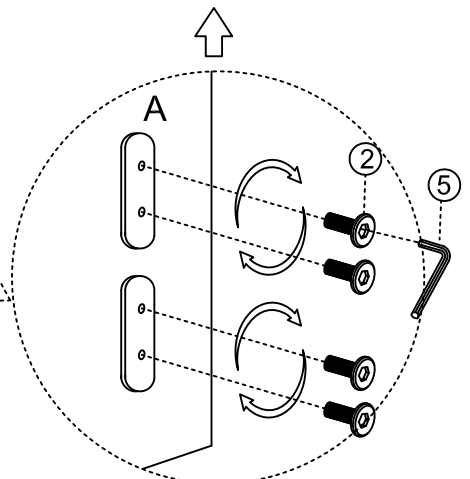
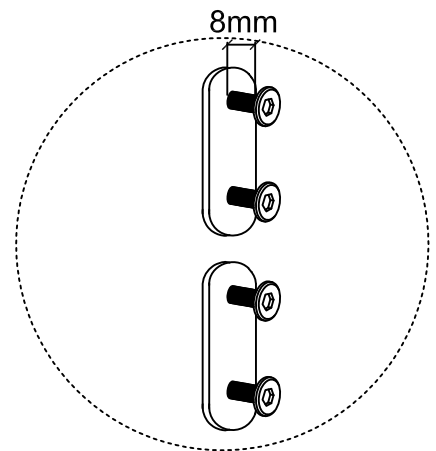
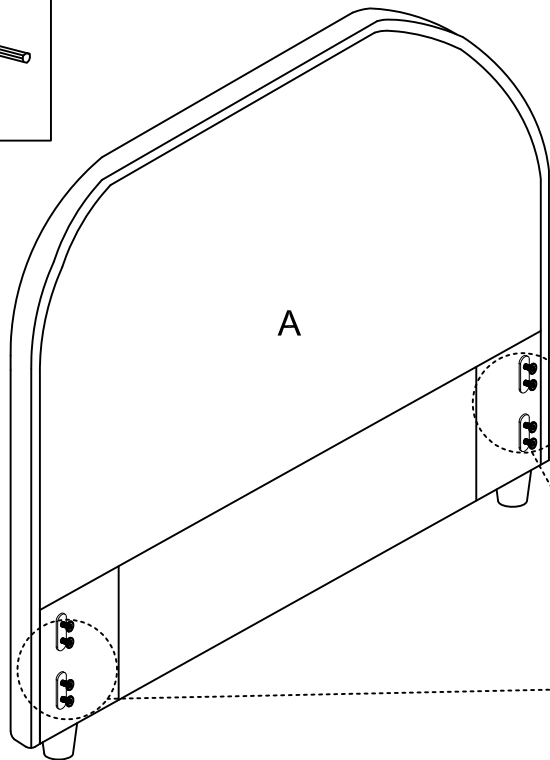
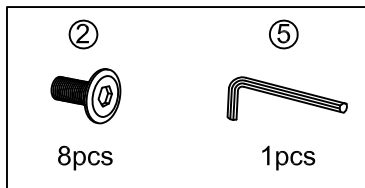
Install 2 x Feet ① on the bottom of Headboard (A), rotate the feet until they are fully tightened.

### Step 2



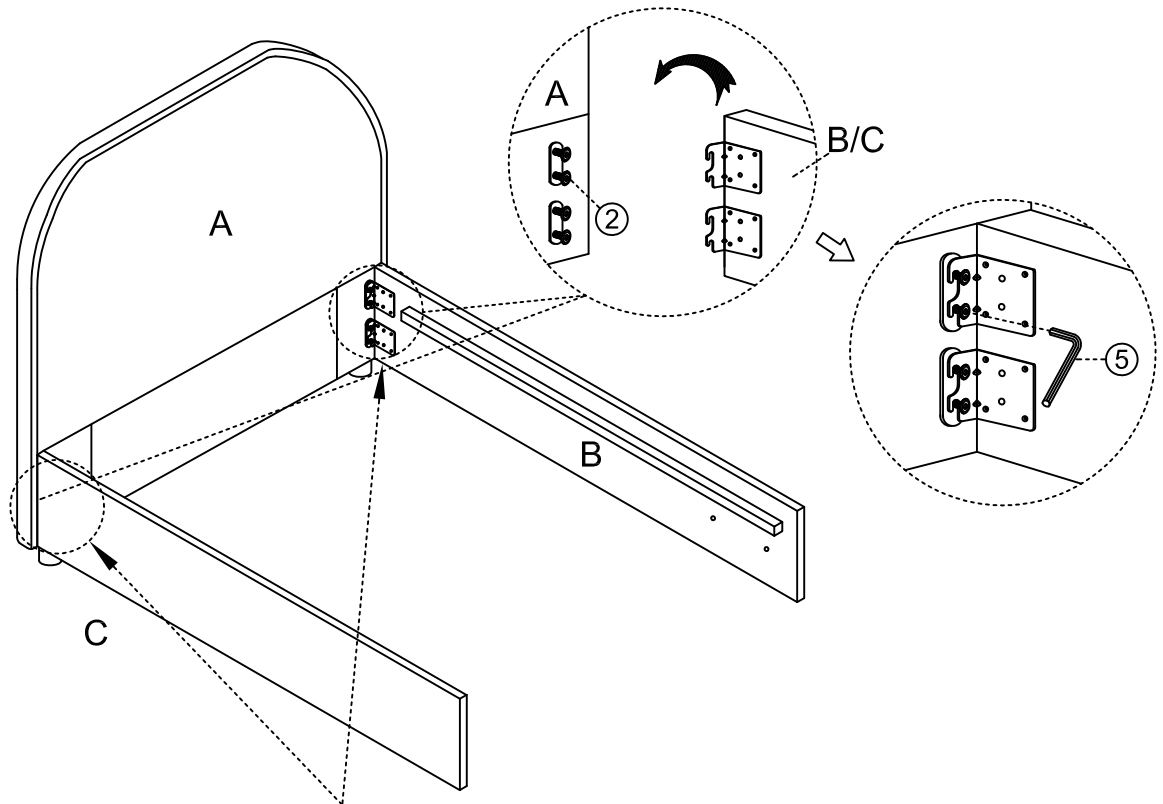
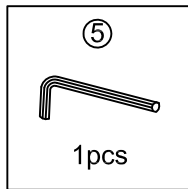
Install 4 x Feet ① on the bottom of Footboard Drawer (D) as shown, please make sure you tighten all of them.

### Step 3



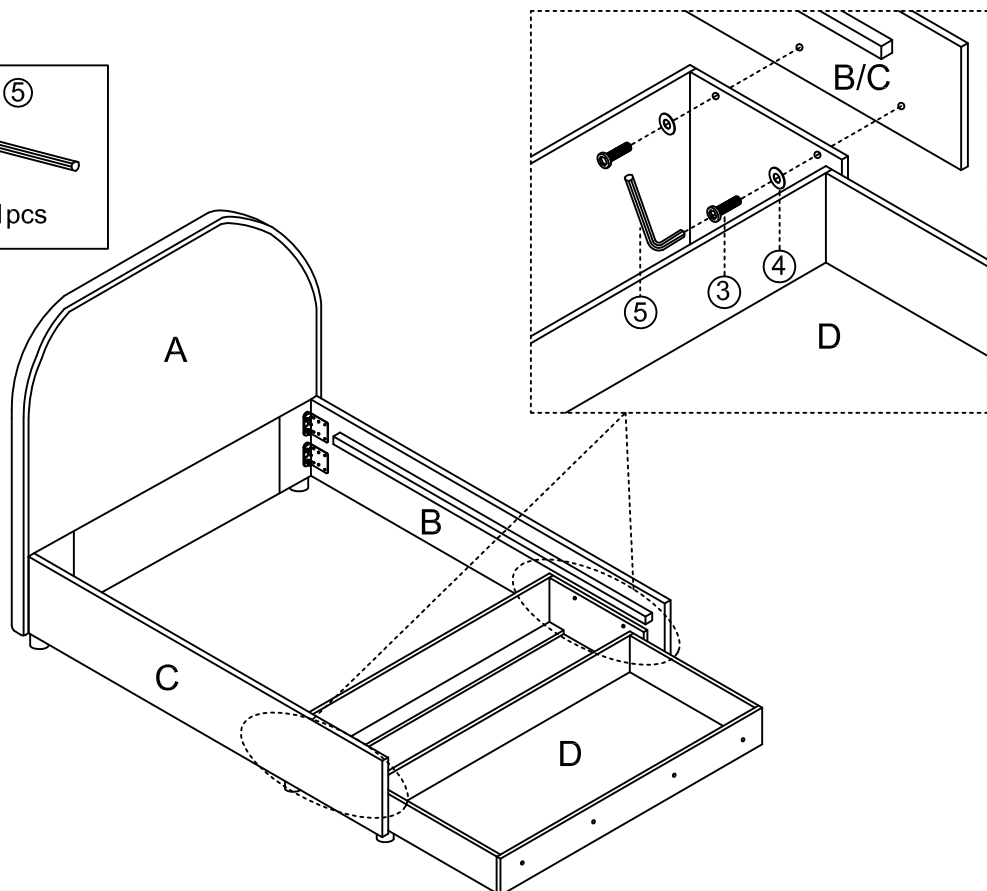
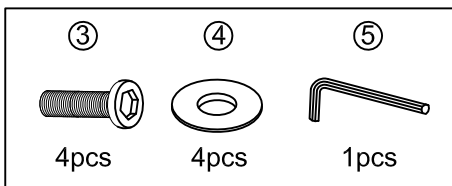
Insert 8 x Big Head Bolts ② into the brackets on the Headboard (A) and tighten two thirds of the way with Allen key ⑤ as shown.

## Step 4



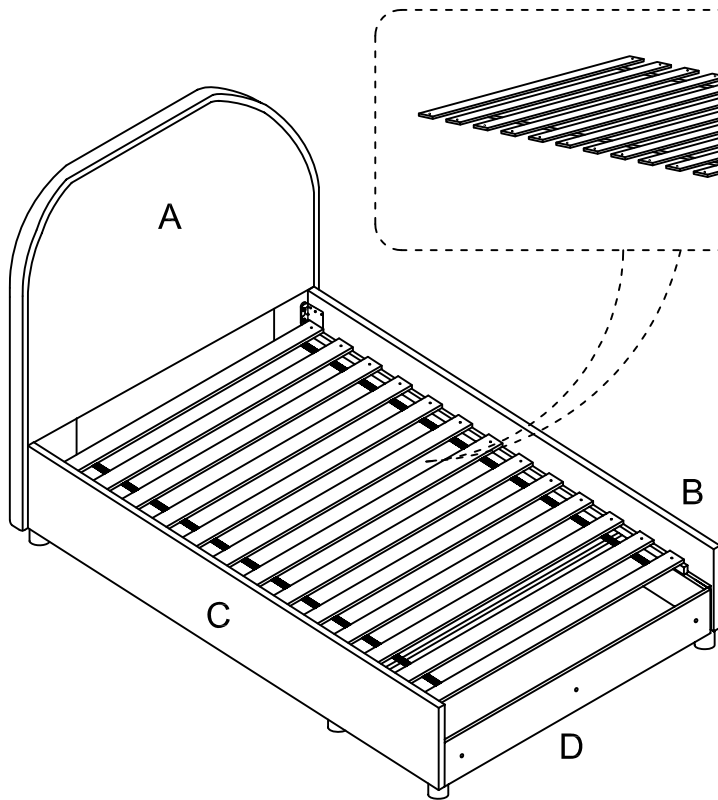
Attach 2 x Side rails (B/C) to the Headboard (A) by slotting the brackets on the Side rails (B/C) over the Big Head Bolts ② as shown. Do not fully tighten Big Head Bolts ② until Step 7.

## Step 5

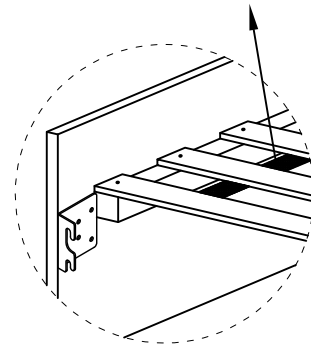


Please place Footboard Drawer (D) into the inner space as shown. Please pull out the drawer, then attach the Footboard Drawer (D) to Side Rails (B/C) with 4 x Medium Bolts ③ and 4 x Washers ④ by using Allen key ⑤. Fully tighten all the Medium Bolts ③.

Step 6

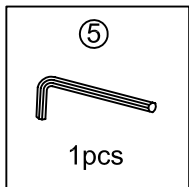


**Attention:** Please make sure the belt is underneath the slats when placing slats on the side rails.

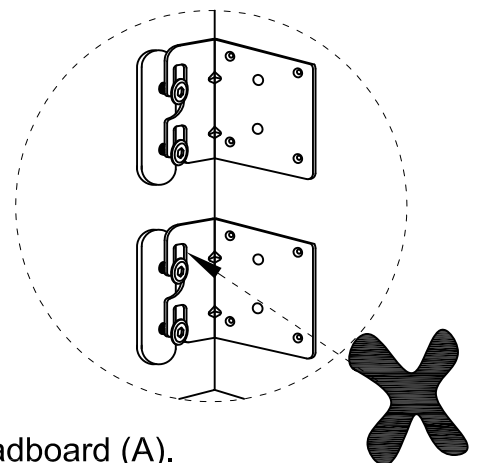
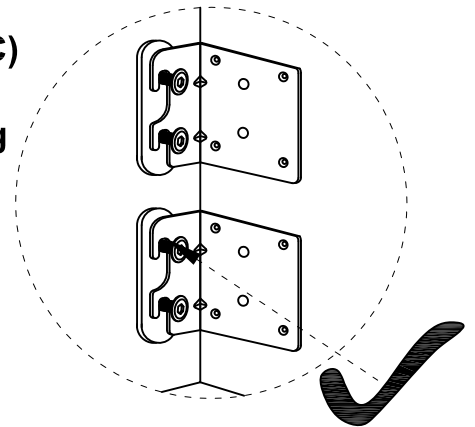
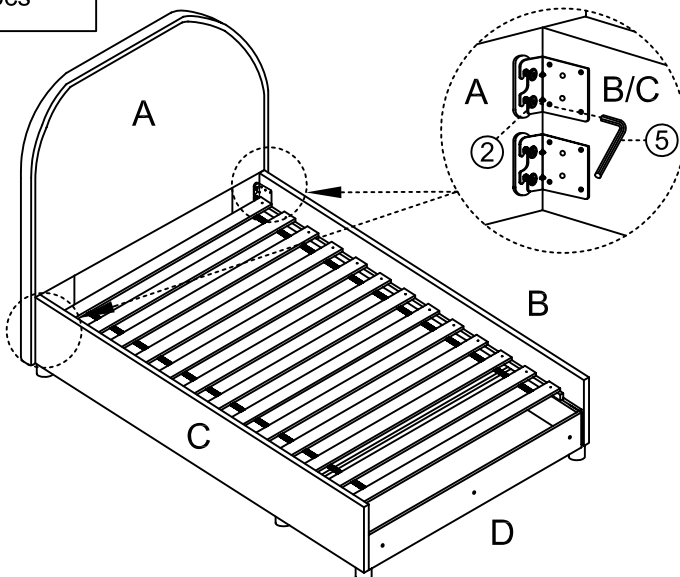


Ensure the bed inner space is square and even as shown above.  
Place the Slats (F) onto the assembled bed frame as shown.

Step 7

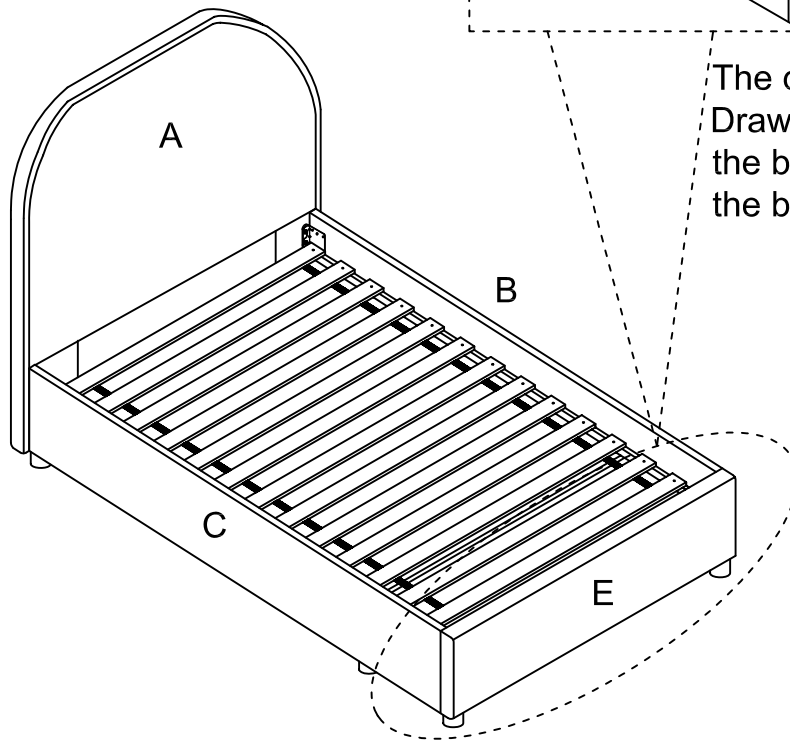
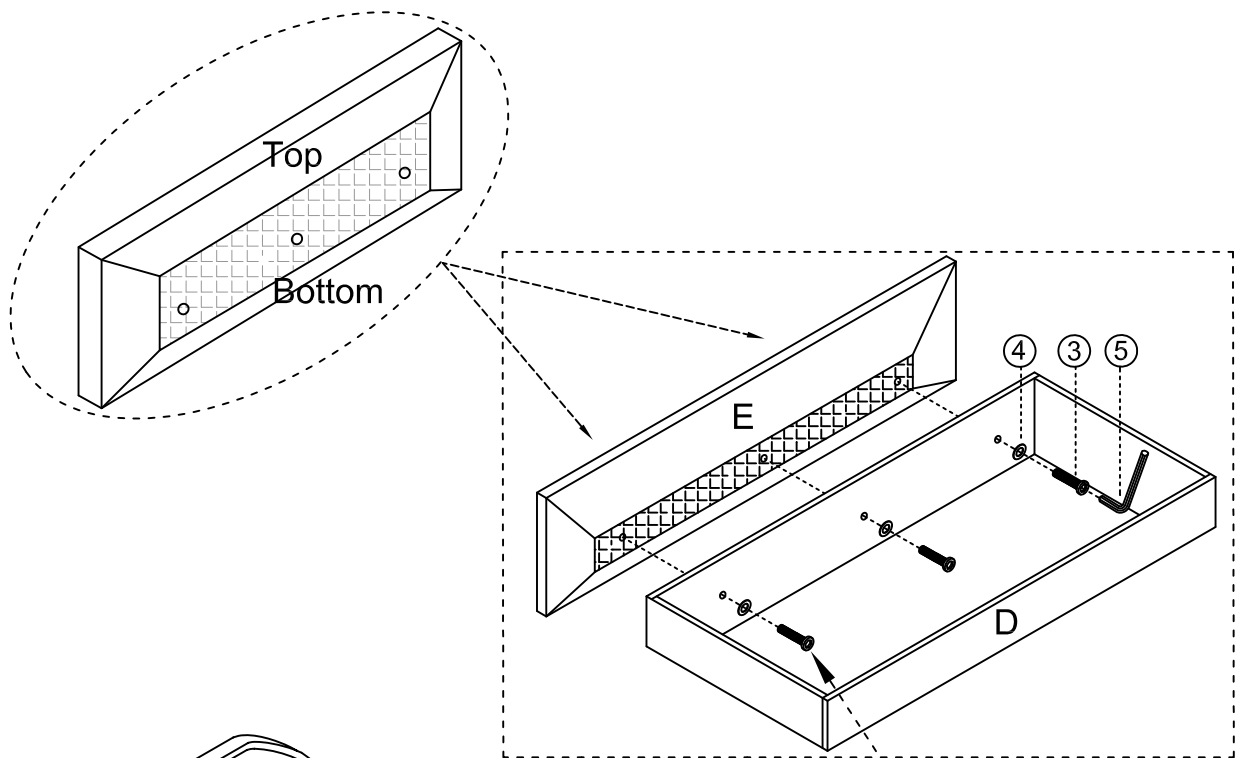
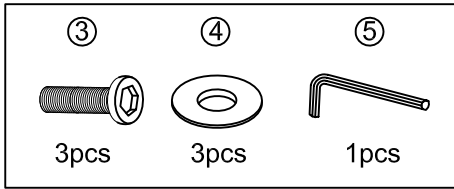


**Attention:** Please ensure the Side Rails (B/C) are fully attached to the Big Head Bolts (2) on the Headboard (A) before fully tightening the Big Head Bolts (2).



Fully tighten all the Big Head Bolts (2) on the Headboard (A).

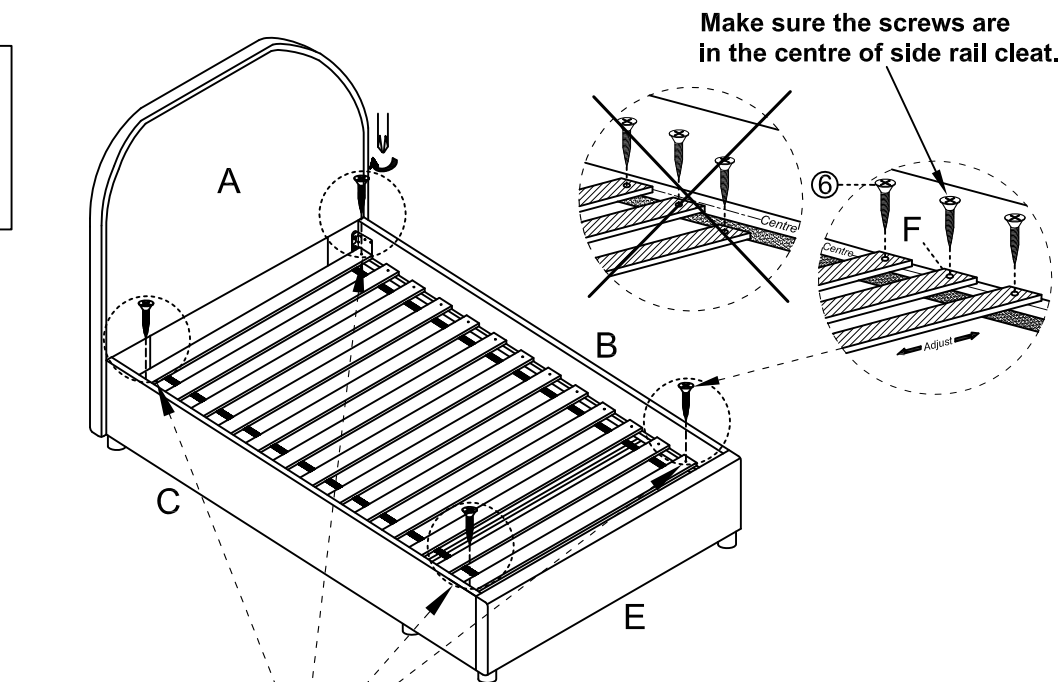
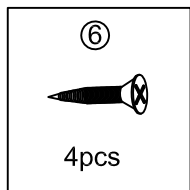
## Step 8



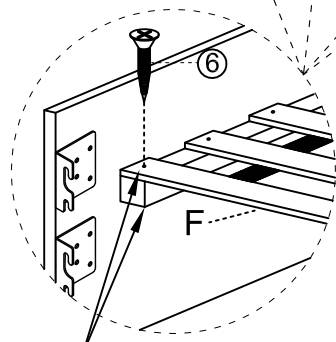
The drilled holes on Footboard Drawer (D) is a little bigger than the bolts, when assembling, the bolts can be adjusted

Attach Drawer Board (E) to Footboard Drawer (D) with 3 x Medium Bolts ③ and 3 x Washers ④. Fully tighten Medium Bolts ③.

## Step 9



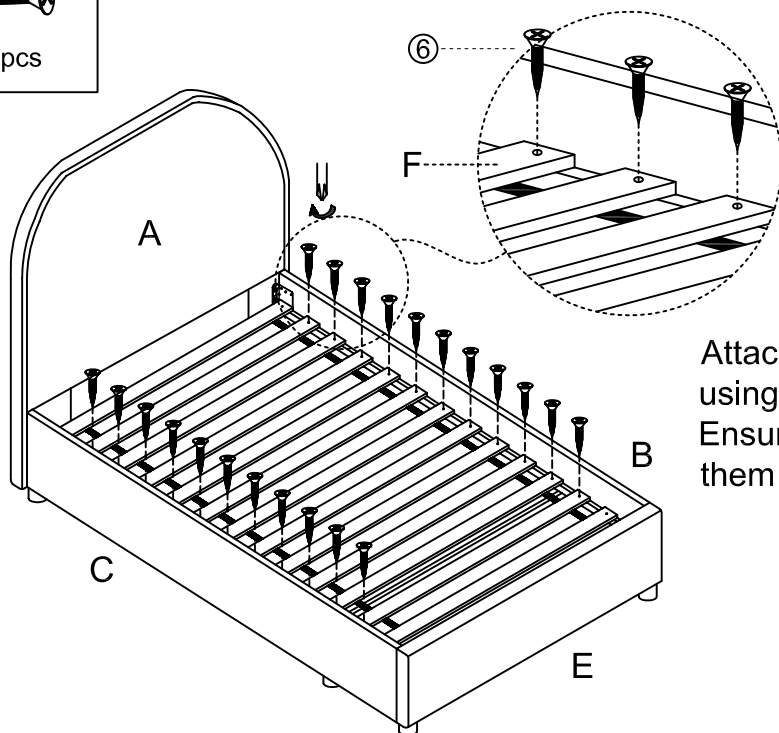
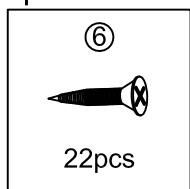
Make sure the screws are in the centre of side rail cleat.



Attach the Slats (F) to the assembled frame using 4 x Screws ⑥ as shown. Ensure the slats are centred before screwing them to the bed frame.

Make sure the two ends are aligned.

## Step 10



Attach the Slats (F) to the assembled frame using 22 x Screws ⑥ as shown. Ensure the slats are centred before screwing them to the bed frame.

REMARK : ONCE BED IS ASSEMBLED, **DO NOT** SIT, STAND OR APPLY WEIGHT DIRECTLY TO SLATS UNLESS MATTRESS IS IN PLACE.