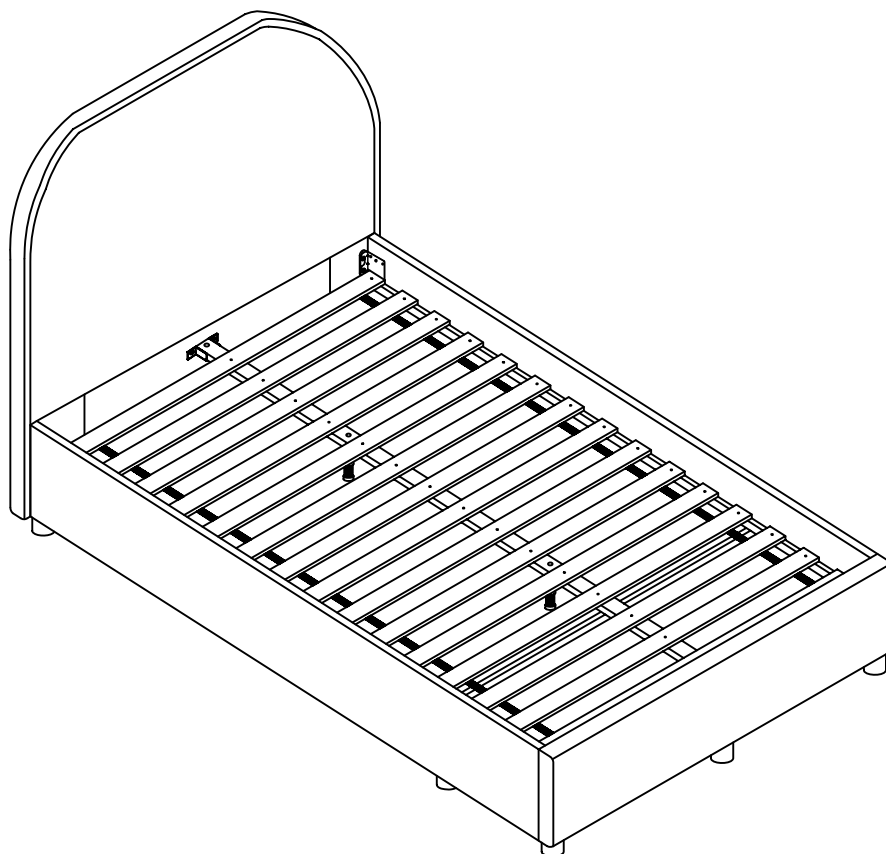


ASSEMBLY INSTRUCTIONS

60980 - Lennox King Single Bed




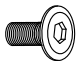
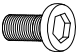
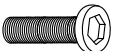
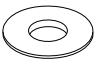
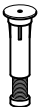
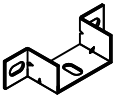

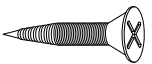
adairs kids



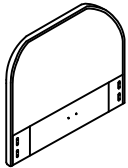


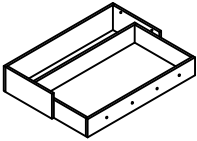
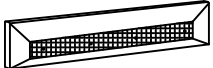

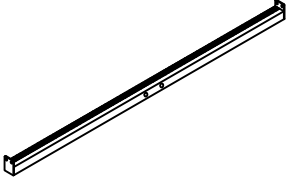

Tools Needed
2 person build



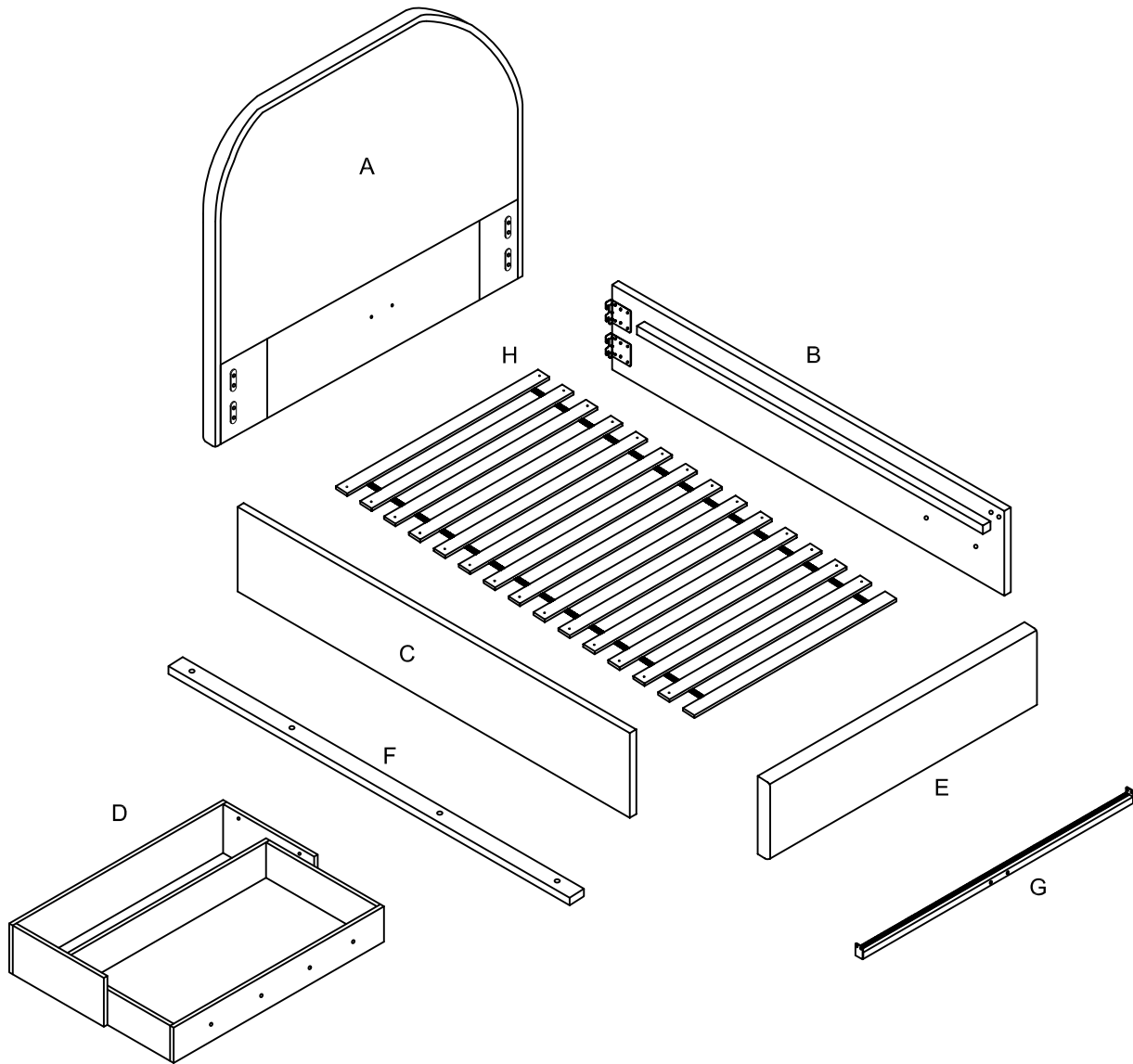
BED FITTINGS

 Foot ① X 8	 Big Head Bolts (M8*18) ② X 8	 Small Bolts (M8*25) ③ X 10	 Medium Bolts (M8*35) ④ X 10	 Washers (M8*19) ⑤ X 16
 Plastic Support Leg ⑥ X 2	 Bracket ⑦ X 2	 Allen Key (M5) ⑧ X 1	 Screws (M4*32) ⑨ X 42	

PART LIST

 Headboard A X 1	 Right Side Rail B X 1	 Left Side Rail C X 1	 Footboard Drawer D X 1
 Drawer Board E X 1	 Center Rail F X 1	 Metal Cross Bar G X 1	 Slats H X 1

Parts



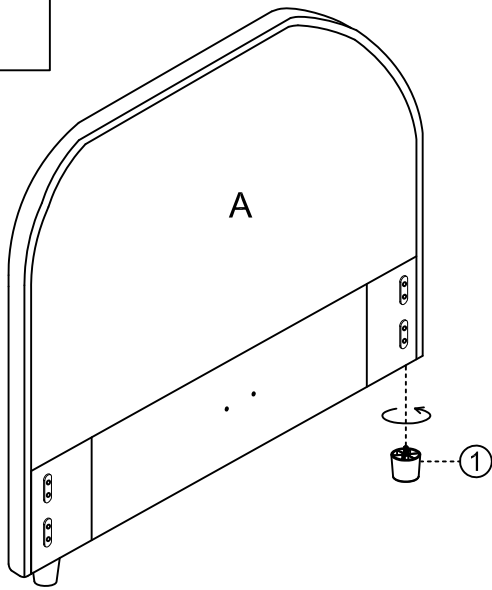
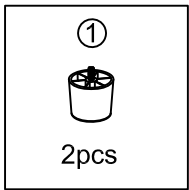
MAXIMUM WEIGHT LOAD: 396 LBS/ 180 KGS.

FOR ASSEMBLY

- First, check the content to make sure that nothing is missing.
- Sort out the parts and fittings as shown.
- Assemble the product step by step.
- It is preferable to rest the product on a soft surface to avoid damage during assembly.
- Do not overtighten screws and fittings.
- Re-tighten all screws and fittings periodically.

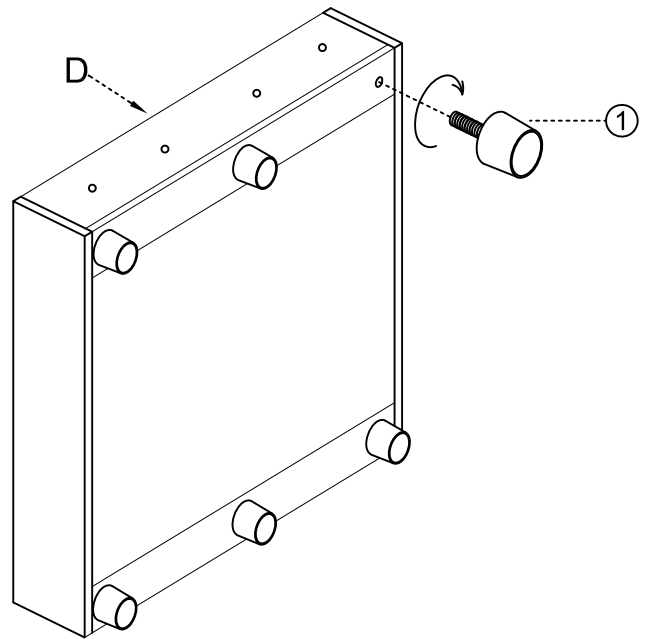
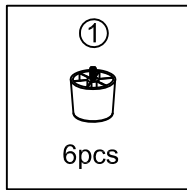
Adairs Retail Group Pty Ltd
Level 9, One Middle Road,
Chadstone, VIC, 3148
T 61 3 8888 4500
www.adairs.com.au www.adairs.co.nz

Step 1



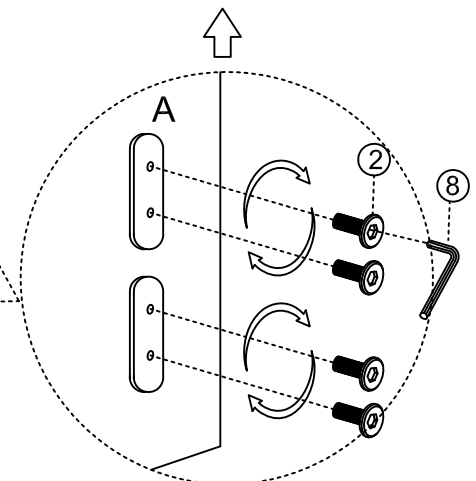
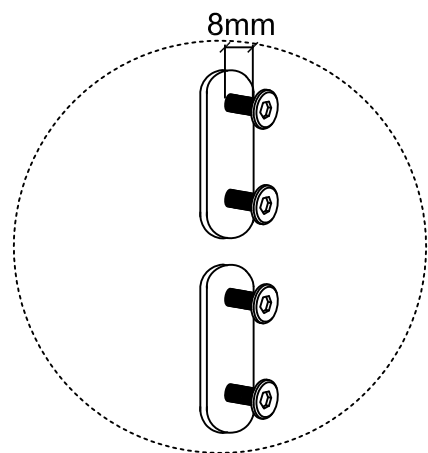
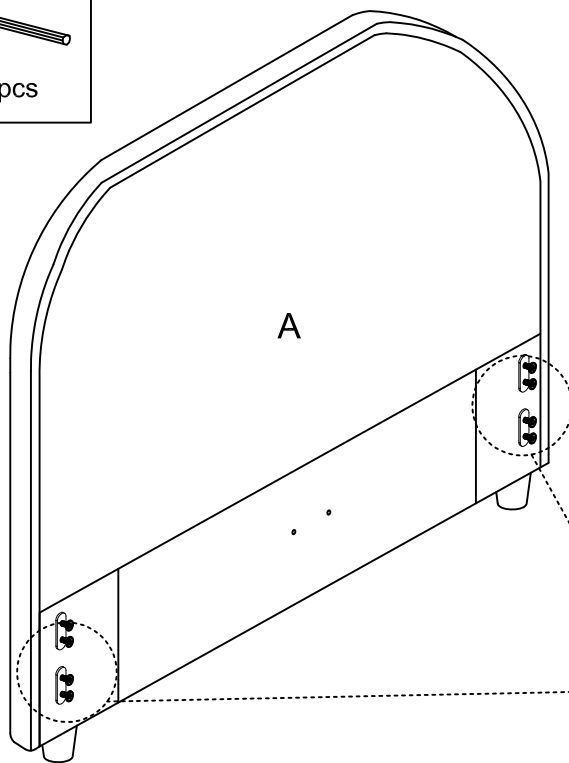
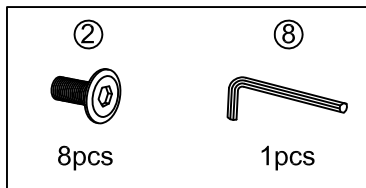
Install 2 x Feet ① on the bottom of Headboard (A), rotate the feet until they are fully tightened.

Step 2



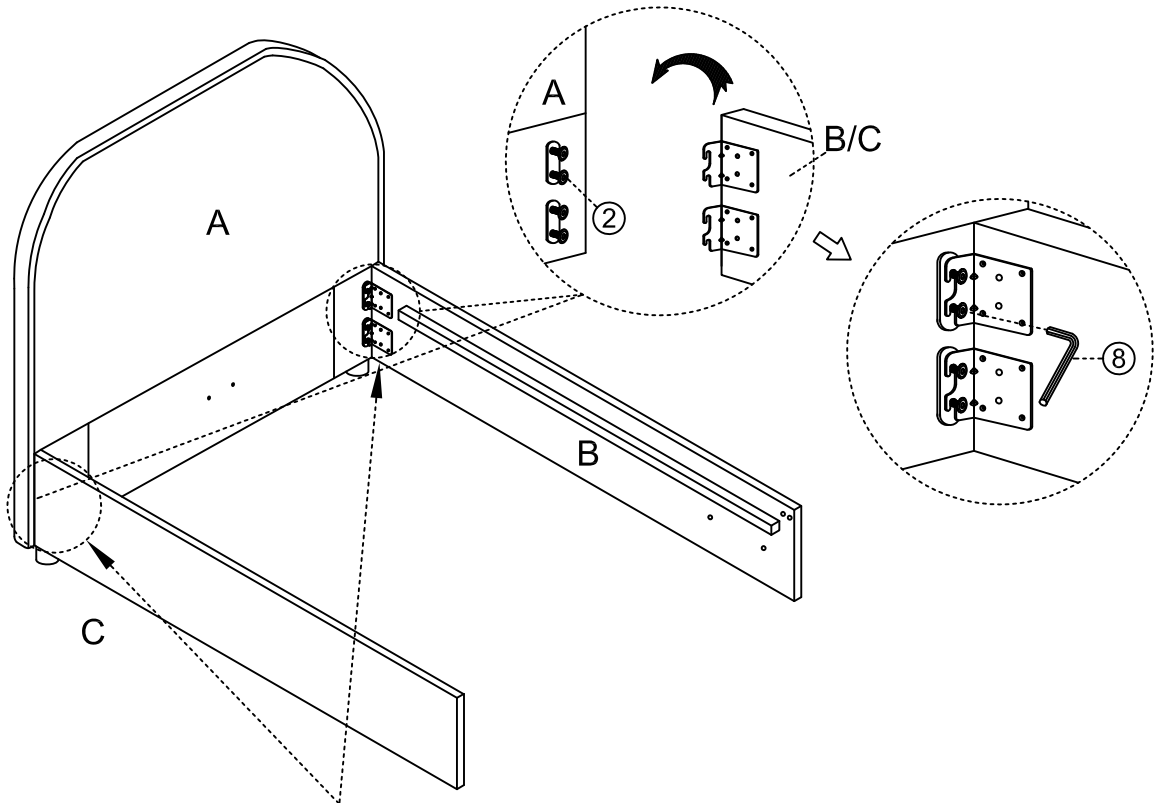
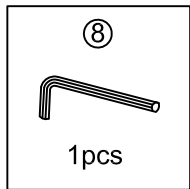
Install 6 x Feet ① on the bottom of Footboard Drawer (D) as shown, please make sure you tighten all of them.

Step 3



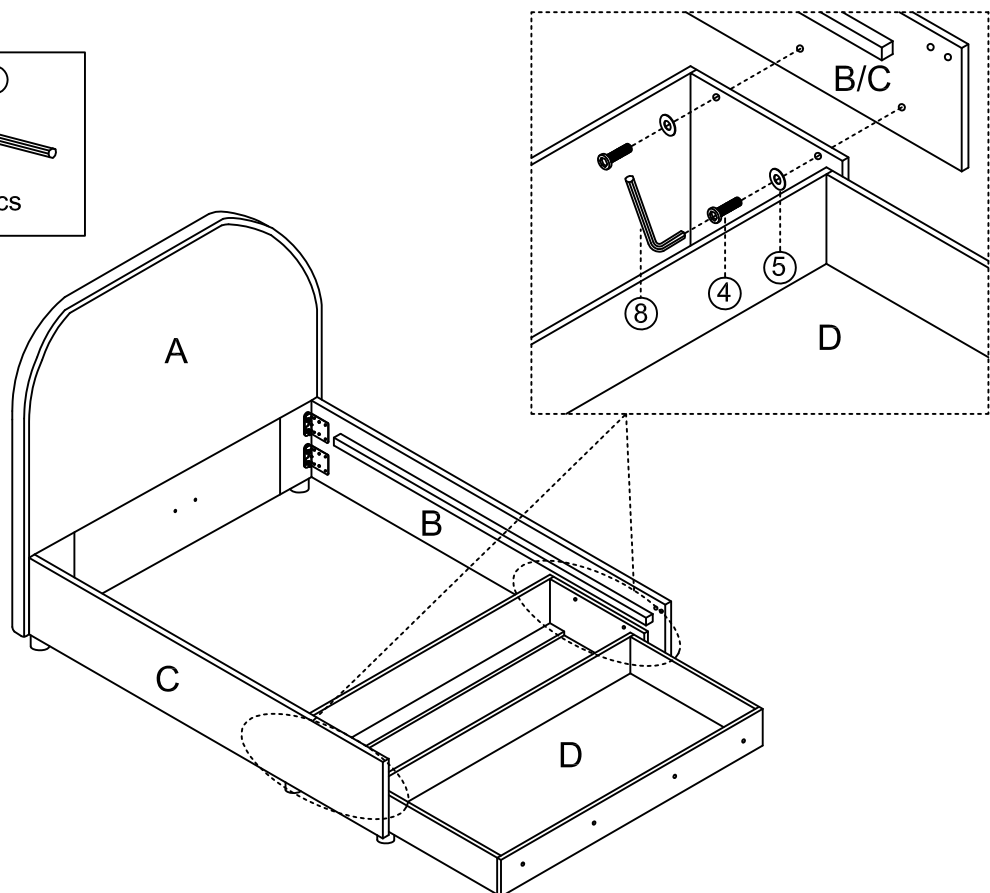
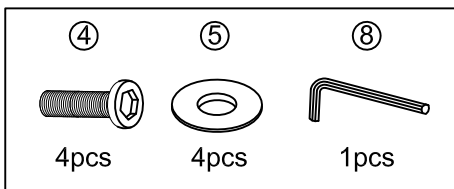
Insert 8 x Big Head Bolts ② into the brackets on the Headboard (A) and tighten two thirds of the way with Allen key ⑧ as shown.

Step 4



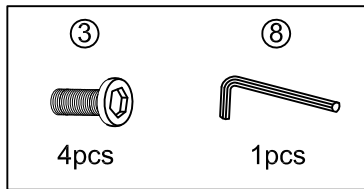
Attach 2 x Side rails (B/C) to the Headboard (A) by slotting the brackets on the Side rails (B/C) over the Big Head Bolts ② as shown. Do not fully tighten Big Head Bolts ② until Step 10.

Step 5



Please place Footboard Drawer (D) into the inner space as shown. Please pull out the drawer, then attach the Footboard Drawer (D) to Side Rails (B/C) with 4 x Medium Bolts ④ and 4 x Washers ⑤ by using Allen key ⑧. Please do not fully tighten Medium Bolts ④ until Step 6.

Step 6



4pcs

1pcs

3

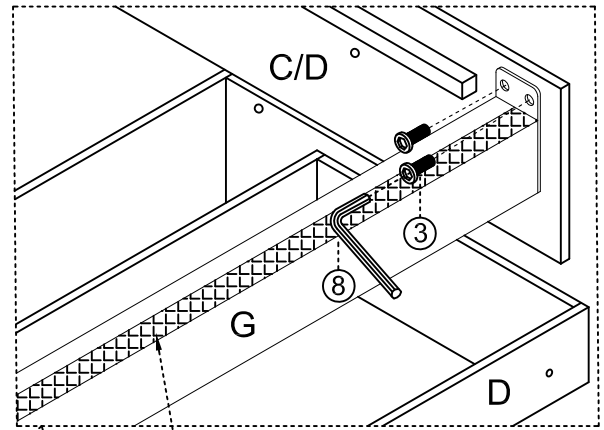
8

A

B

C

D



C/D

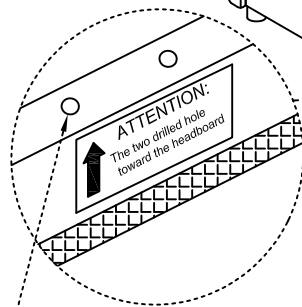
G

3

8

D

The side with sticker face up.



Attention:

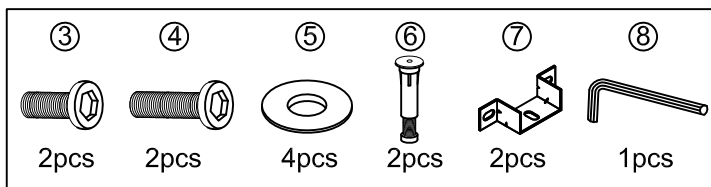
The two drilled holes on Metal Cross Bar (G) is to connect Center Rail (F).

Attach Metal Cross Bar (G) to the Side Rails (B/C) with 4 x Small Bolts (3)

by using Allen key (8). Please fully tighten all the 4 x Small Bolts (3) at this Step.

Then fully tighten all the 4 x Medium Bolts (4) on the Footboard Drawer (D).

Step 7



2pcs

2pcs

4pcs

2pcs

2pcs

1pcs

Make sure the ends are aligned

F

8

4

5

6

7

Adjust Bracket this way

Adjust Bracket this way

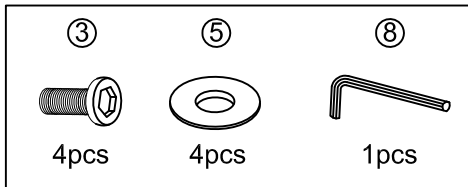
5

3

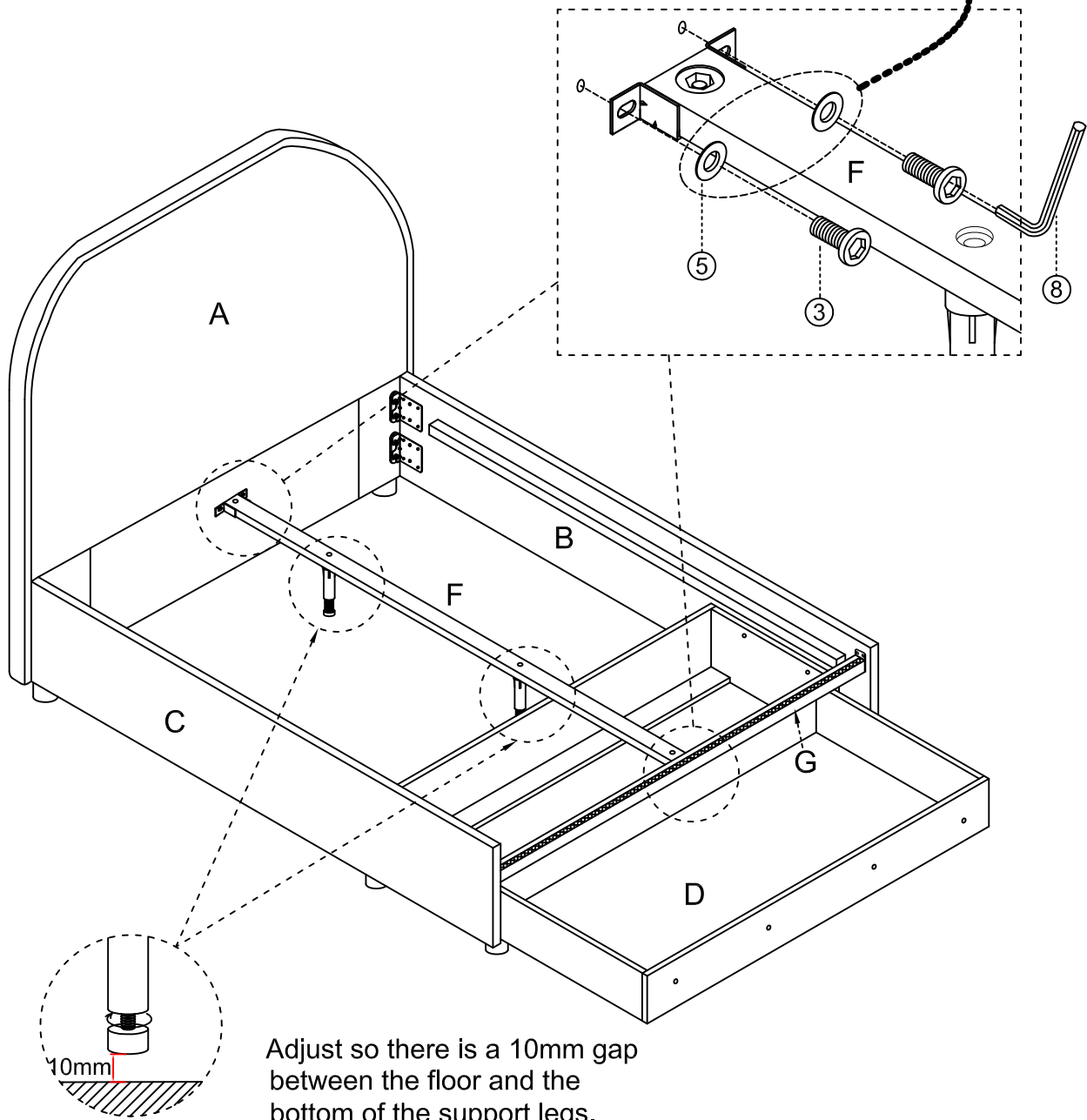
8

Countersunk holes should face up

Step 8

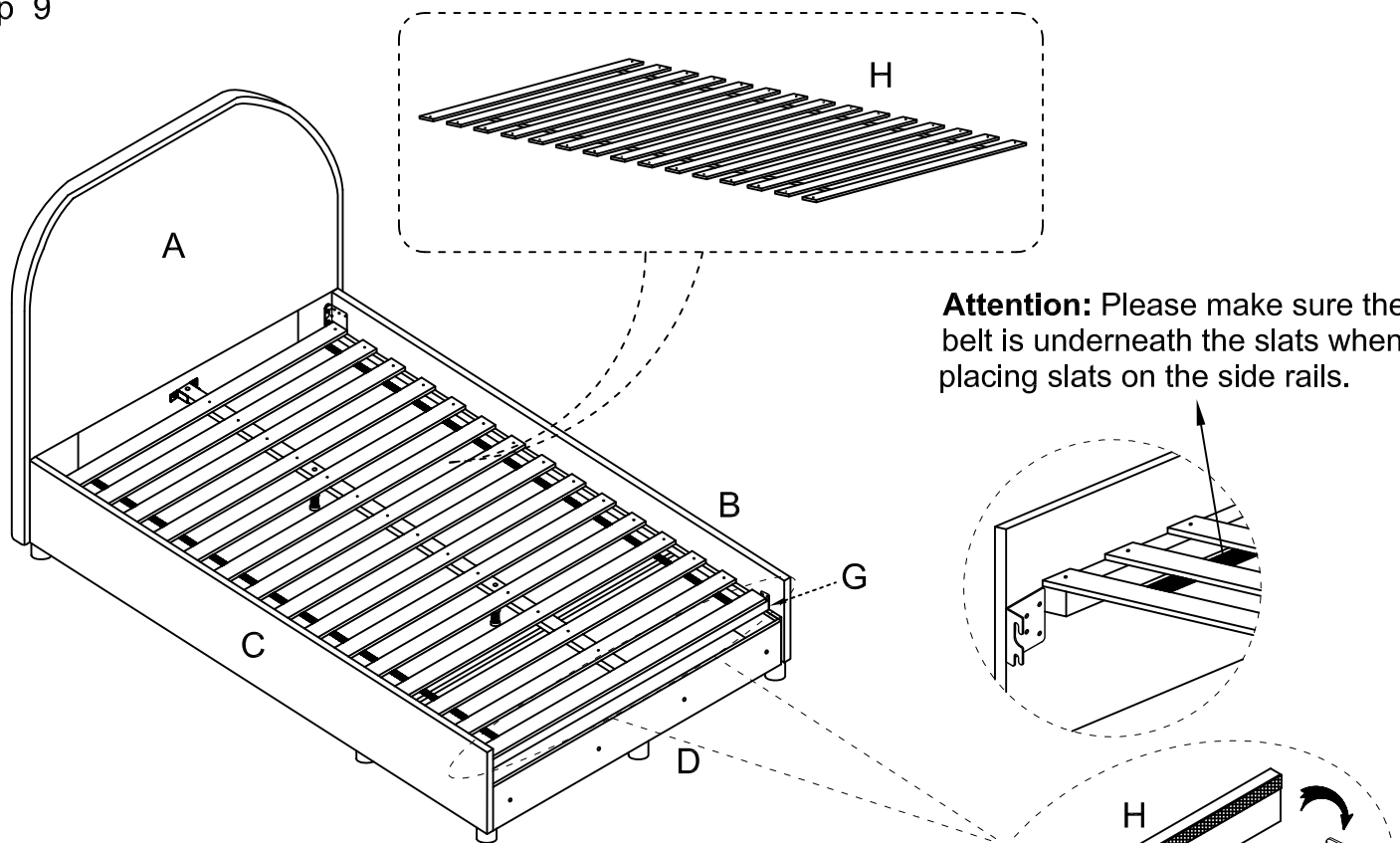


You must use.



Slot the Center Rail (F) into the Headboard (A) and Metal Cross Bar (G) as shown. Secure using 4 x Small Bolts ③ and 4 x Washers ⑤, fully tightening with Allen Key ⑧ (You MUST use the Washers).

Step 9

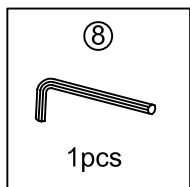


Attention: Please make sure the belt is underneath the slats when placing slats on the side rails.

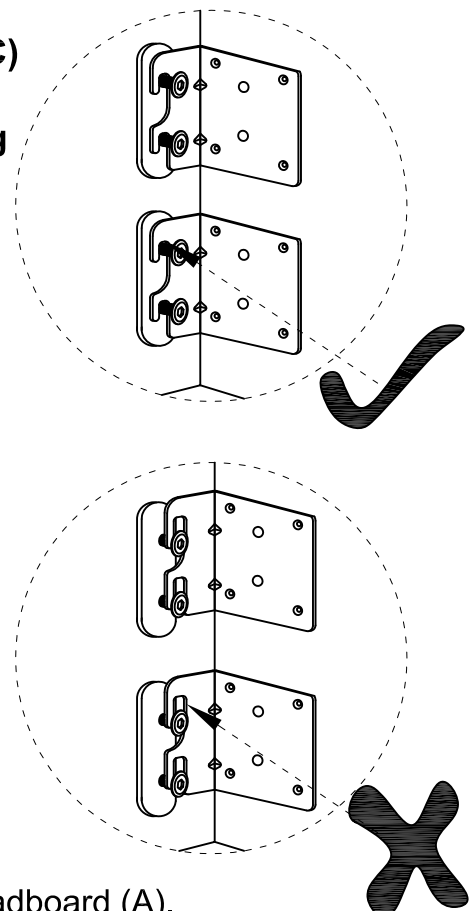
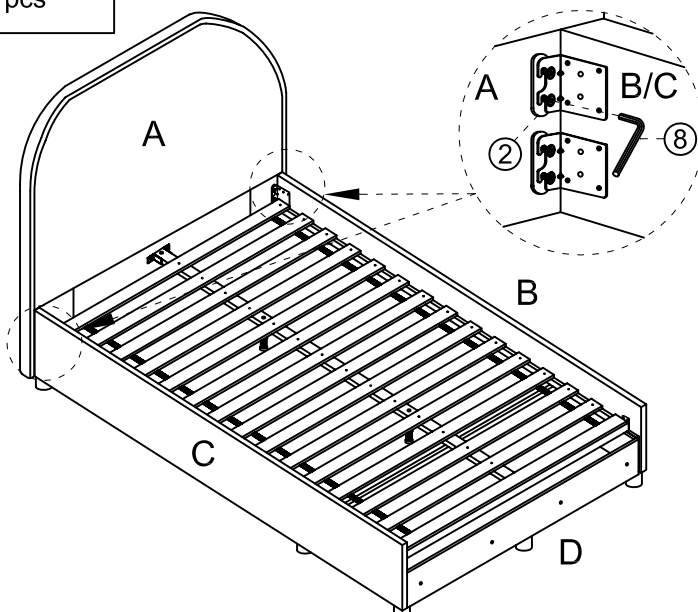
Ensure the bed inner space is square and even as shown above. Place the Slats (H) onto the assembled bed frame as shown.

Attention: Please make sure the slat with velcro underneath to be on the top of Metal Cross Bar (G). Make sure it velcro to the Metal Cross Bar (G).

Step 10

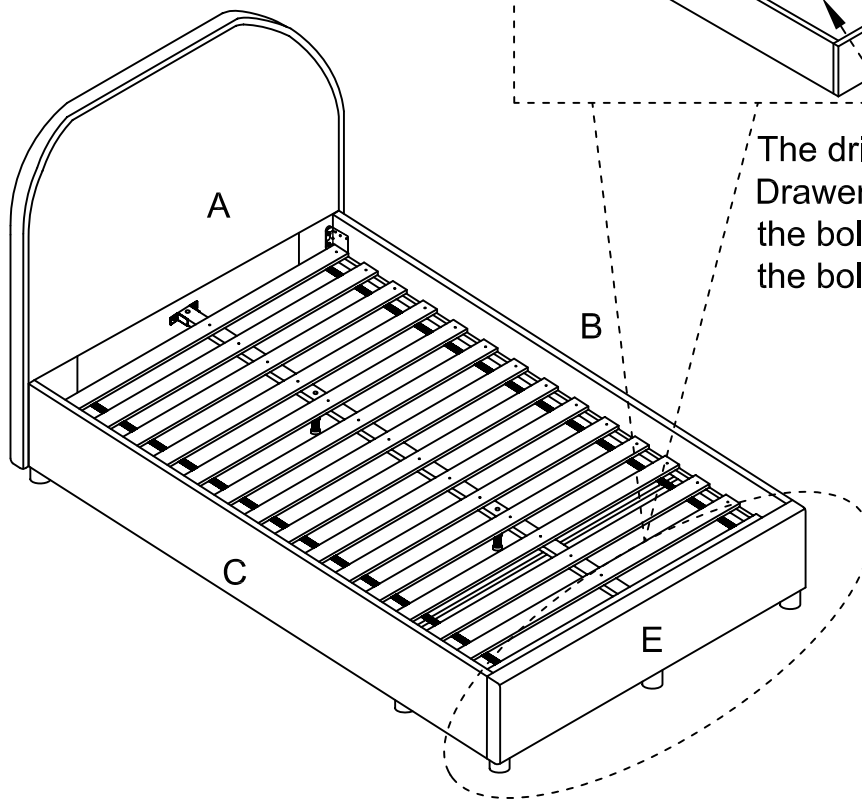
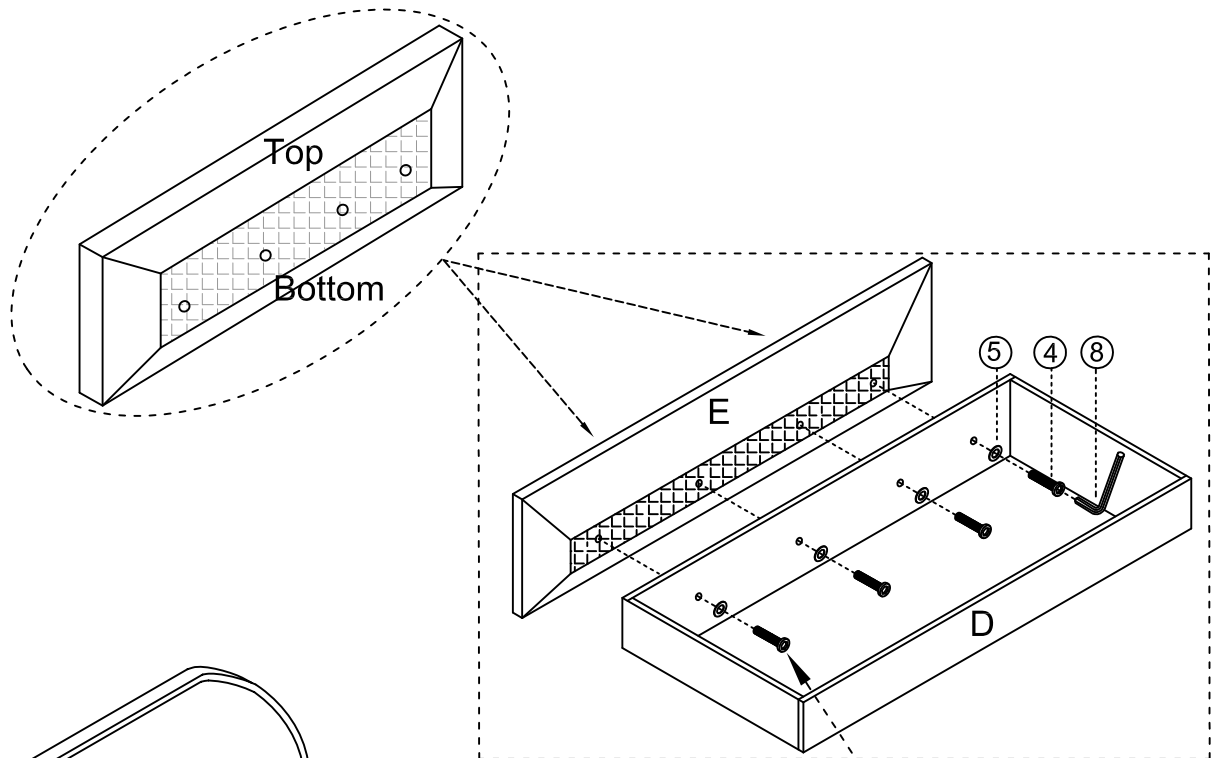
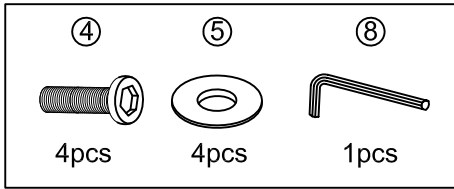


Attention: Please ensure the Side Rails (B/C) are fully attached to the Big Head Bolts (2) on the Headboard (A) before fully tightening the Big Head Bolts (2).



Fully tighten all the Big Head Bolts (2) on the Headboard (A).

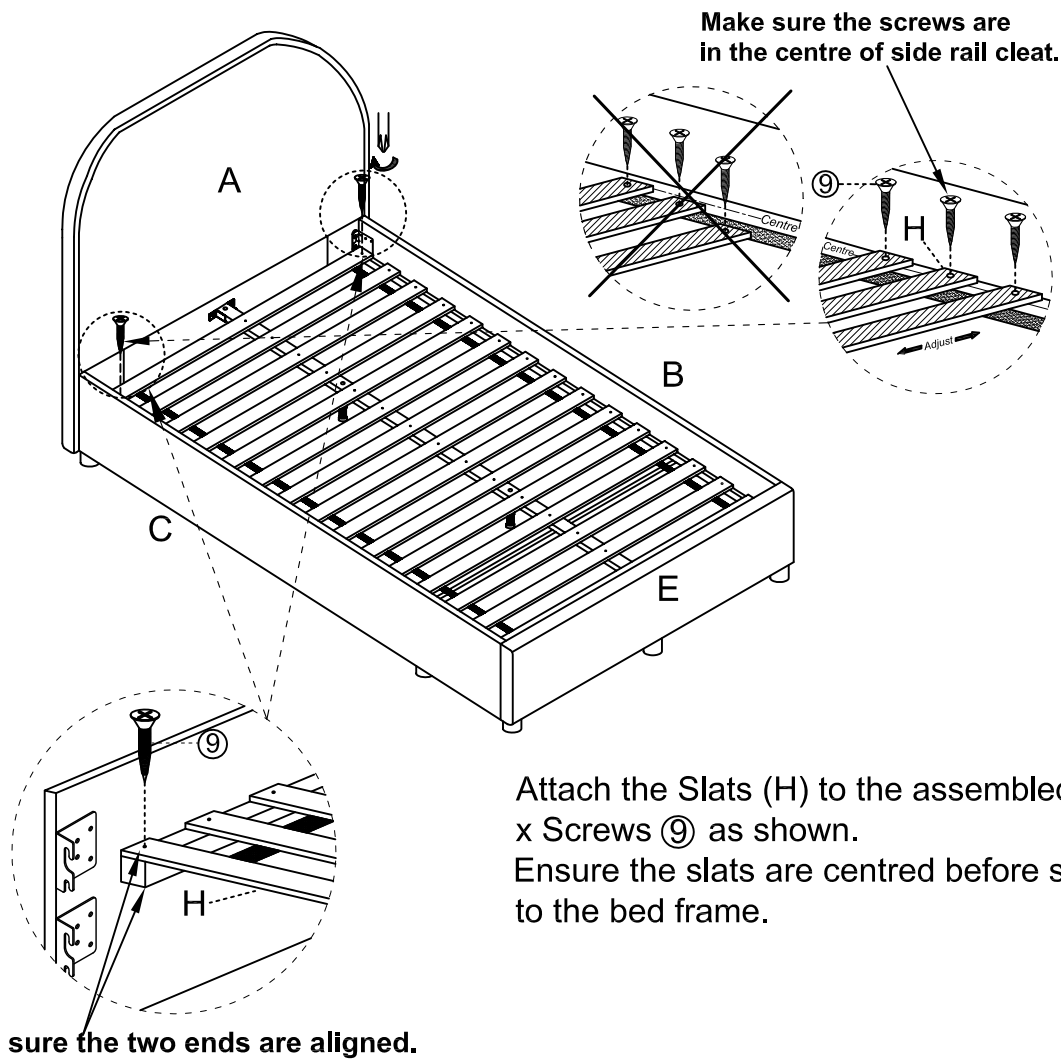
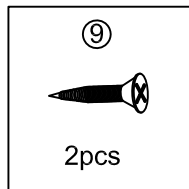
Step 11



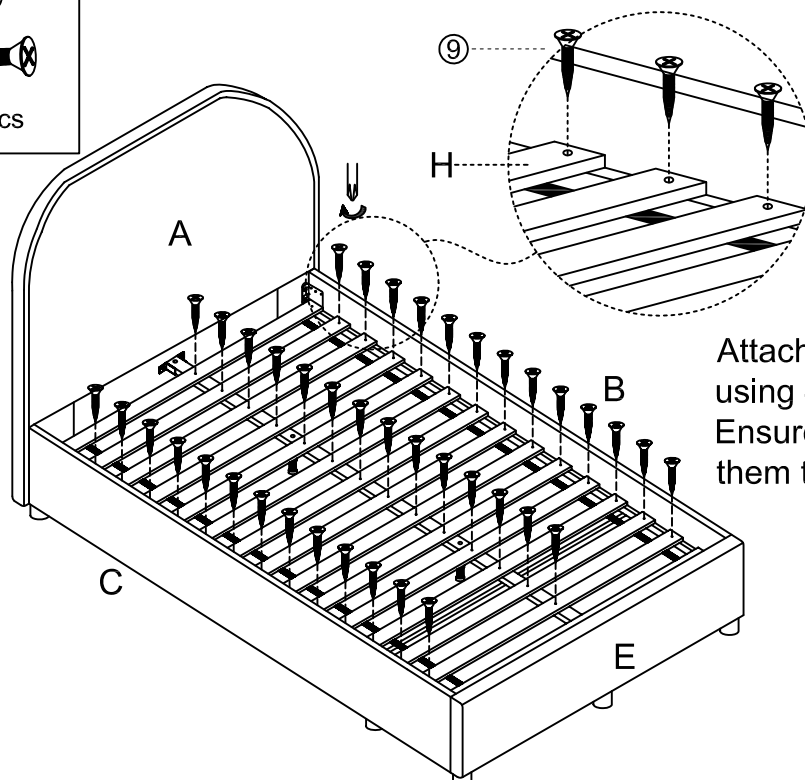
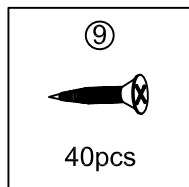
The drilled holes on Footboard Drawer (D) is a little bigger than the bolts, when assembling, the bolts can be adjusted

Attach Drawer Board (E) to Footboard Drawer (D) with 4 x Medium Bolts ④ and 4 x Washers ⑤. Fully tighten Medium Bolts ④.

Step 12



Step 13



REMARK : ONCE BED IS ASSEMBLED, **DO NOT** SIT, STAND OR APPLY WEIGHT DIRECTLY TO SLATS UNLESS MATTRESS IS IN PLACE.