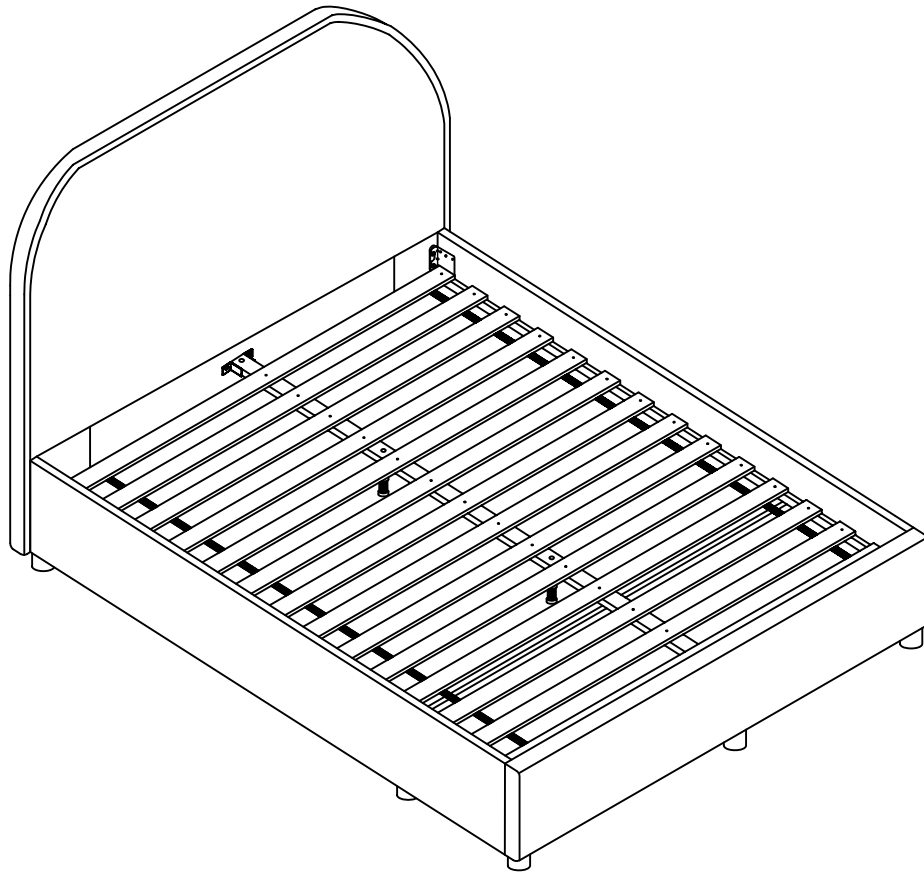


ASSEMBLY INSTRUCTIONS

60980 - Lennox Double Bed




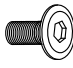
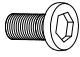
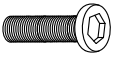
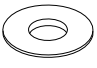

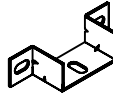
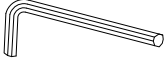
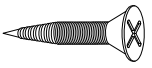
adairs kids



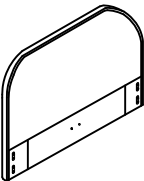


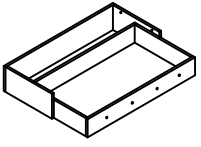
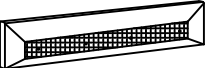

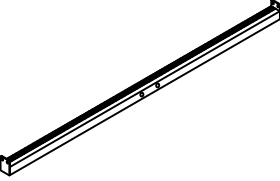

Tools Needed
2 person build



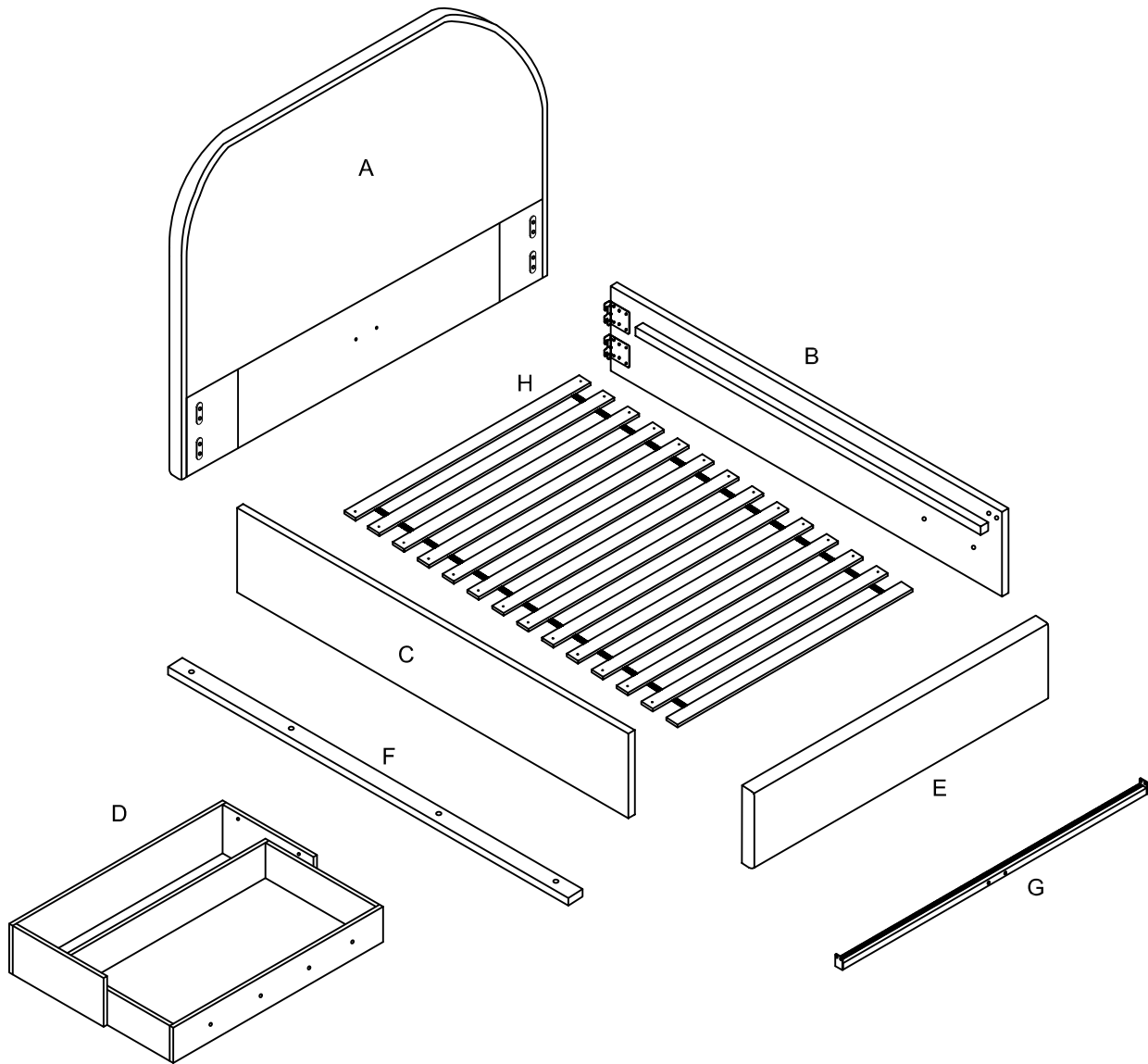
BED FITTINGS

 Foot ① X 8	 Big Head Bolts (M8*18) ② X 8	 Small Bolts (M8*25) ③ X 10	 Medium Bolts (M8*35) ④ X 10	 Washers (M8*19) ⑤ X 16
 Plastic Support Leg ⑥ X 2	 Bracket ⑦ X 2	 Allen Key (M5) ⑧ X 1	 Screws (M4*32) ⑨ X 39	

PART LIST

 Headboard A X 1	 Right Side Rail B X 1	 Left Side Rail C X 1	 Footboard Drawer D X 1
 Drawer Board E X 1	 Center Rail F X 1	 Metal Cross Bar G X 1	 Slats H X 1

Parts



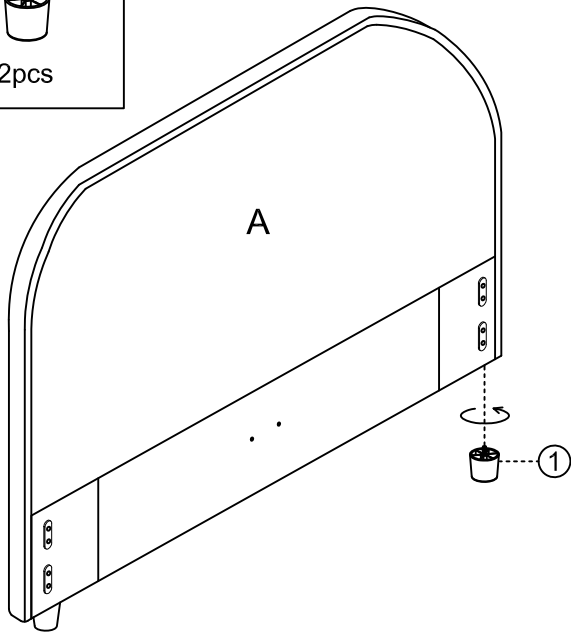
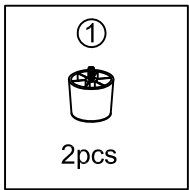
MAXIMUM WEIGHT LOAD: 396 LBS/ 180 KGS.

FOR ASSEMBLY

- First, check the content to make sure that nothing is missing.
- Sort out the parts and fittings as shown.
- Assemble the product step by step.
- It is preferable to rest the product on a soft surface to avoid damage during assembly.
- Do not overtighten screws and fittings.
- Re-tighten all screws and fittings periodically.

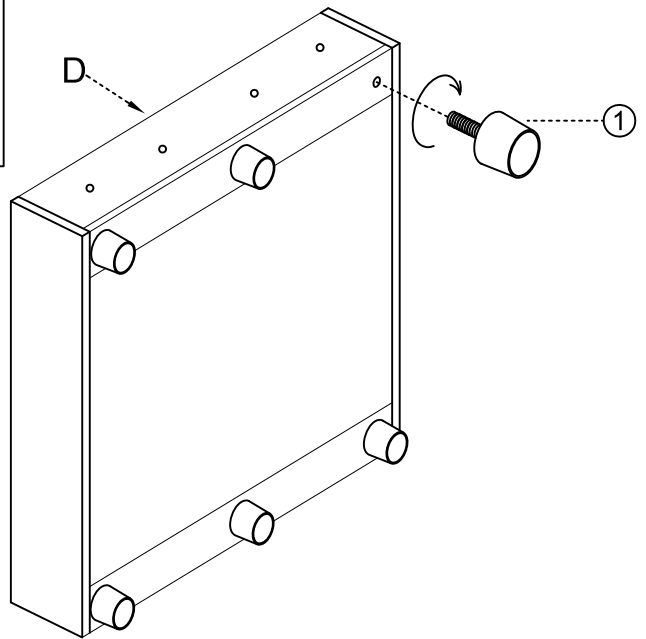
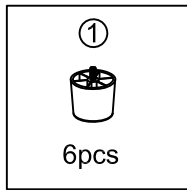
Adairs Retail Group Pty Ltd
Level 9, One Middle Road,
Chadstone, VIC, 3148
T 61 3 8888 4500
www.adairs.com.au www.adairs.co.nz

Step 1



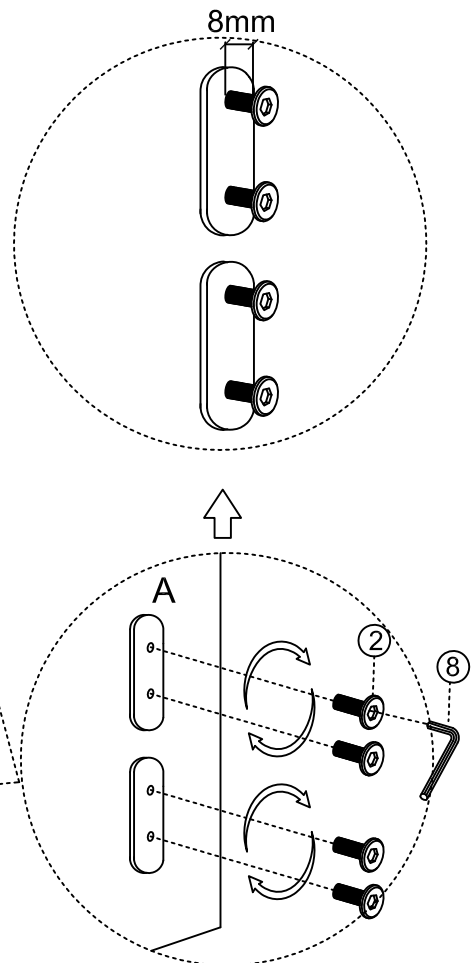
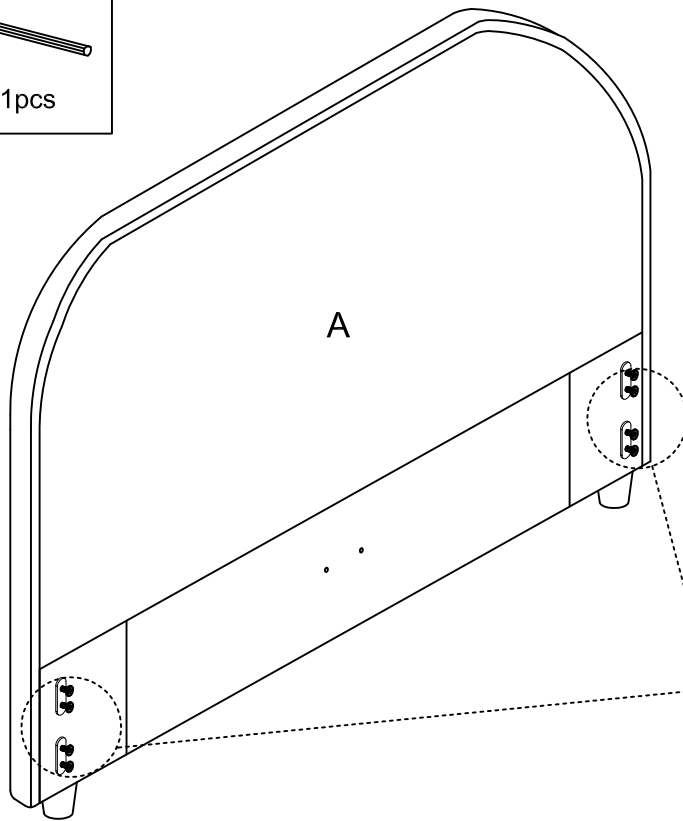
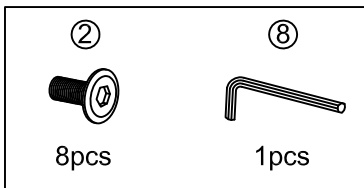
Install 2 x Feet ① on the bottom of Headboard (A), rotate the feet until they are fully tightened.

Step 2



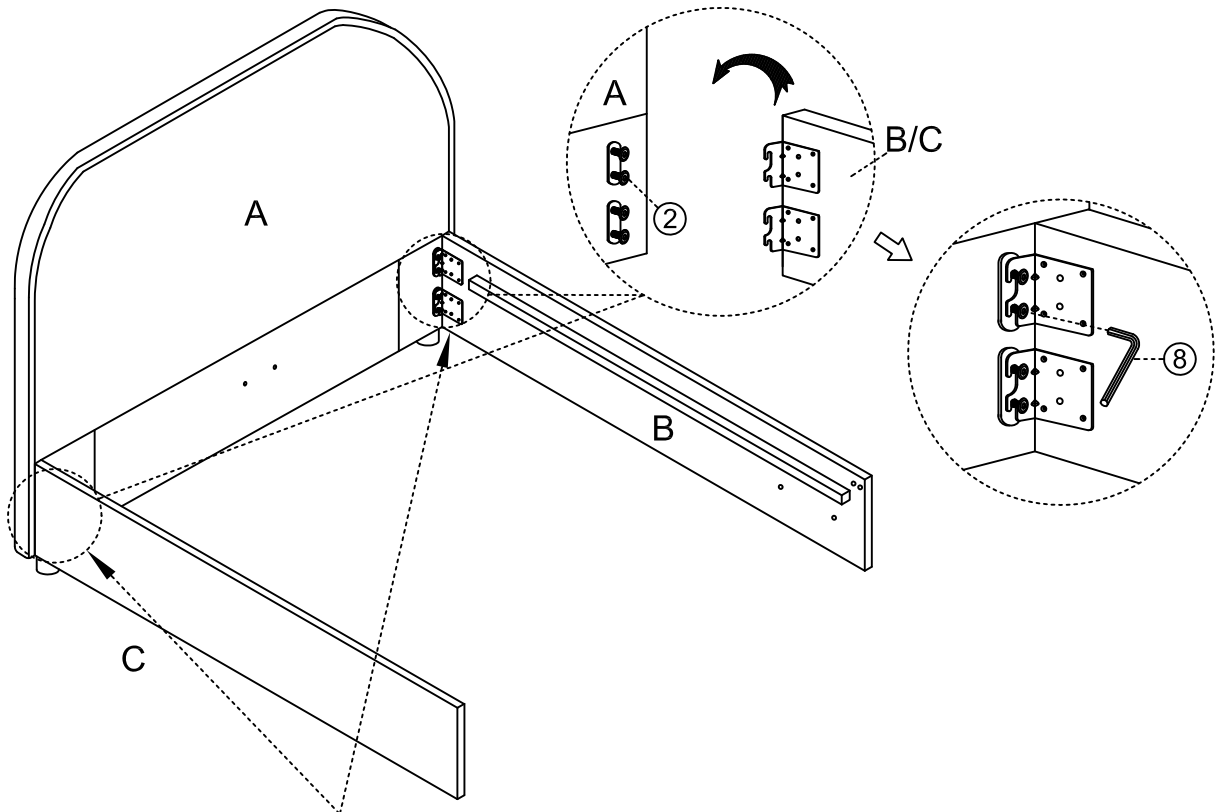
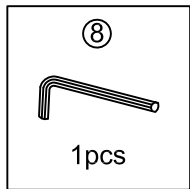
Install 6 x Feet ① on the bottom of Footboard Drawer (D) as shown, please make sure you tighten all of them.

Step 3



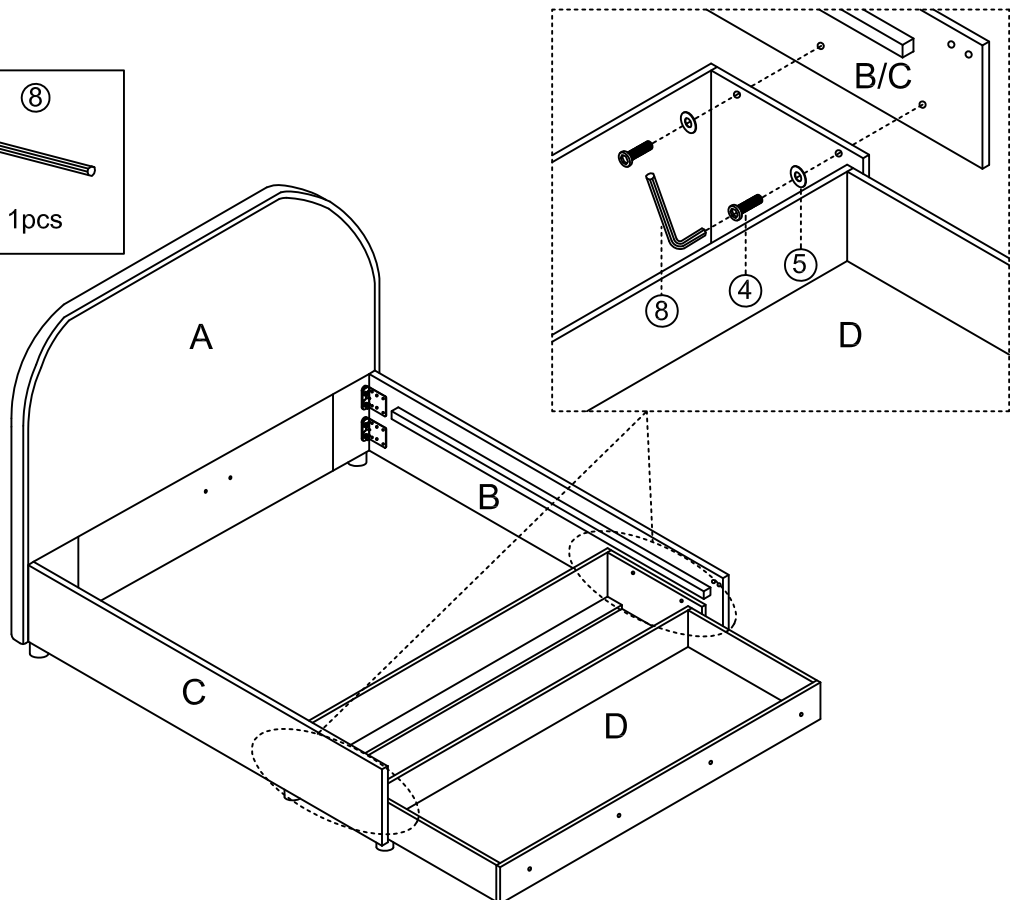
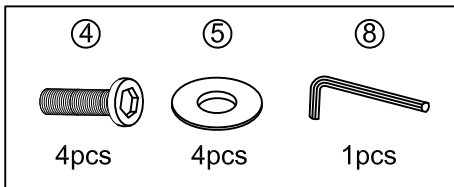
Insert 8 x Big Head Bolts ② into the brackets on the Headboard (A) and tighten two thirds of the way with Allen key ⑧ as shown.

Step 4



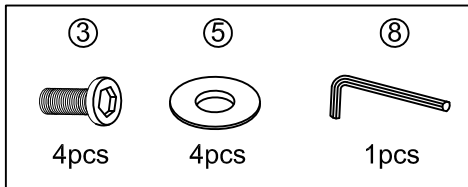
Attach 2 x Side rails (B/C) to the Headboard (A) by slotting the brackets on the Side rails (B/C) over the Big Head Bolts ② as shown. Do not fully tighten Big Head Bolts ② until Step 10.

Step 5

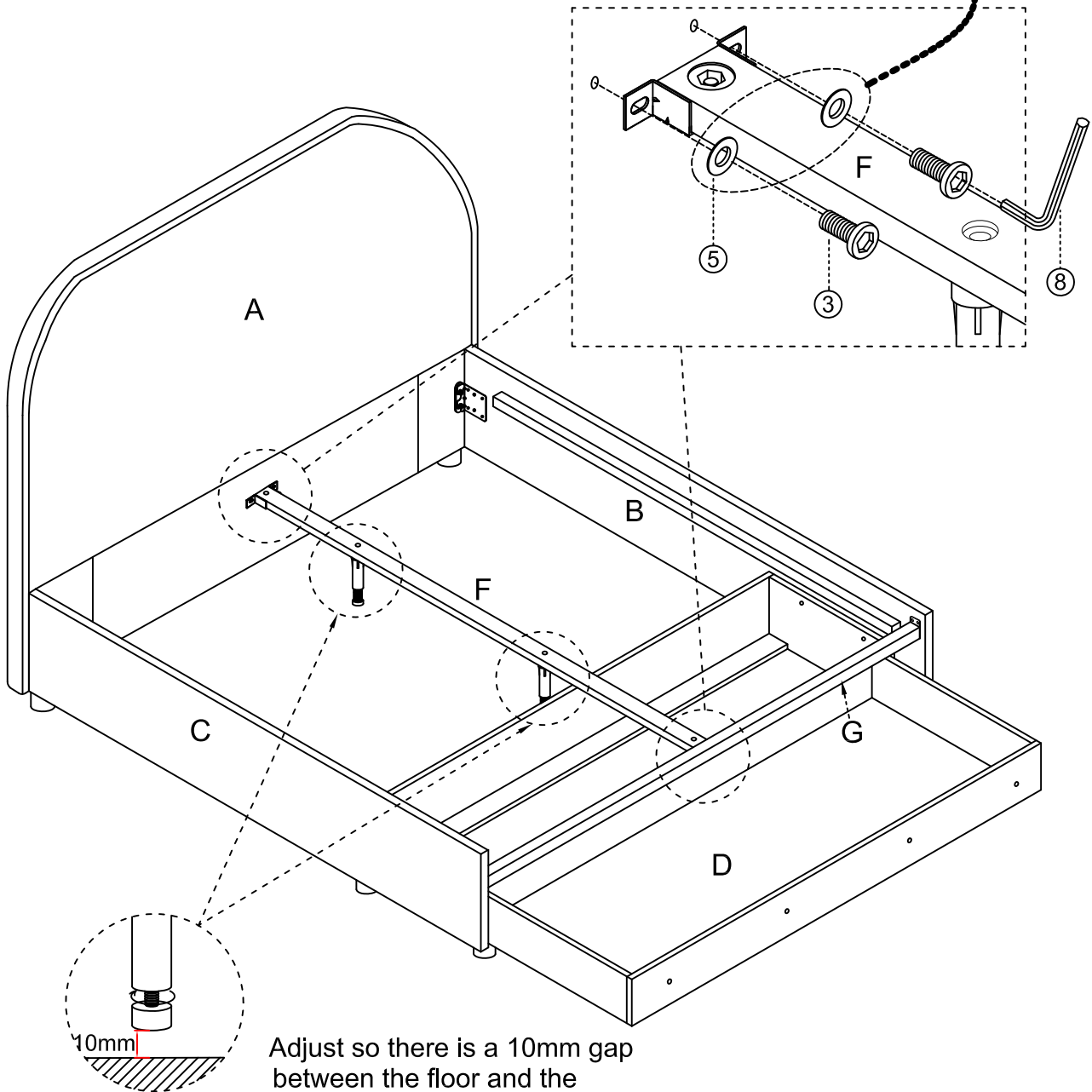


Please place Footboard Drawer (D) into the inner space as shown. Please pull out the drawer, then attach the Footboard Drawer (D) to Side Rails (B/C) with 4 x Medium Bolts ④ and 4 x Washers ⑤ by using Allen key ⑧. Please do not fully tighten Medium Bolts ④ until Step 6.

Step 8



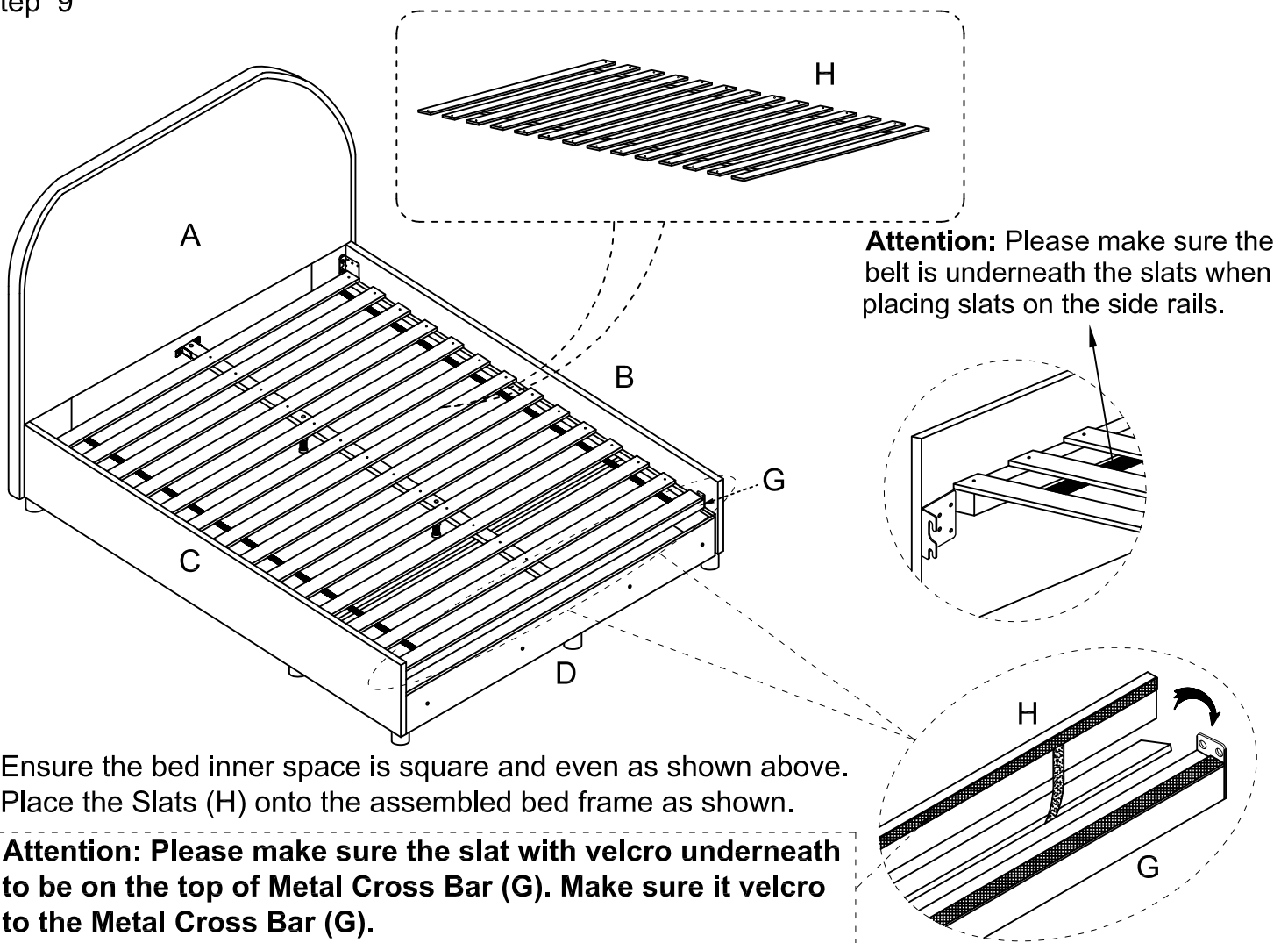
You must use.



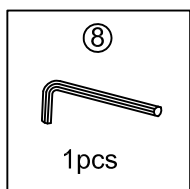
Adjust so there is a 10mm gap between the floor and the bottom of the support legs.

Slot the Center Rail (F) into the Headboard (A) and Metal Cross Bar (G) as shown. Secure using 4 x Small Bolts ③ and 4 x Washers ⑤, fully tightening with Allen Key ⑧ (You MUST use the Washers).

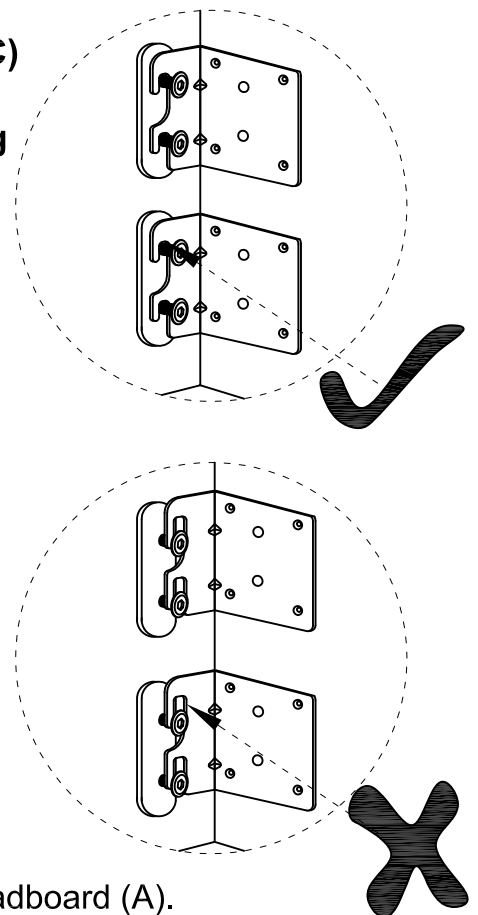
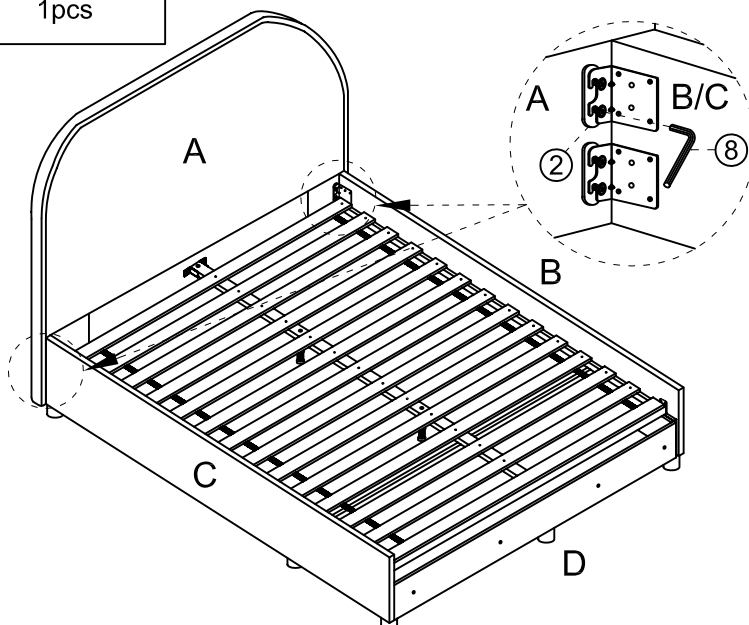
Step 9



Step 10

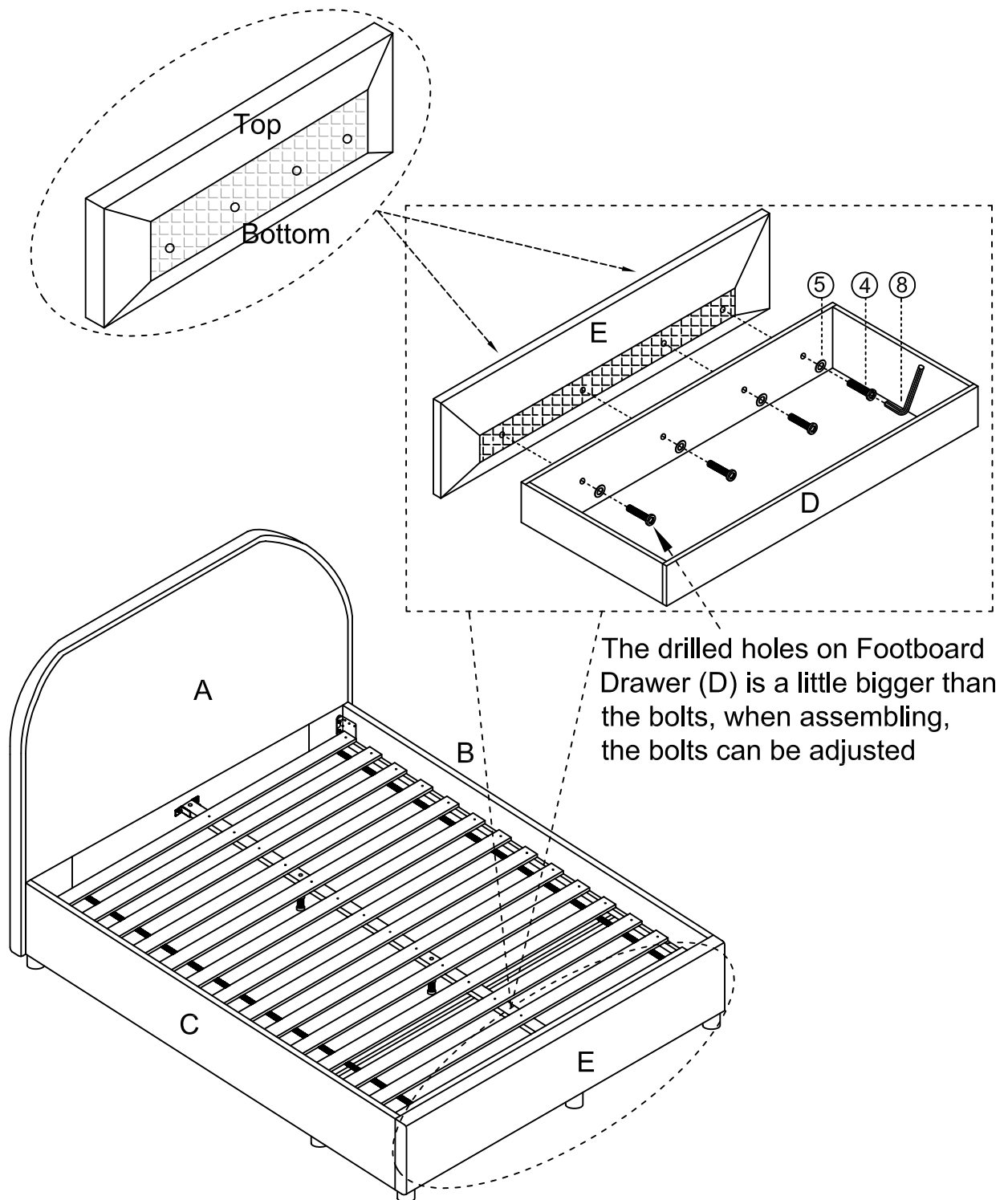
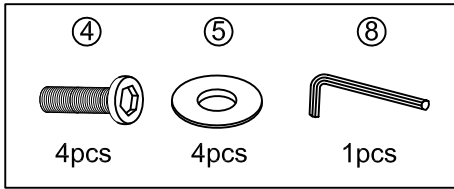


Attention: Please ensure the Side Rails (B/C) are fully attached to the Big Head Bolts ② on the Headboard (A) before fully tightening the Big Head Bolts ②.



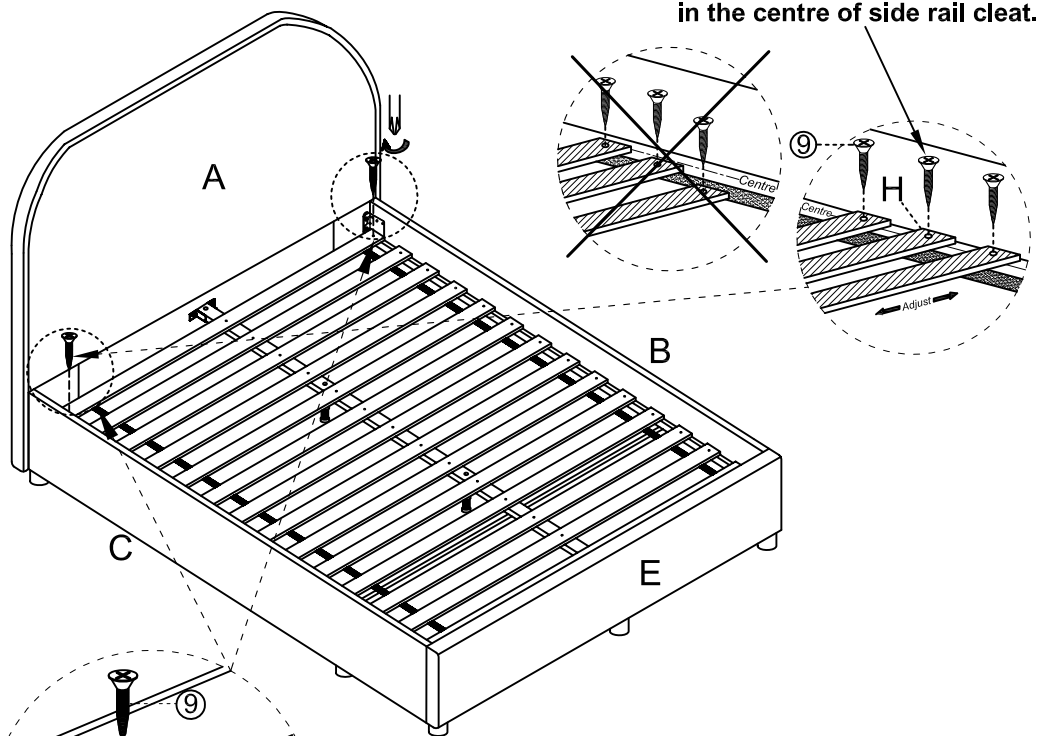
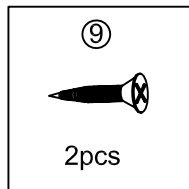
Fully tighten all the Big Head Bolts ② on the Headboard (A).

Step 11



Attach Drawer Board (E) to Footboard Drawer (D) with 4 x Medium Bolts ④ and 4 x Washers ⑤. Fully tighten Medium Bolts ④.

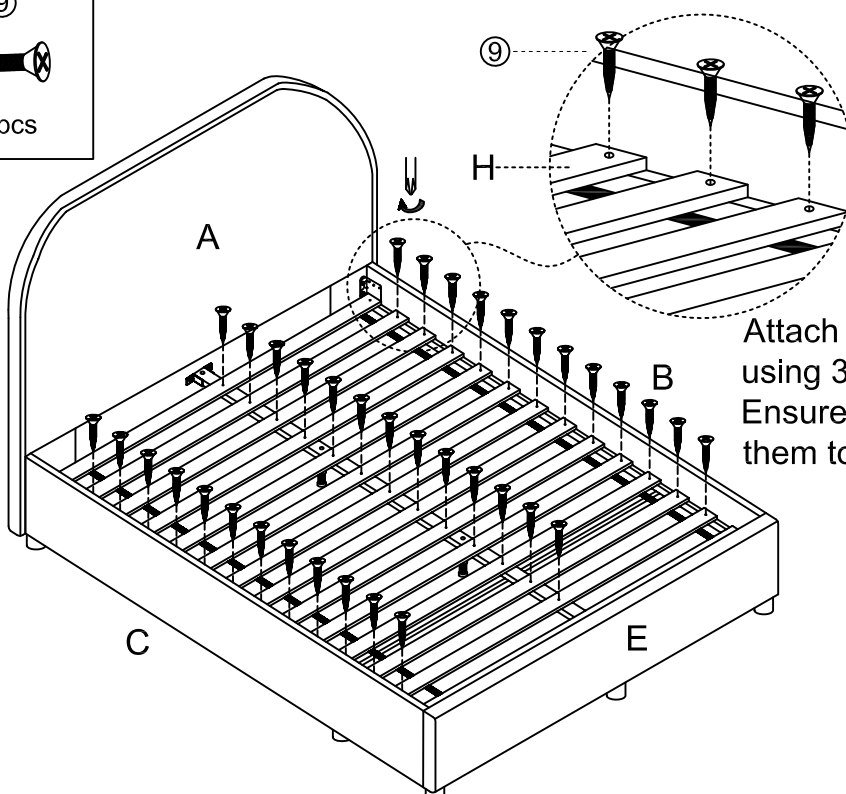
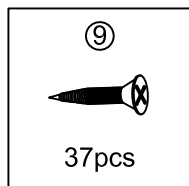
Step 12



Attach the Slats (H) to the assembled frame using 2 x Screws ⑨ as shown. Ensure the slats are centred before screwing them to the bed frame.

Make sure the two ends are aligned.

Step 13



Attach the Slats (H) to the assembled frame using 37 x Screws ⑨ as shown. Ensure the slats are centred before screwing them to the bed frame.

REMARK : ONCE BED IS ASSEMBLED, **DO NOT** SIT, STAND OR APPLY WEIGHT DIRECTLY TO SLATS UNLESS MATTRESS IS IN PLACE.