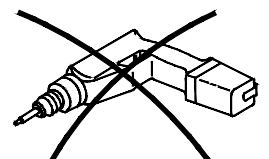
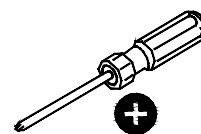
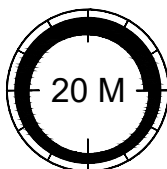
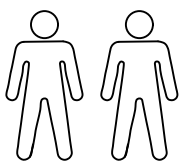
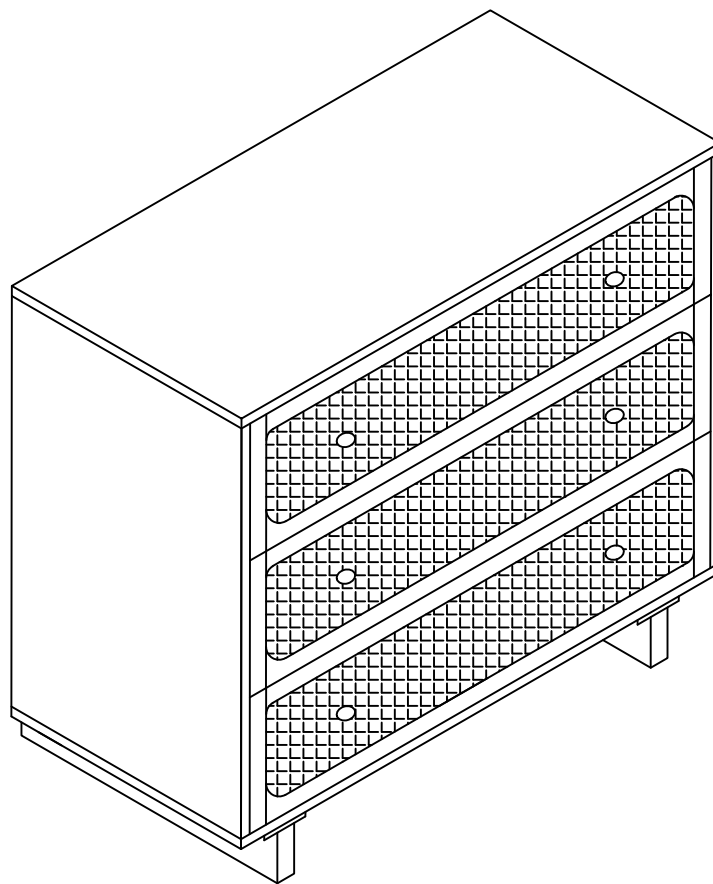


ASSEMBLY INSTRUCTIONS

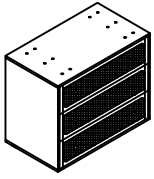
SEATTLE 3 DRAWER CHEST

Please read instructions carefully. Remove all wrapping material and packing from the carton. See hardware and furniture parts list for guidance. Be sure you have all parts before you start to assemble the product. Place all furniture parts on a clean surface, such as carpet or rug to prevent the item from being scratched.



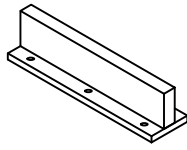
Part list:

1 x Part 1



Cabinet

2 x Part 2



Leg

Hardware list:

Ax12



Bolt
M6X25

Bx12

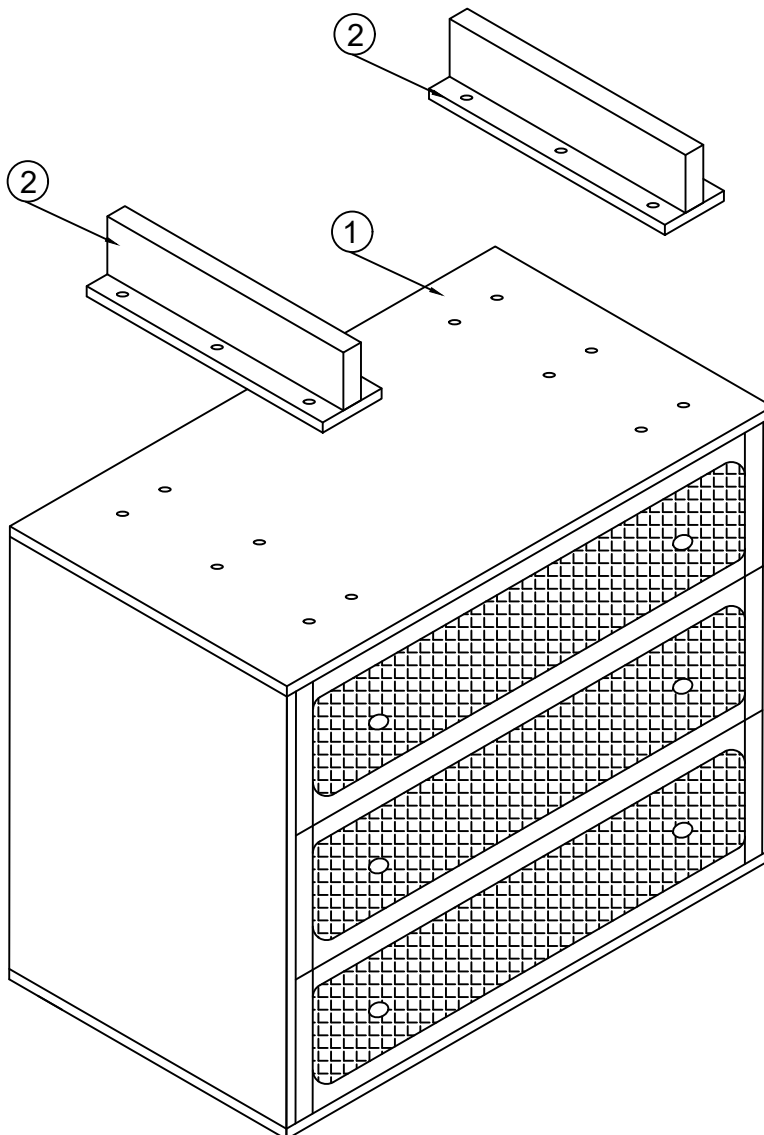





Washer
Ø8X17

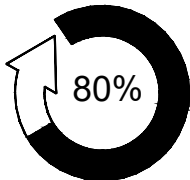
Cx1



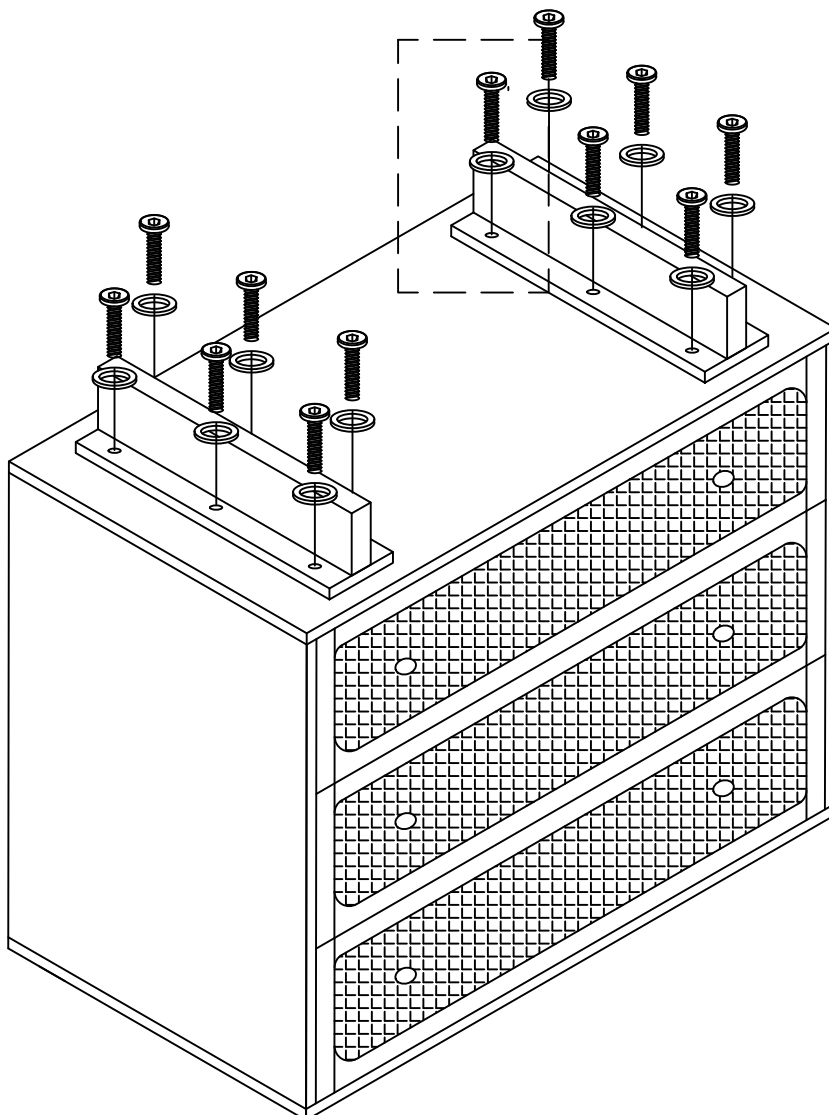
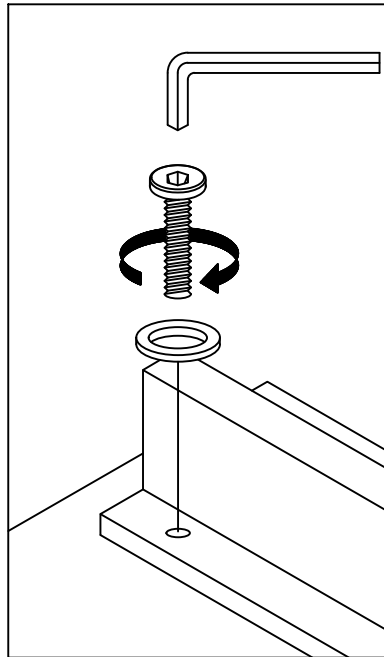
Allen key
4mm



Ax12  M6x25mm	Bx12  Ø8X17	Cx1  4mm
--	--	---



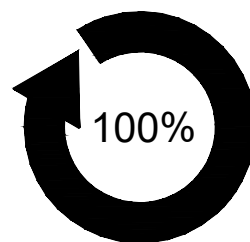
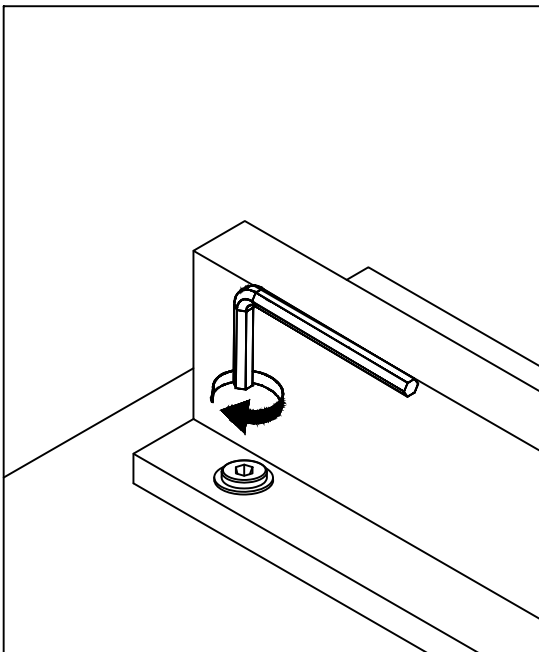
TIGHTEN BOLTS TO 80%.



Cx1



4mm



NOW TIGHTEN BOLTS TO 100%.

