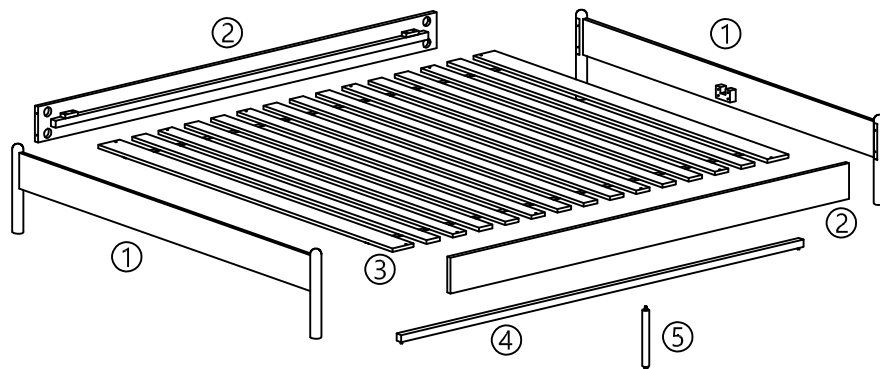


ASSEMBLY INSTRUCTIONS TIMBER BED BASE KING

Please read instructions carefully. Remove all wrapping material, staples and packing straps from the carton. See hardware and furniture parts list for guidance. Be sure you have all parts before you start assembling. Place all wooden furniture parts on a clean flat soft surface, such as carpet or rug to prevent from being scratched.

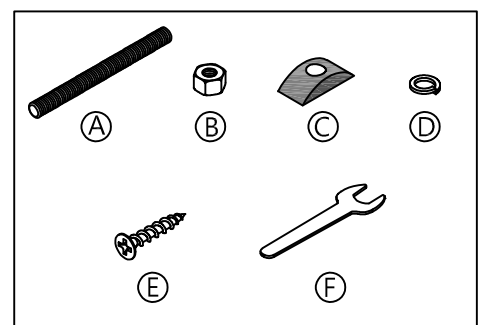
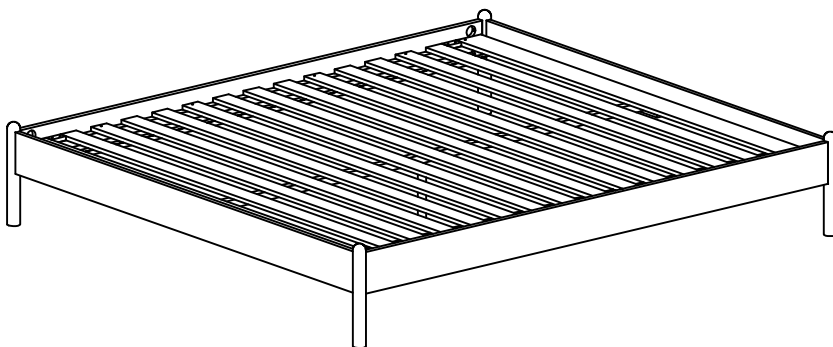
PARTS INCLUDED

- | | |
|----------------------|--------|
| 1. Head / Foot board | : 2pcs |
| 2. Sideboard | : 2pcs |
| 3. Rail | : 1pc |
| 4. Metal support | : 1pc |
| 5. Metal leg | : 1pc |



HARDWARE LIST

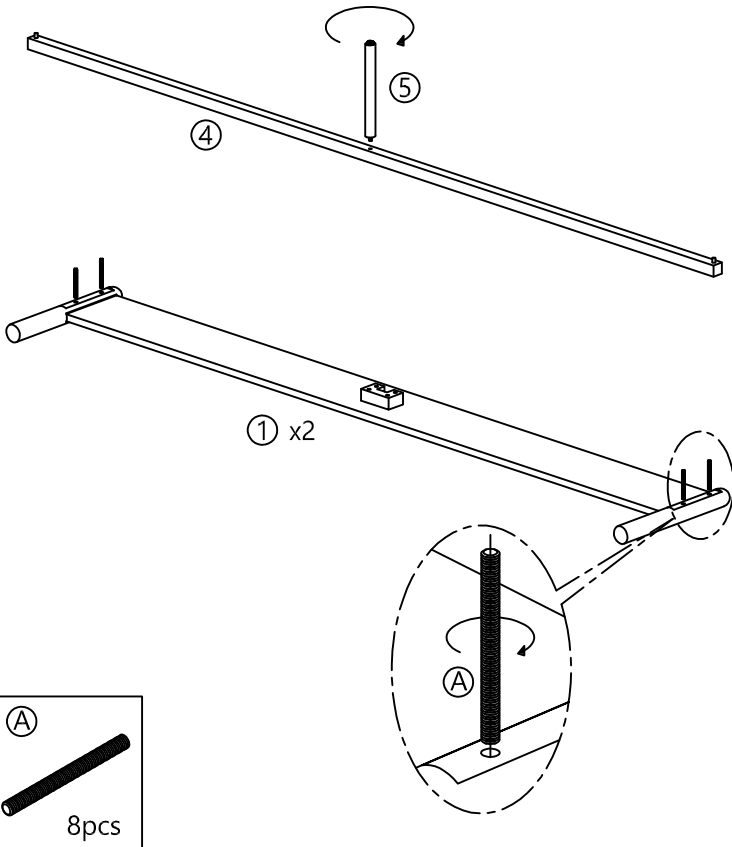
- | | |
|----------------------|---------|
| A. Bolt joint | : 8pcs |
| B. Nut | : 8pcs |
| C. Half moon bracket | : 8pcs |
| D. Spring washer | : 8pcs |
| E. Screw | : 12pcs |
| F. Spanner | : 1pc |



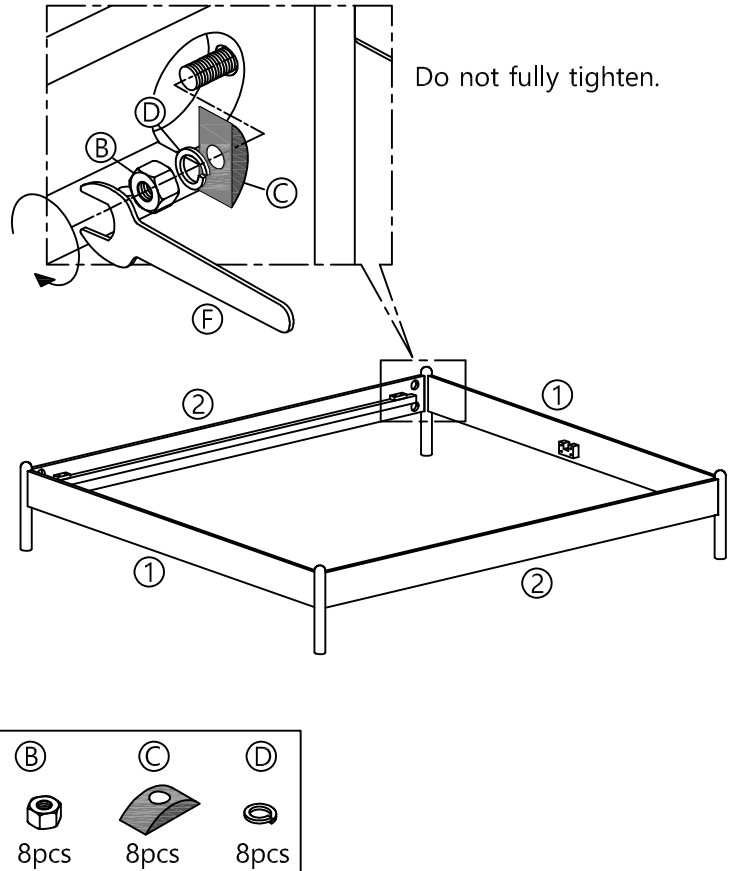
ASSEMBLY INSTRUCTIONS TIMBER BED BASE KING

adairs

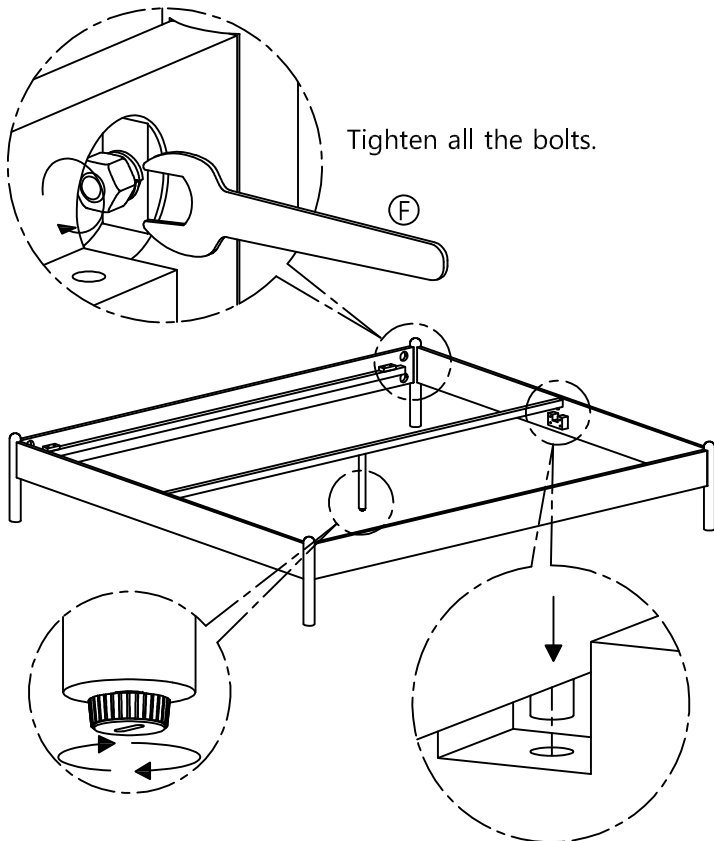
STEP 1



STEP 2



STEP 3



STEP 4

