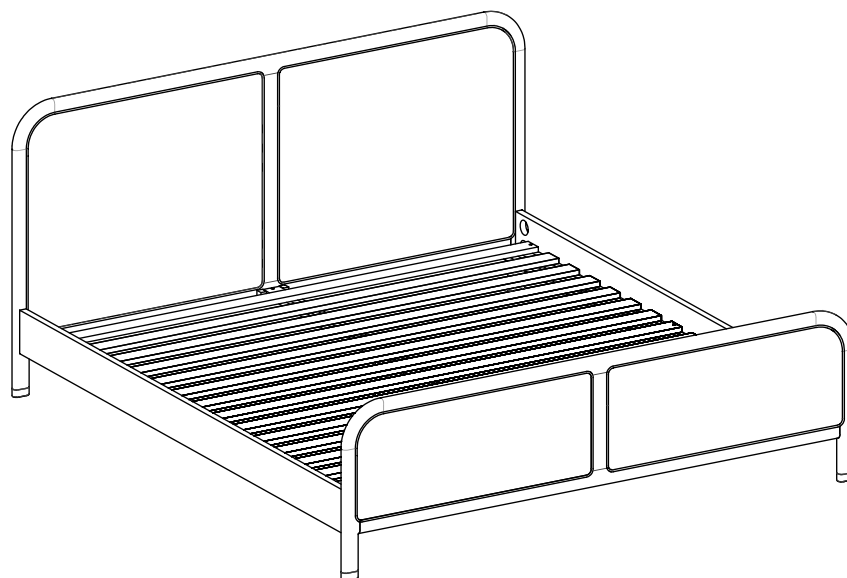


# Swansea King Full Bed



Please read the instructions carefully before use to ensure safe and satisfactory operation of this product.



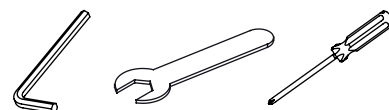
## Pre-assembly preparation

Please ensure instructions are read in full before attempting to assemble this product.

### People to assemble



### Tools required



Please check the pack contents before attempting to assemble this product. A full checklist of components is given in this leaflet. If any components are missing, please contact the retailer from whom you bought this product.

This product is **HEAVY**, it should be assembled as near as possible to the point of use. **TAKE CARE WHEN LIFTING** to avoid personal injury and (or) damage to the product.

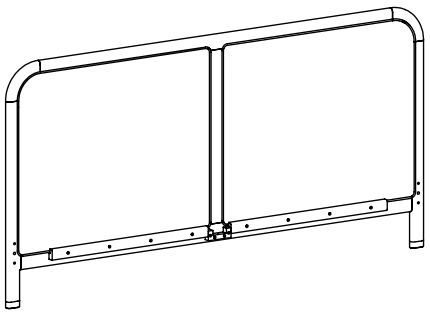
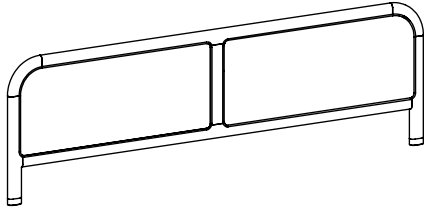
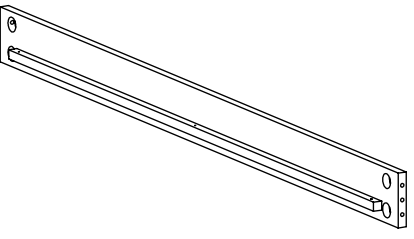
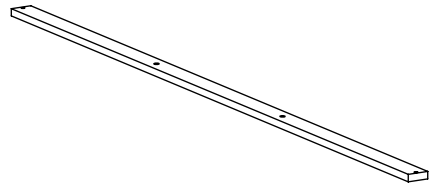
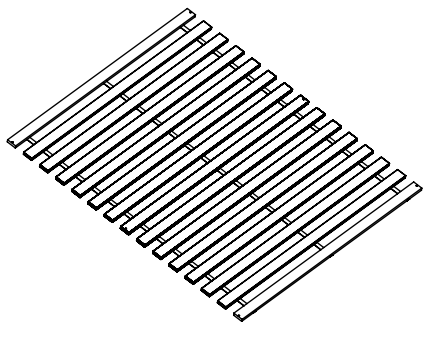

This product takes approximately **40 MINUTES** to assemble with **2 PEOPLE**.

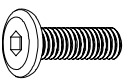





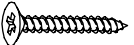


The fittings pack contains **SMALL ITEMS** which should be **KEPT AWAY FROM YOUNG CHILDREN**.

Read this leaflet in full before commencing assembly.

**PLEASE KEEP THESE INSTRUCTIONS FOR FUTURE REFERENCE**

## Fittings and parts checklist

Parts checklist					
A	Headboard x1		B	Footboard x1	
C	Side rail x2		D	Centre rail x1	
E	Slat assembly x1		F	Support leg x2	

Fitting checklist					
G	Bolt x2 M6x40mm		H	Threaded rod x8 M8x80mm	
I	Flat washer x8		J	Hexagon nut x8 M8	
K	Half-moon washer x8		L	Wooden dowel x4 Dia10x50mm	
M	Screw x8 Dia4x25mm		N	Spanner x1	
O	Allen key #4 x1				

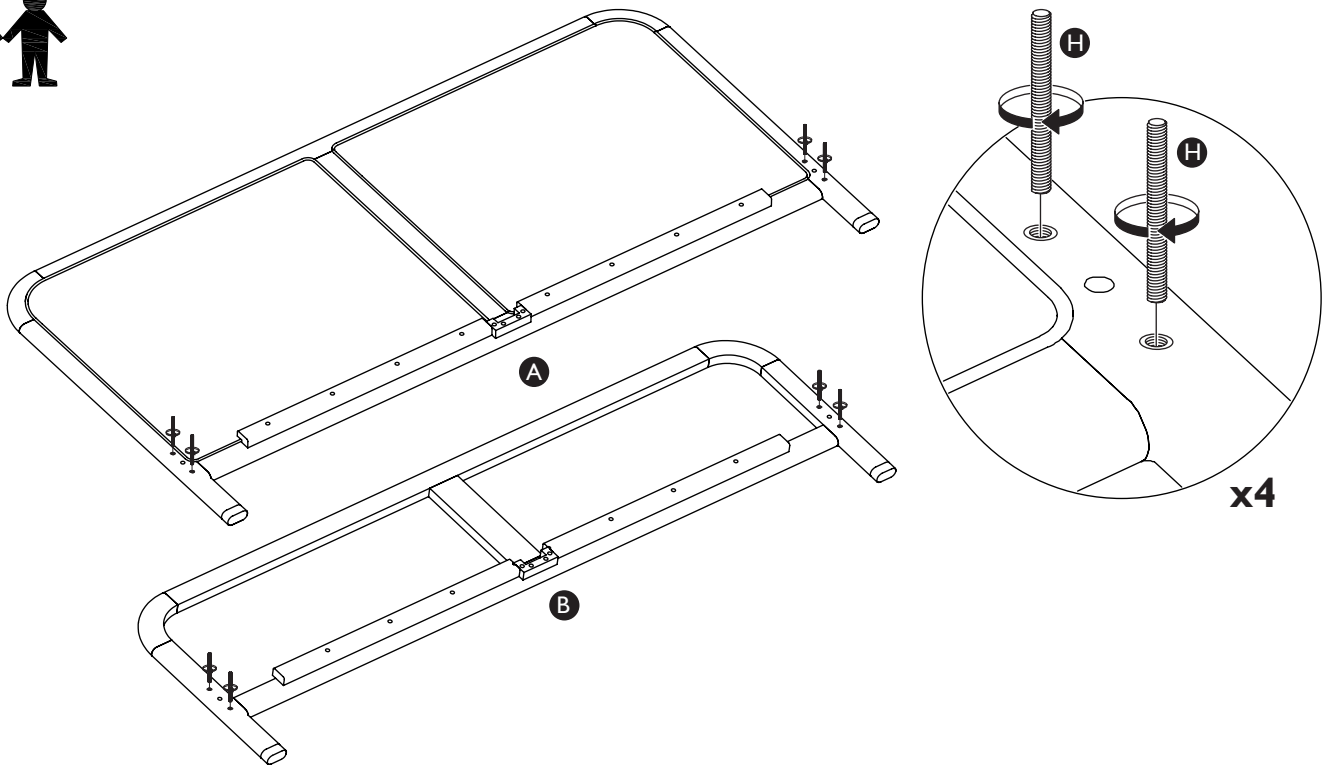
---

## Step by step assembly instructions

---

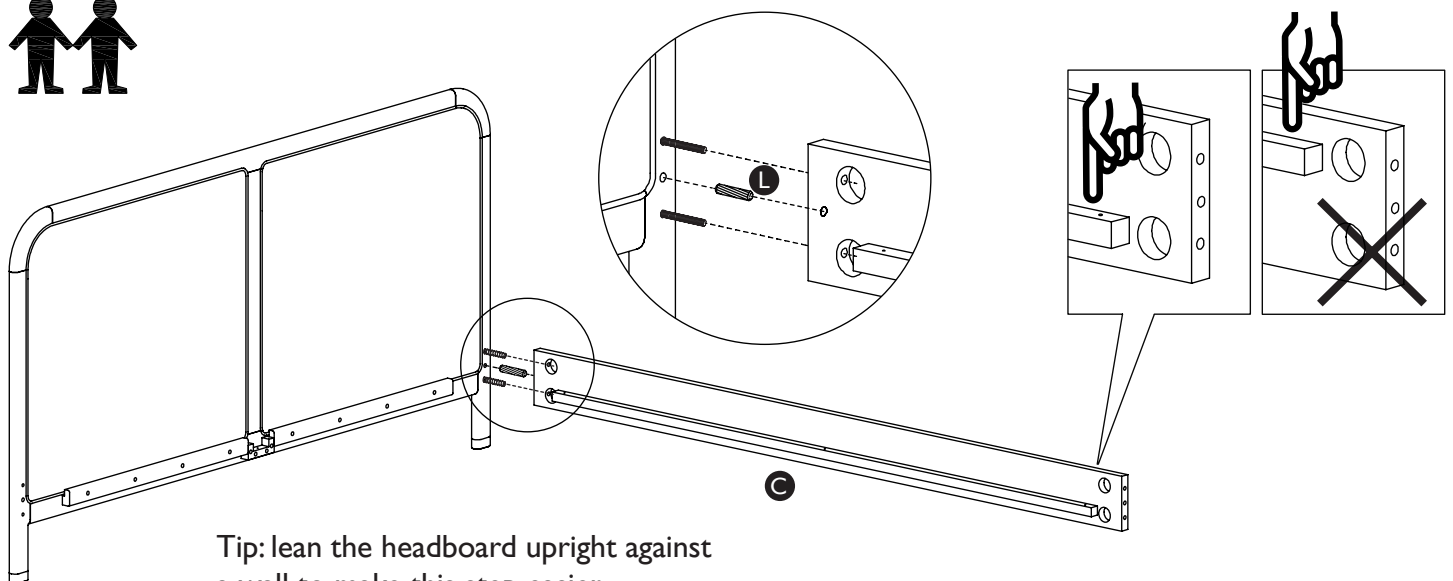
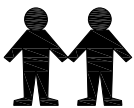
### Step One

With 2 people, carefully place the headboard (part A) and foot board (part B) on a soft, flat surface near where the unit will be used. Screw the threaded rod (part H) into the fixing point on the headboard and footboard **until finger tight**, as shown below.



### Step Two

With 2 people, locate the side rail (part C) with 1x wooden dowel (part L) and 2x threaded rod *that already assembled in step 1* as shown below.



Tip: lean the headboard upright against a wall to make this step easier.

---

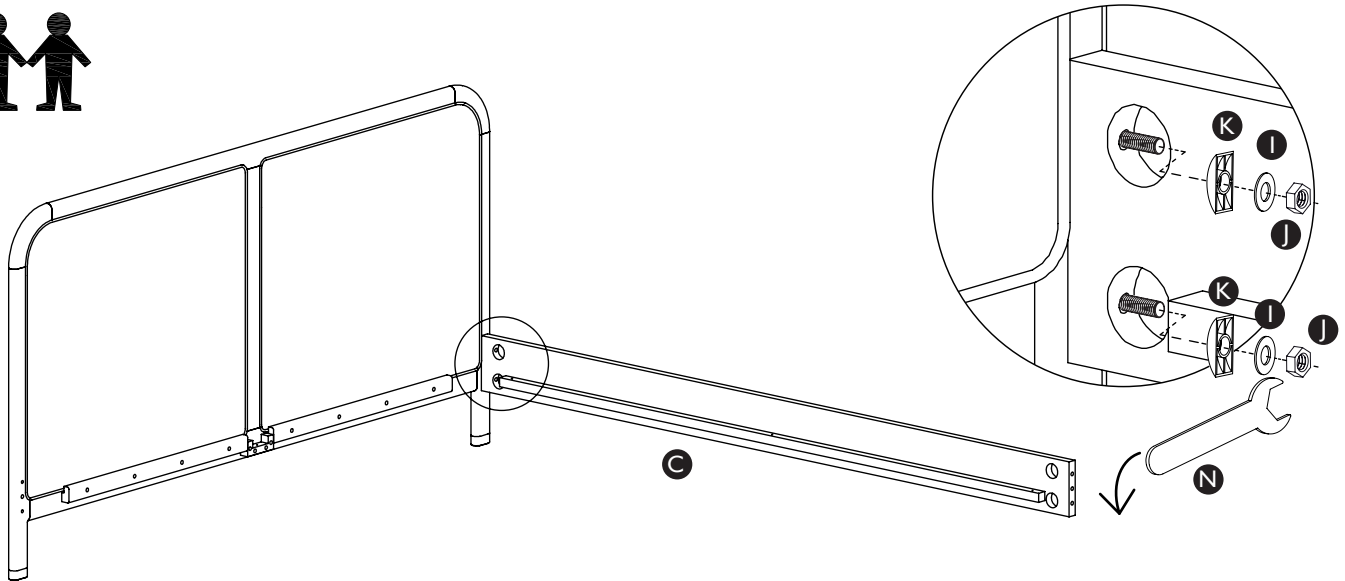
## Step by step assembly instructions

---

### Step Three

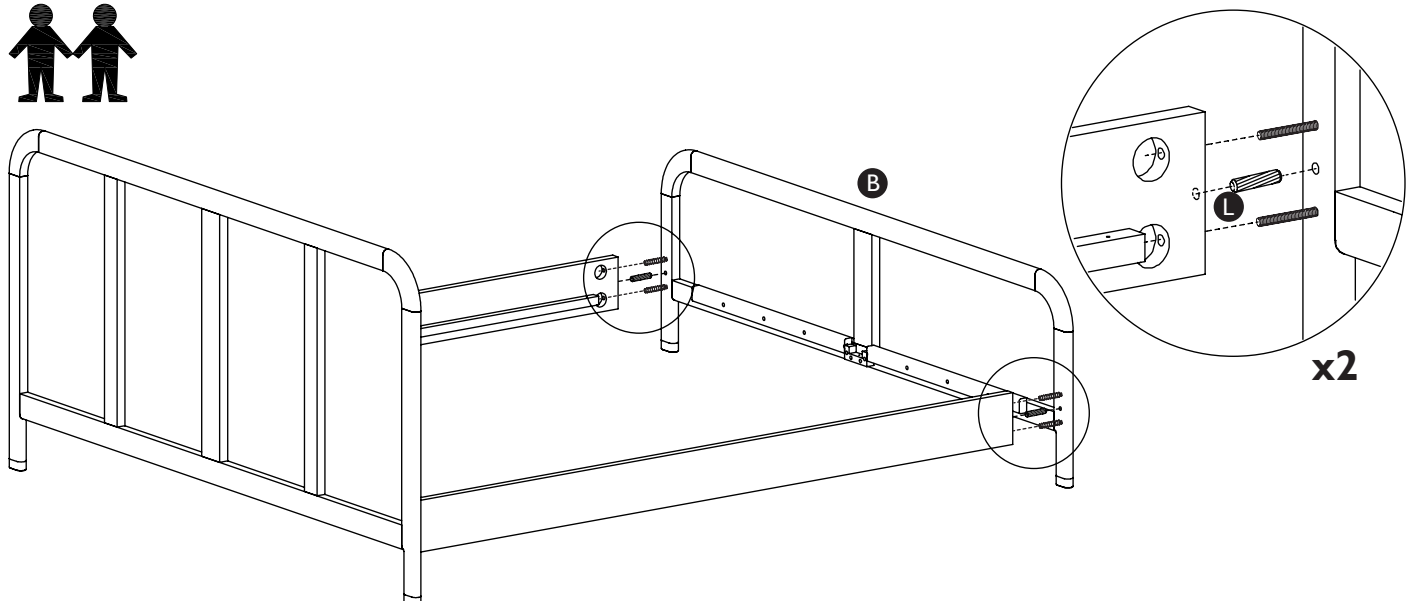
Secure the side rail (part C) to headboard using the half-moon washer (part K), flat washer (part I), hexagon nut (part J) and spanner (part N) as shown below.

Finally, repeat the process <from step 2 to step 3> again to secure the remaining bottom rail to the other side of the headboard (part A).



### Step Four

With 2 people, locate the footboard (part B) with wooden dowel (part L) and threaded rod that already assembled in step 1 as shown below.



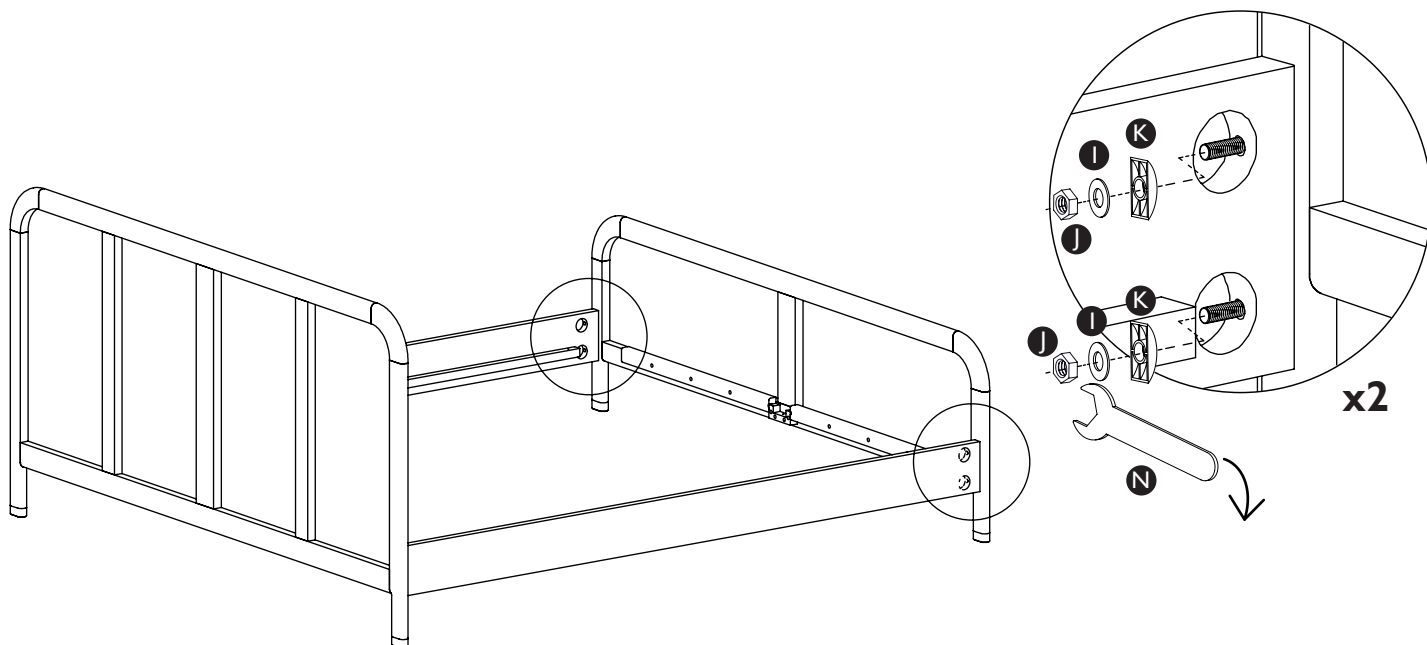
---

## Step by step assembly instructions

---

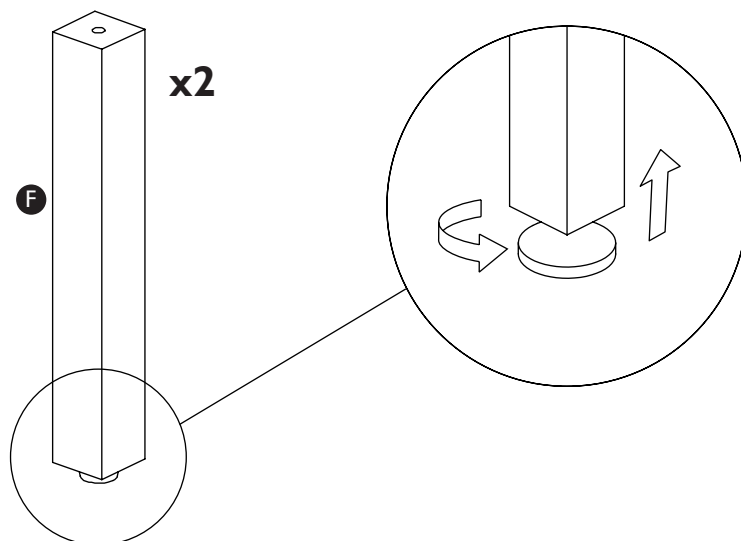
### Step Five

Secure the footboard (part B) to side rails using the half-moon washer (part K), flat washer (part I), hexagon nut (part J) and spanner (part N) as shown below.



### Step Six

Screw the adjustable feet of support leg (part F) all the way into the leg. This will be adjusted in a later step.



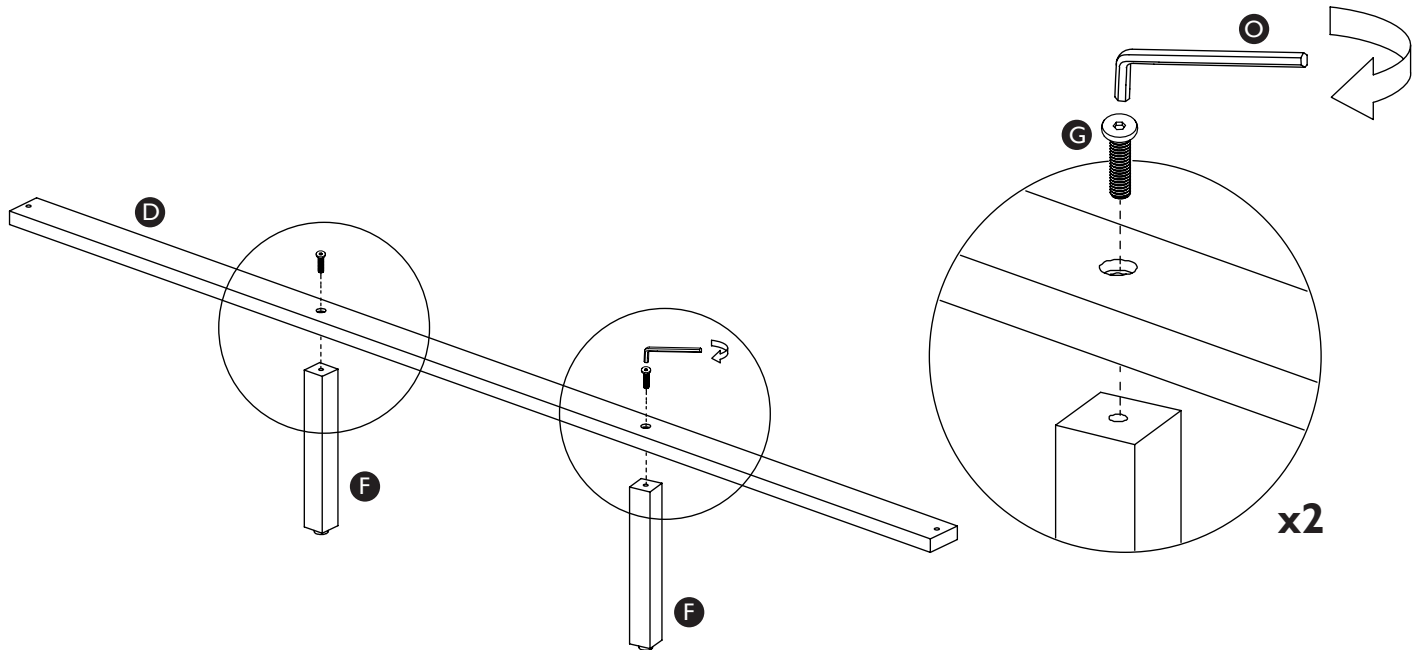
---

## Step by step assembly instructions

---

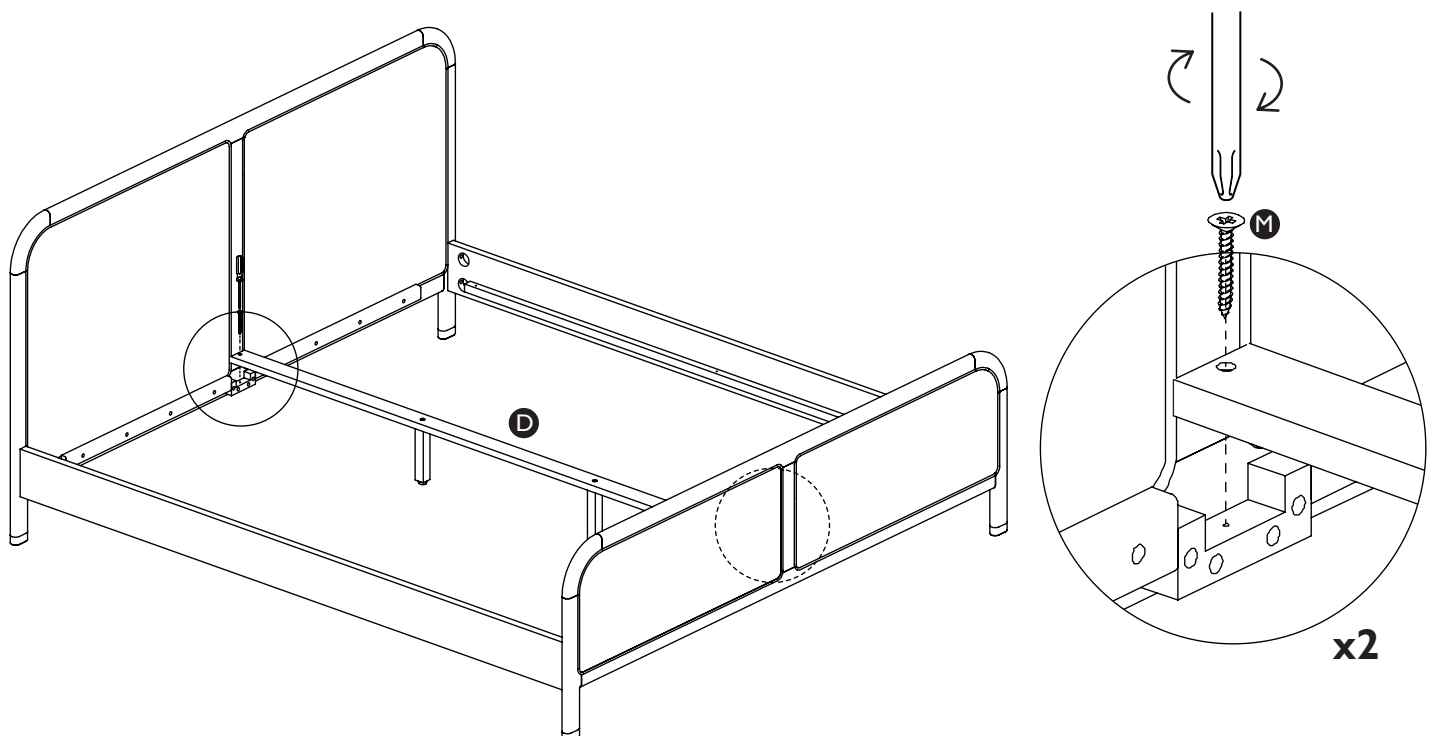
### Step Seven

Locate the centre rail (part D) and fix the support legs (part F) using the bolt (part G) and allen key (part O).



### Step Eight

Secure the centre rail (part D) using the screw (part M) and screwdriver(not included) as shown below.



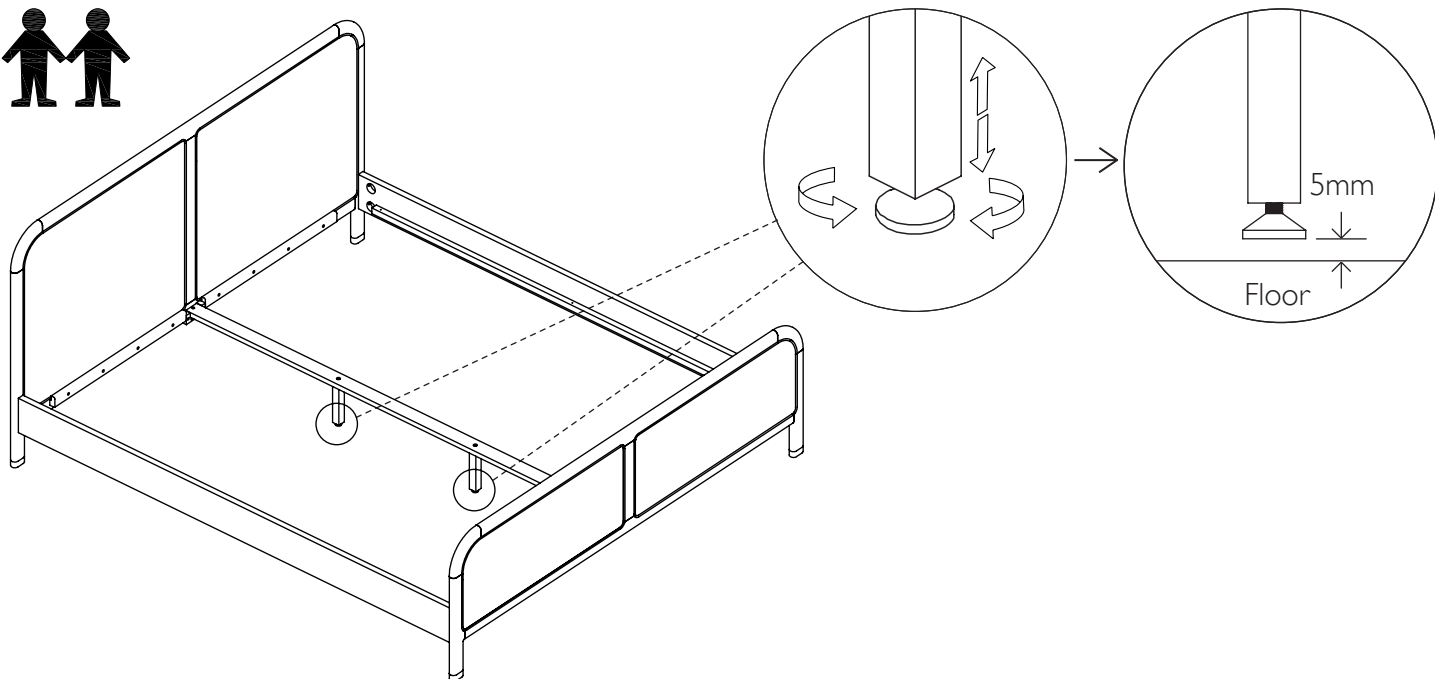
---

## Step by step assembly instructions

---

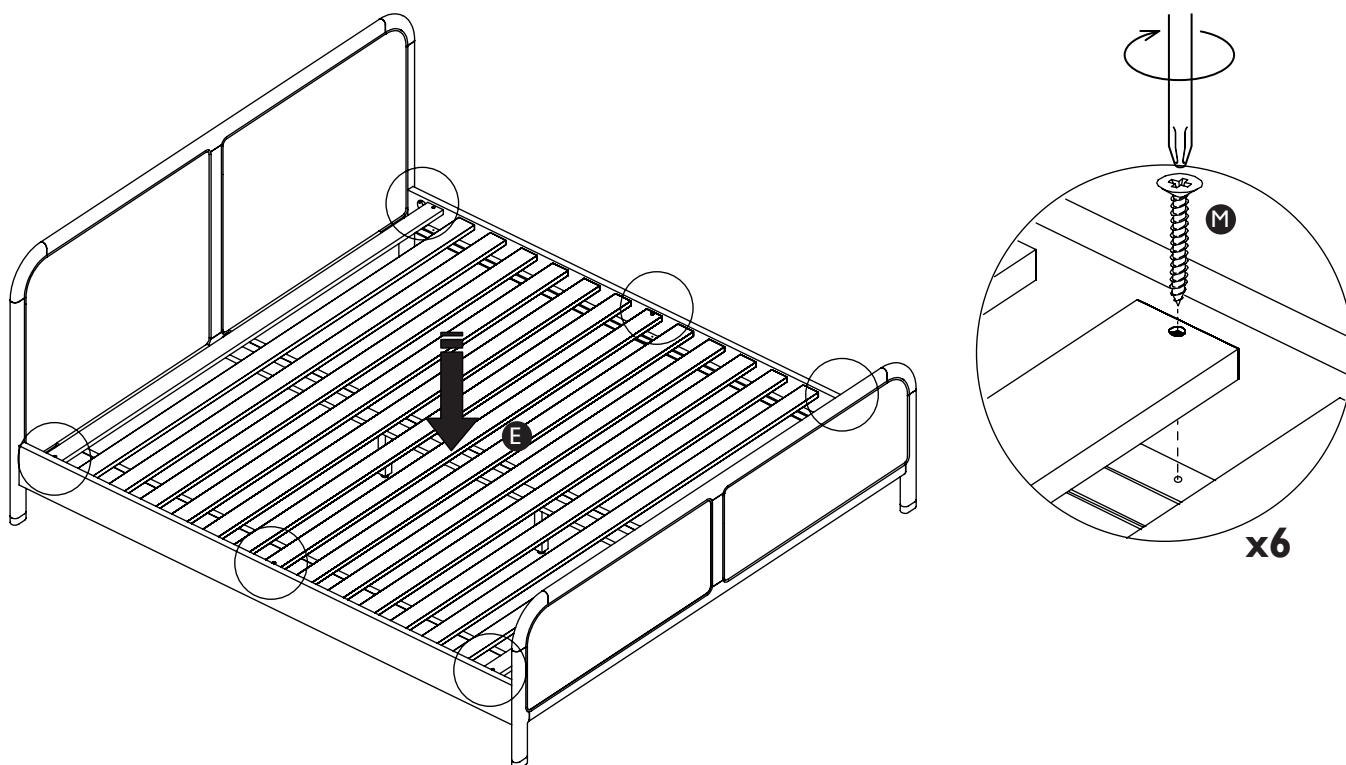
### Step Nine

With 2 people, carefully move the bed into it's intended location. Adjust the feet on the support legs (part F), turn until they both sit at 5mm above the hard part of the floor.



### Step Ten

Secure the slat assembly (part E) using 6x screws (part M) and screwdriver(not included) as shown below.



---

## Care and Maintenance

---

### Wood furniture

- Wood displays different grain patterns depending on which way they cut - for example, the 'medullary rays' which can appear is a mark of good quality timber - these are just characteristics of the natural beauty of the wood. Some furniture is also deliberately aged and rustic.
- Wood veneers also allow distinctive patterns to be created on flat surfaces, such as table tops and drawer fronts by the way the slivers are arranged.
- All timber surfaces will change colour and mellow over time. New furniture will initially vary in shade from items that have been previously purchased.

### How to care for your wood furniture

- Furniture with a hard lacquer, wax polish or painted surface should be dusted with a dry cloth.
- Spray polishes are best avoided as they contain silicones which may spoil the furniture's surface by building up over time.
- Our furniture will endure most temperatures in the home but it is best to avoid placing furniture next to heat sources such as radiators or fires. Be particularly careful with solid wood as the lack of humidity caused by central heating can cause damage such as warping.

---

## Safety instructions

---

- Never drag furniture when moving it, always lift it.
- Periodically check all fixings to ensure none have come loose and re-tighten where necessary.
- Please take care when handling or moving the furniture, careless handling may cause damage or injury.
- Furniture can be dangerous if incorrectly installed. Assembly should be carried out by a competent person. No liability will be accepted for damage or injury caused by incorrectly installed or assembled furniture.
- It is recommended that before moving heavy objects to a new location they are completely dis-assembled to avoid personal injury or damage to the furniture. Please be careful to retain all fittings when doing this.

### **PLEASE READ!**

**This product has a natural open grain finish. Please read the care guide thoroughly.**



---

## Experiencing problems with your new product?

---

Before calling customer service, please have your item's batch code ready.

You can find the batch code on the back or bottom of your product as below shown.

**(example batch code: I90510)**

