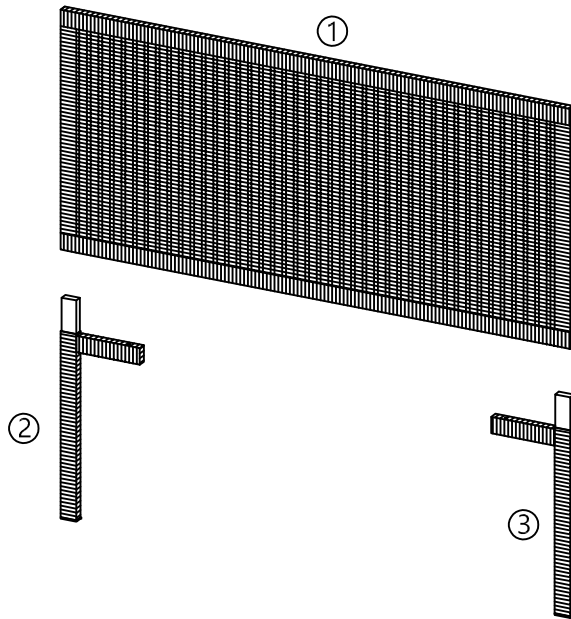


ASSEMBLY INSTRUCTIONS NOOSA BEDHEAD QUEEN / KING

Please read instructions carefully. Remove all wrapping material, staples and packing straps from the carton. See hardware and furniture parts list for guidance. Be sure you have all parts before you start assembling. Place all wooden furniture parts on a clean flat soft surface, such as carpet or rug to prevent from being scratched.

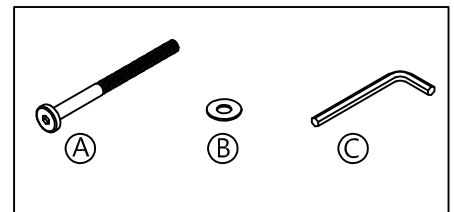
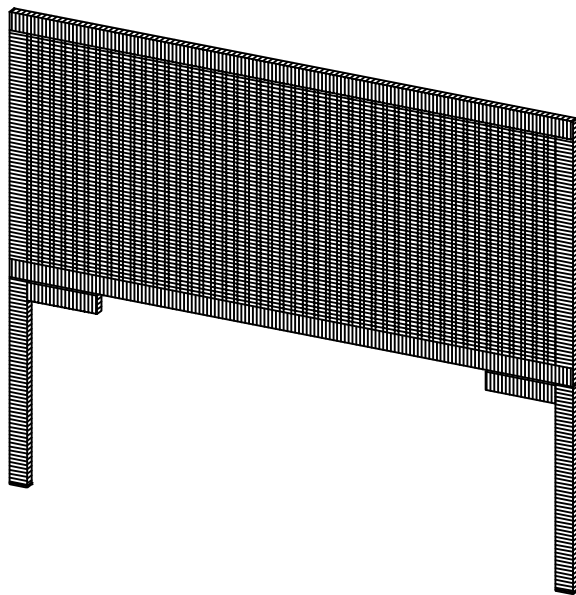


PARTS INCLUDED

1. Bedhead	: 1pc
2. Left leg	: 1pc
3. Right leg	: 1pc

HARDWARE LIST

A. Bolt	: 2pcs
B. Flat washer	: 2pcs
C. Allen key	: 1pc

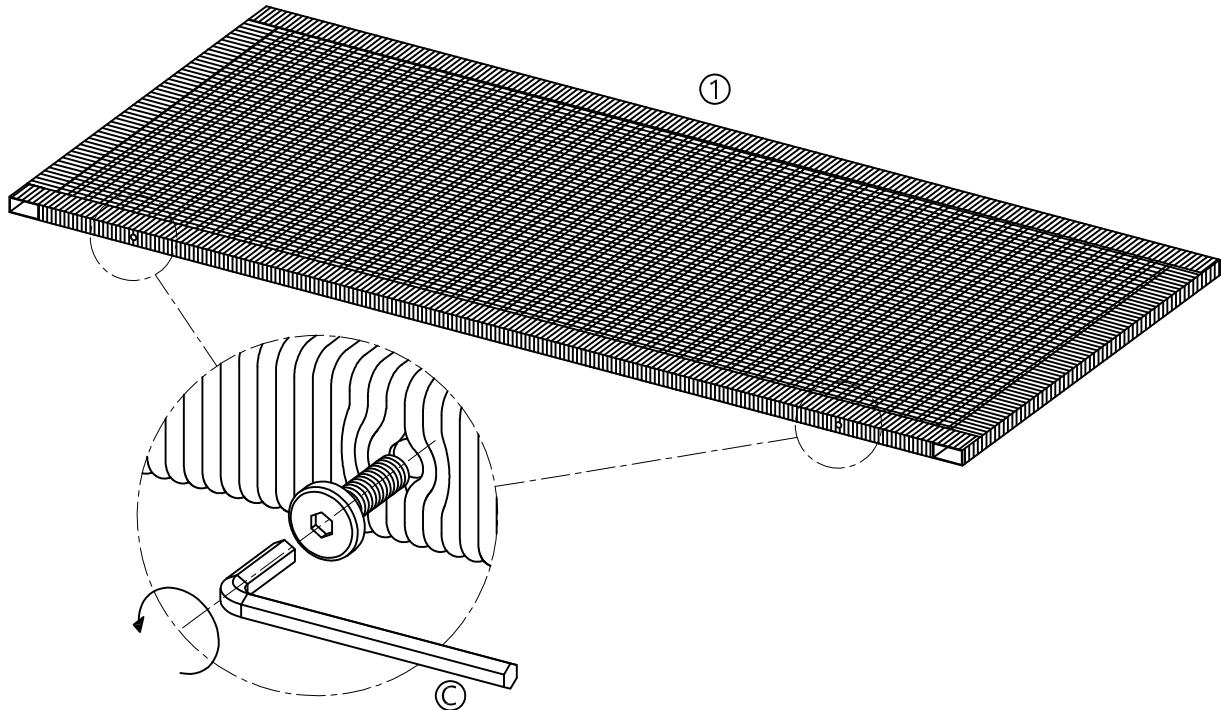


ASSEMBLY INSTRUCTIONS NOOSA BEDHEAD QUEEN / KING

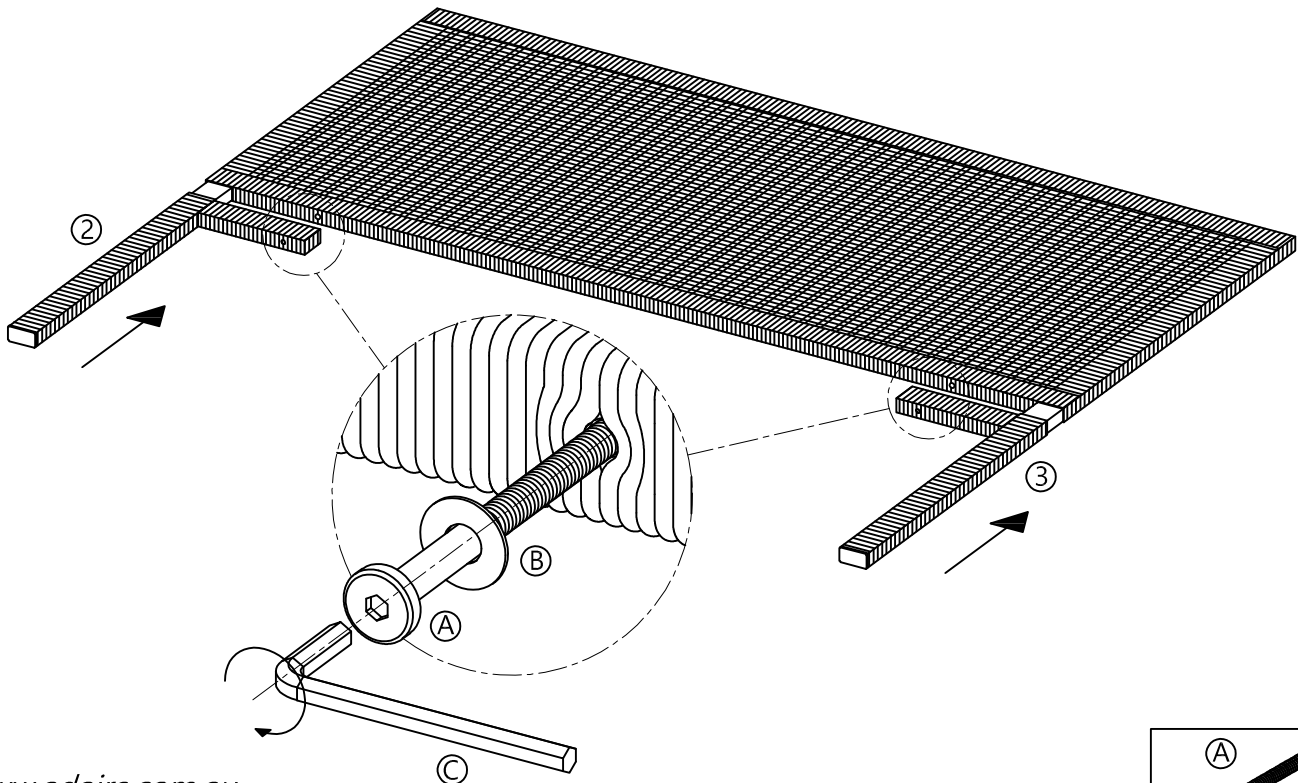
adairs

STEP 1

Remove the bolts to outside.



STEP 2



www.adairs.com.au
www.adairs.co.nz

