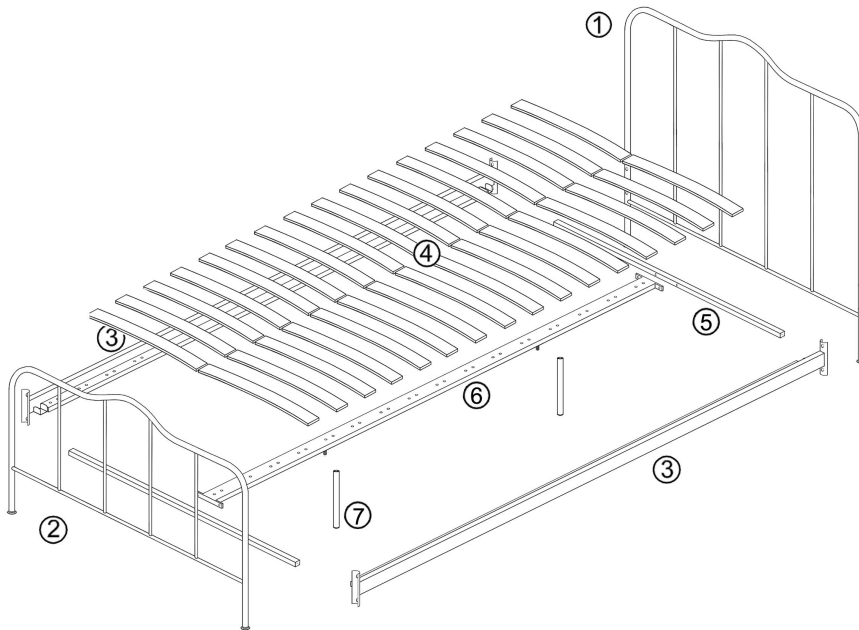


ASSEMBLY INSTRUCTIONS

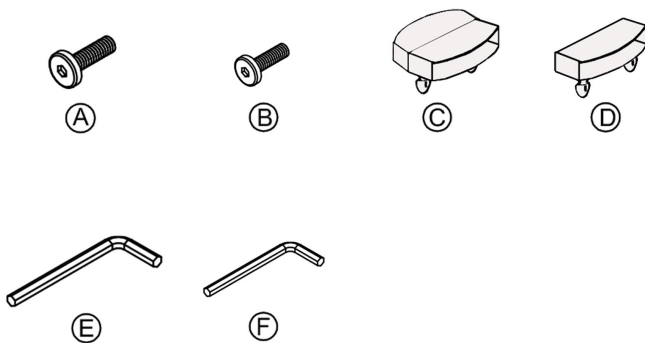
55277 - AK HEIRLOOM IRON BED - King Single

Please read instructions carefully. Remove all wrapping material, staples and packing straps from the carton. See Parts List and Hardware List for guidance. Be sure you have all parts before you start assembling. Place all metal furniture parts on a clean and flat soft surface, such as carpet or a rug to prevent from being scratched.



PARTS LIST

| | |
|----------------|---------|
| 1. Headboard | : 1pc |
| 2. Footboard | : 1pc |
| 3. Sideboard | : 2pcs |
| 4. Wood slat | : 32pcs |
| 5. Square tube | : 2pcs |
| 6. Middle bar | : 1pc |
| 7. Support leg | : 2pcs |



HARDWARE LIST

| | |
|------------------------|---------|
| A. Long bolt | : 8pcs |
| B. Short bolt | : 6pcs |
| C. Middle Plastic bolt | : 16pcs |
| D. Side Plastic bolt | : 32pcs |
| E. Long Allen key | : 1pc |
| F. Short Allen key | : 1pc |

FOR ASSEMBLY

- First, check the content to make sure that nothing is missing.
- Sort out the parts and fittings as shown.
- Assemble the product step by step.
- It is preferable to rest the product on a soft surface to avoid damage during assembly.
- Do not overtighten screws and fittings.
- Re-tighten all screws and fittings periodically.
- You will need a phillips screwdriver to complete this assembly.

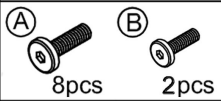
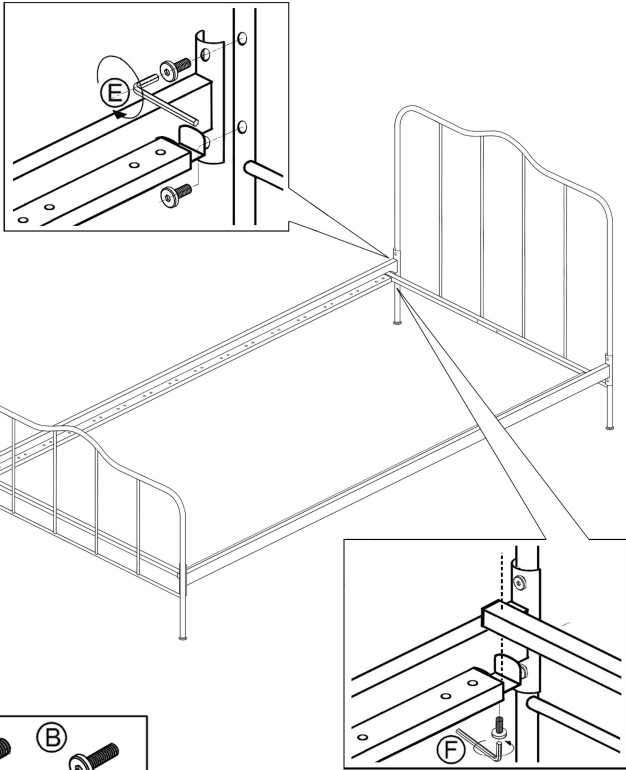
Adairs Retail Group Pty Ltd
 2 International Court, Caribbean
 Business Park, Scoresby 3179
 T 61 3 8888 4500
www.adairs.com.au www.adairs.co.nz

ASSEMBLY INSTRUCTIONS

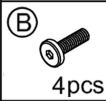
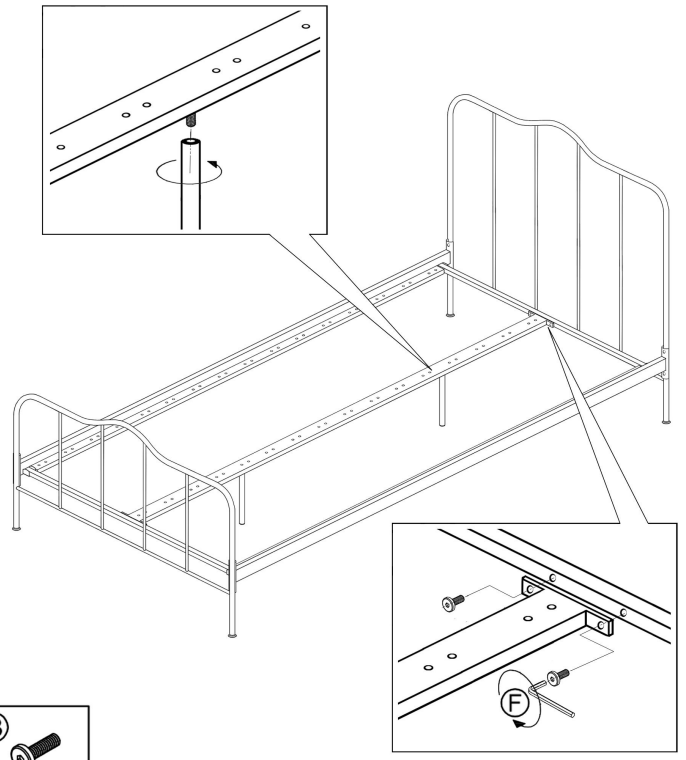
adairs kids

55277 - AK HEIRLOOM IRON BED - King Single

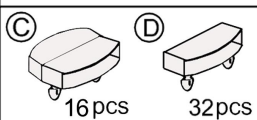
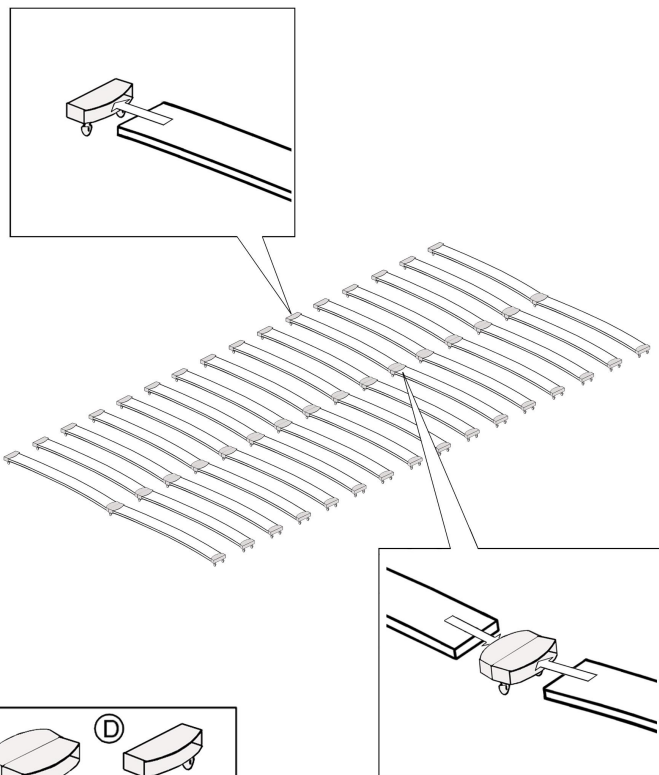
STEP 1



STEP 2



STEP 3



STEP 4

