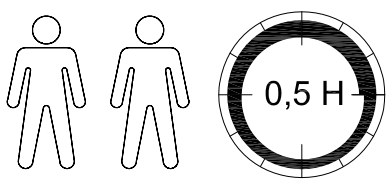
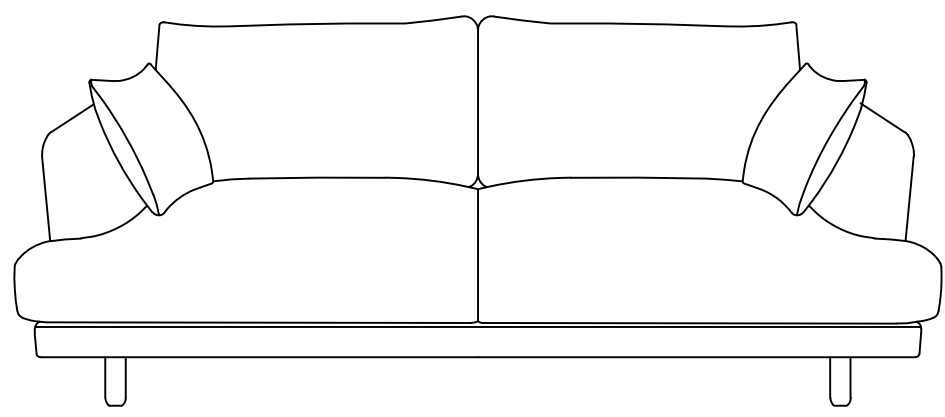


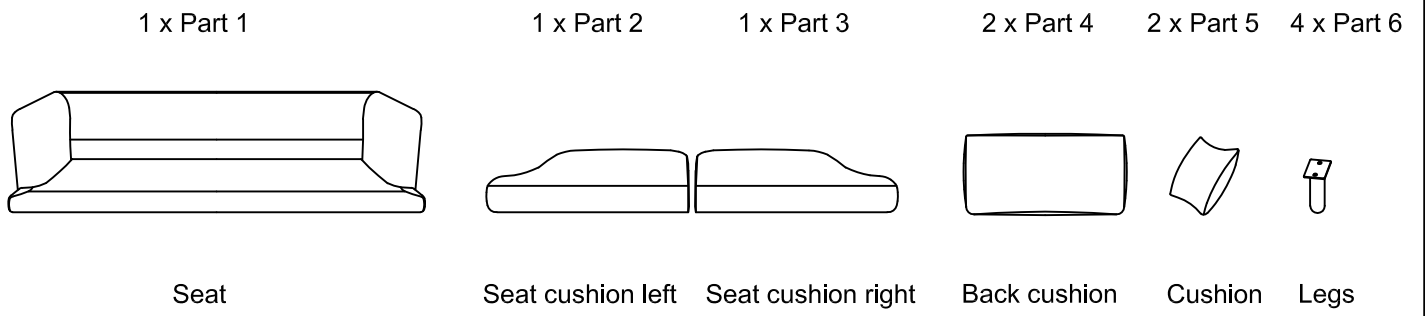
ASSEMBLY INSTRUCTIONS

VIRGINIA SOFA COLLECTION 3-SEATER

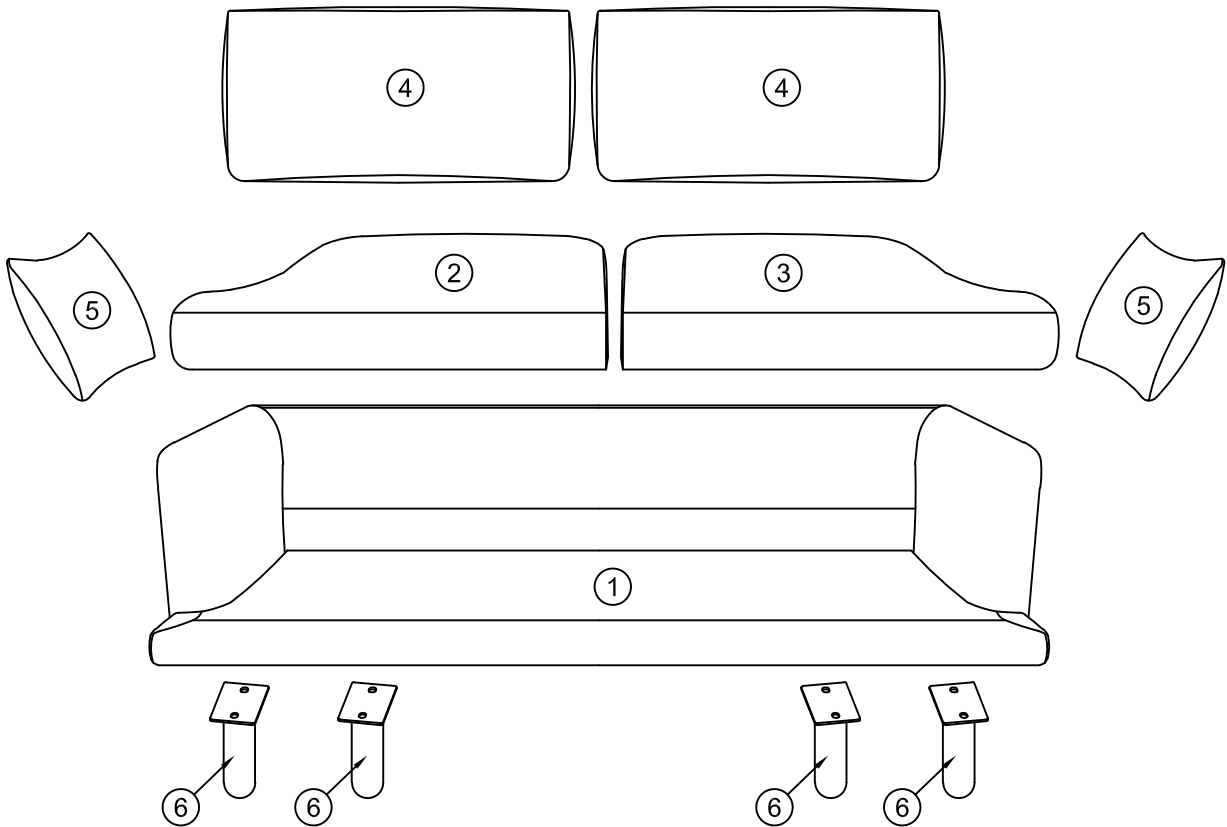
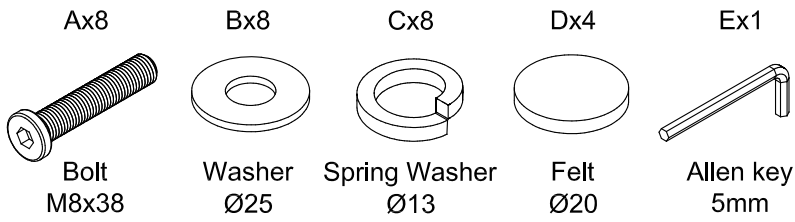
Please read instructions carefully. Remove all wrapping material and packing from the carton. See hardware and furniture parts list for guidance. Be sure you have all parts before you start to assemble the product. Place all furniture parts on a clean surface, such as carpet or rug to prevent the item from being scratched.



Part list:

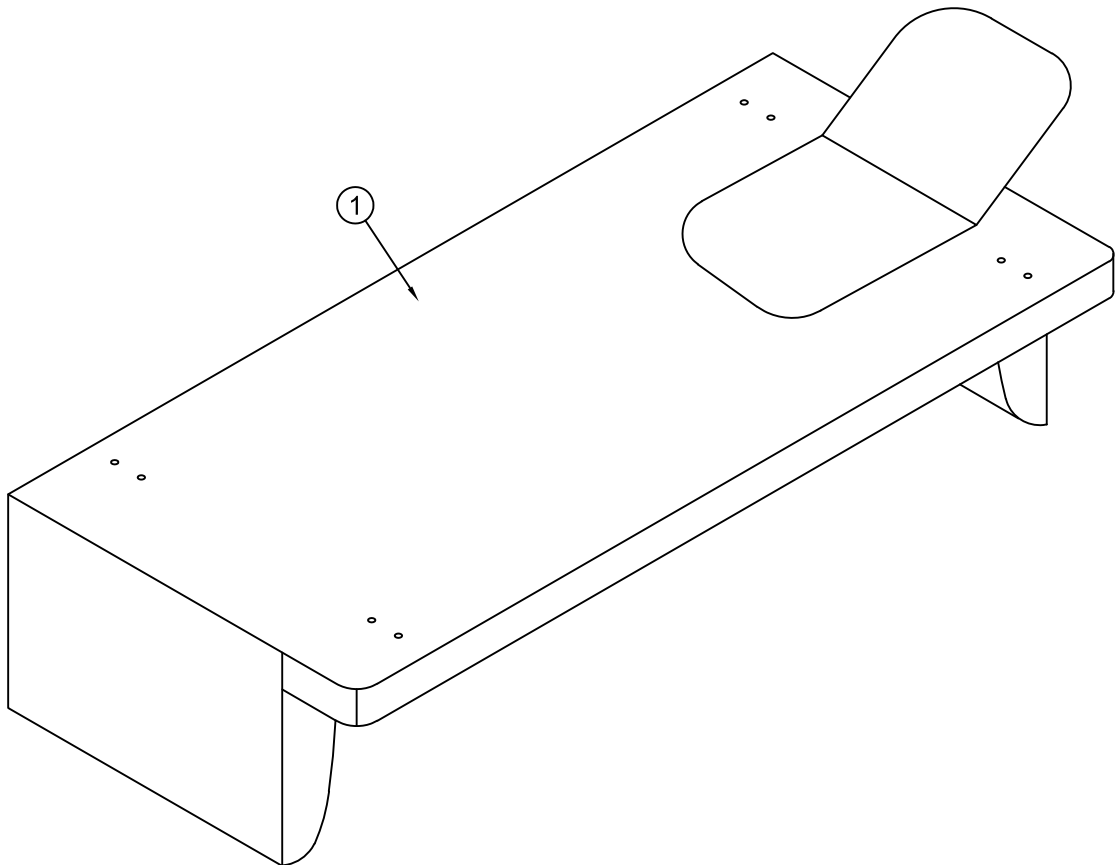
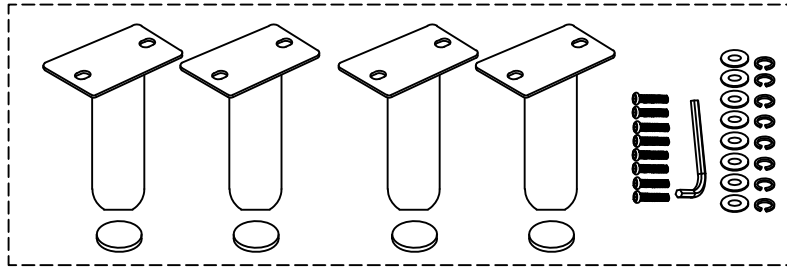


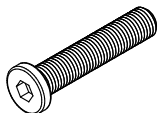
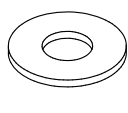
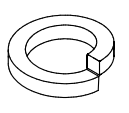
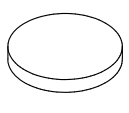
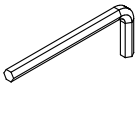
Hardware list:



BEFORE TURNING SOFA UPSIDE DOWN, MAKE SURE THE SURFACE BELOW IS CLEAN AND FREE OF DUST. WE RECOMMEND USING TWO PEOPLE TO MOVE THE SOFA

1



Ax8  M8x38mm	Bx8  Ø25mm	Cx8  Ø13mm	Dx4  Ø20mm	Ex1  Ø6/Ø14mm
--	---	---	---	--

