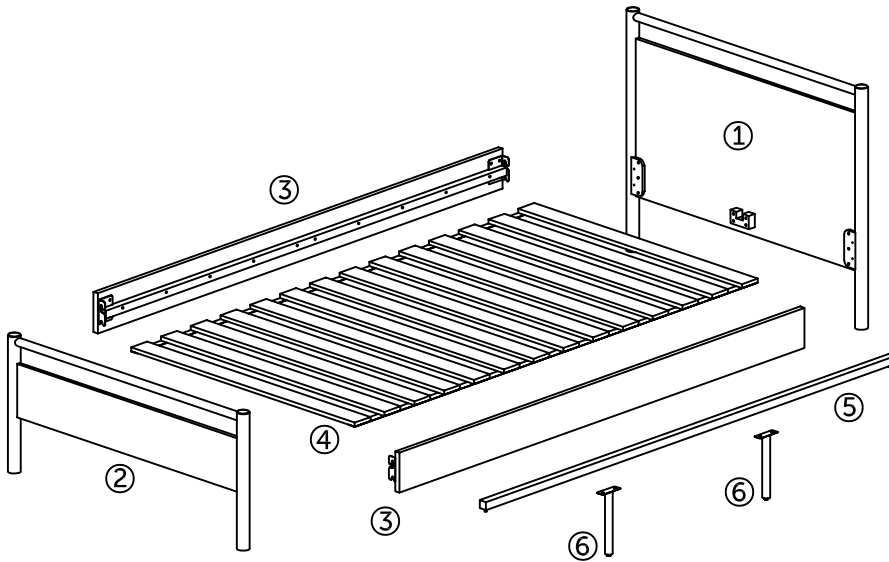


ASSEMBLY INSTRUCTIONS

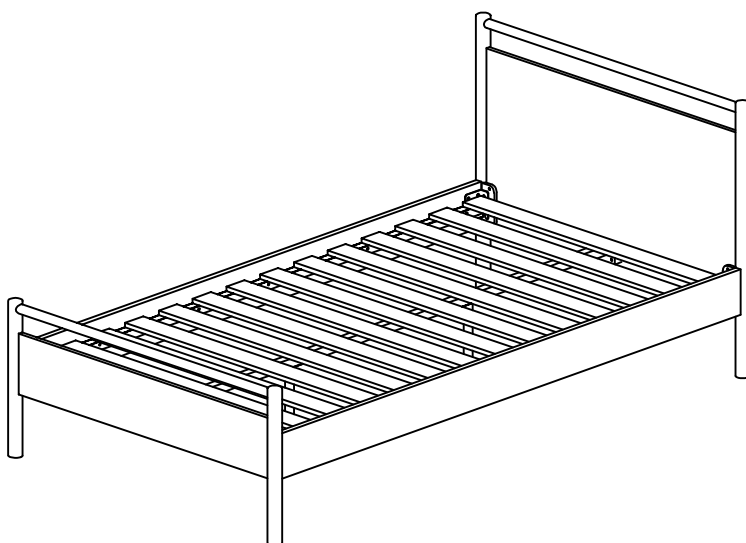
49980 - NOAH KING SINGLE BED

Please read instructions carefully. Remove all wrapping material, staples and packing straps from the carton. See hardware and furniture parts list for guidance. Be sure you have all parts before you start assembling. Place all wooden furniture parts on a clean flat soft surface, such as carpet or rug to prevent from being scratched.



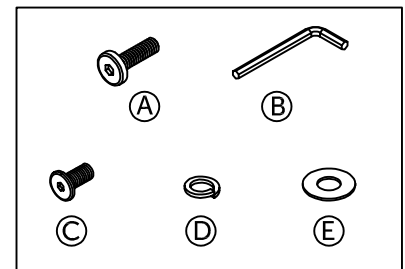
PARTS LIST

1. Headboard	: 1pc
2. Footboard	: 1pc
3. Sideboard	: 2pcs
4. Rail	: 1pc
5. Metal support	: 1pc
6. Metal leg	: 2pcs



HARDWARE LIST

A. Bolt	: 8pcs
B. Allen key	: 1pc
C. Bolt	: 4pcs
D. Spring washer	: 4pcs
E. Flat washer	: 4pcs

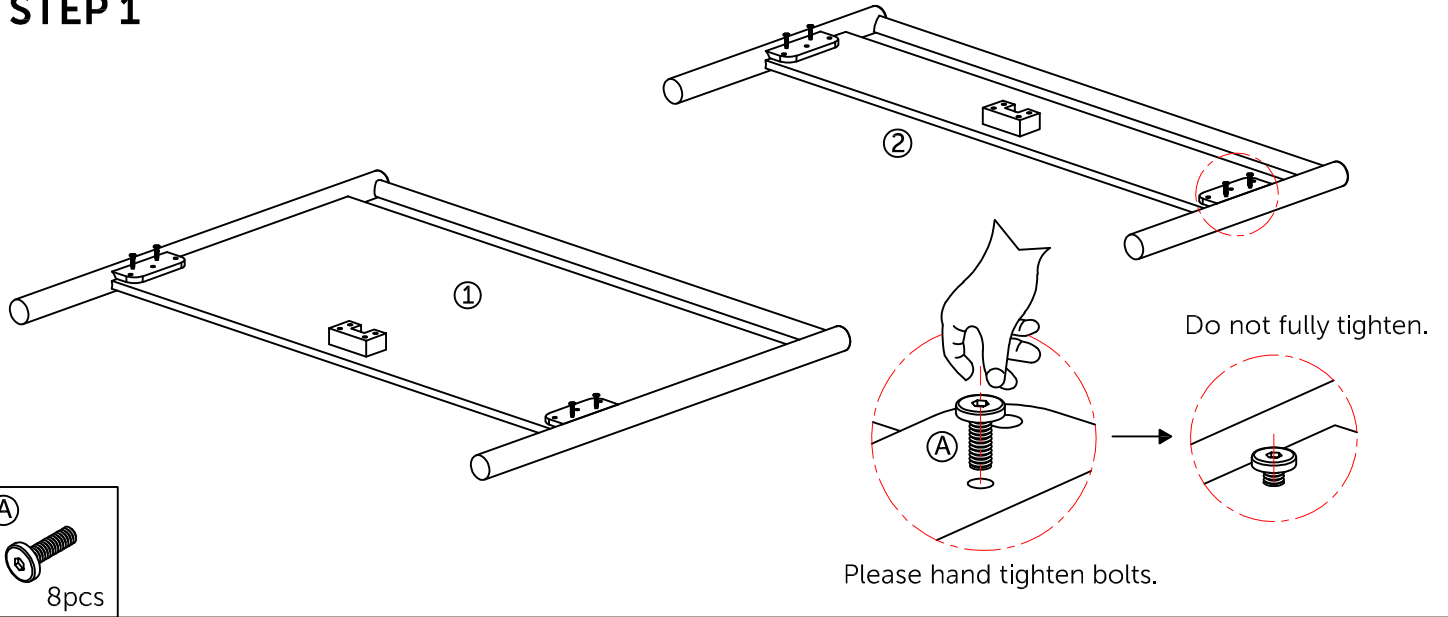


ASSEMBLY INSTRUCTIONS

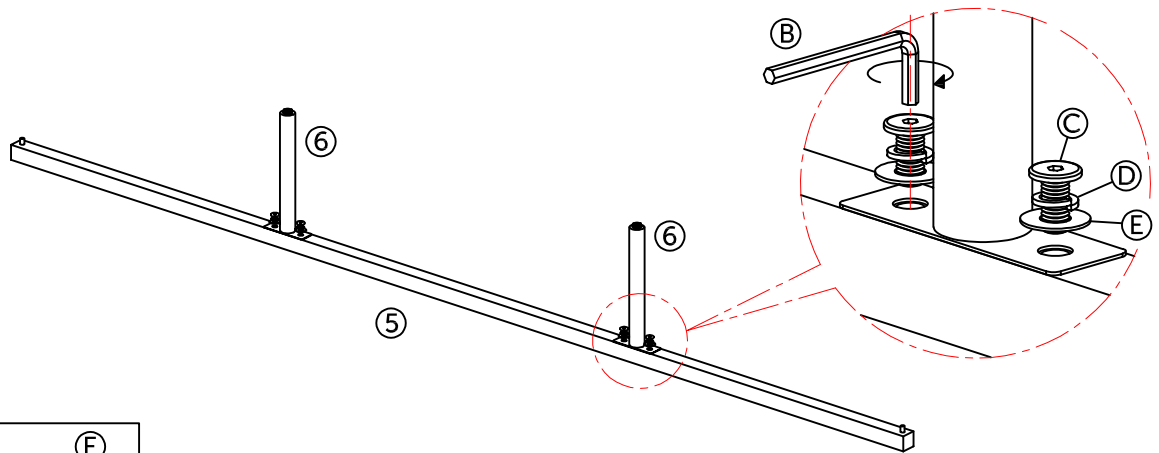
adairs kids

49980 - NOAH KING SINGLE BED

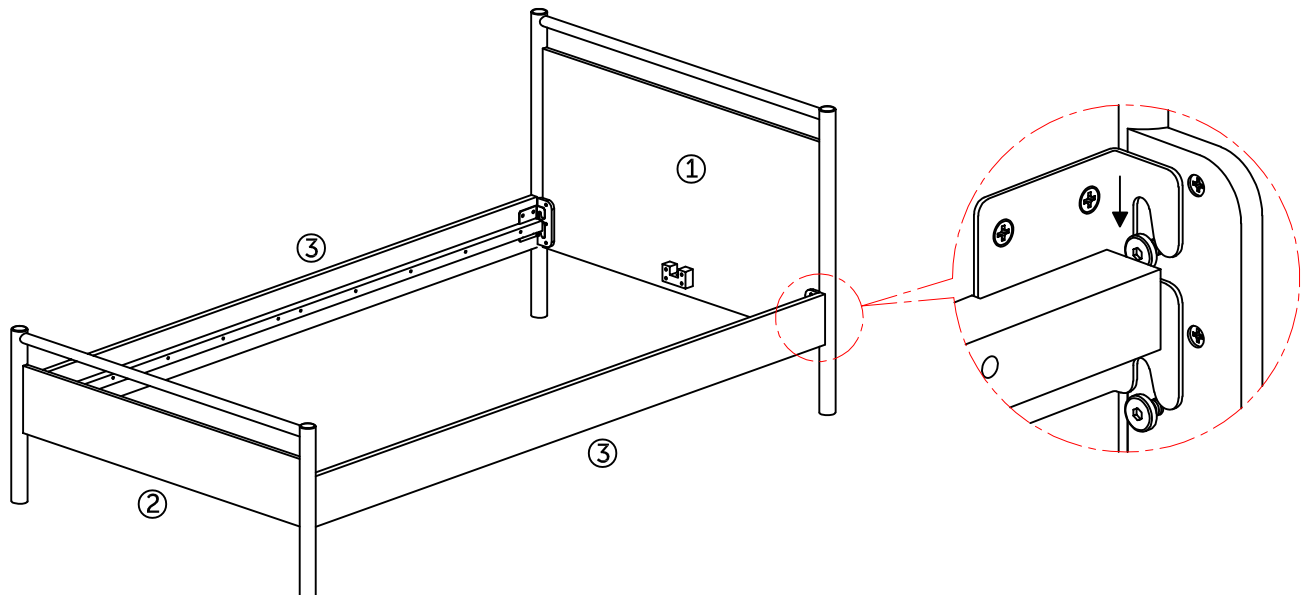
STEP 1



STEP 2



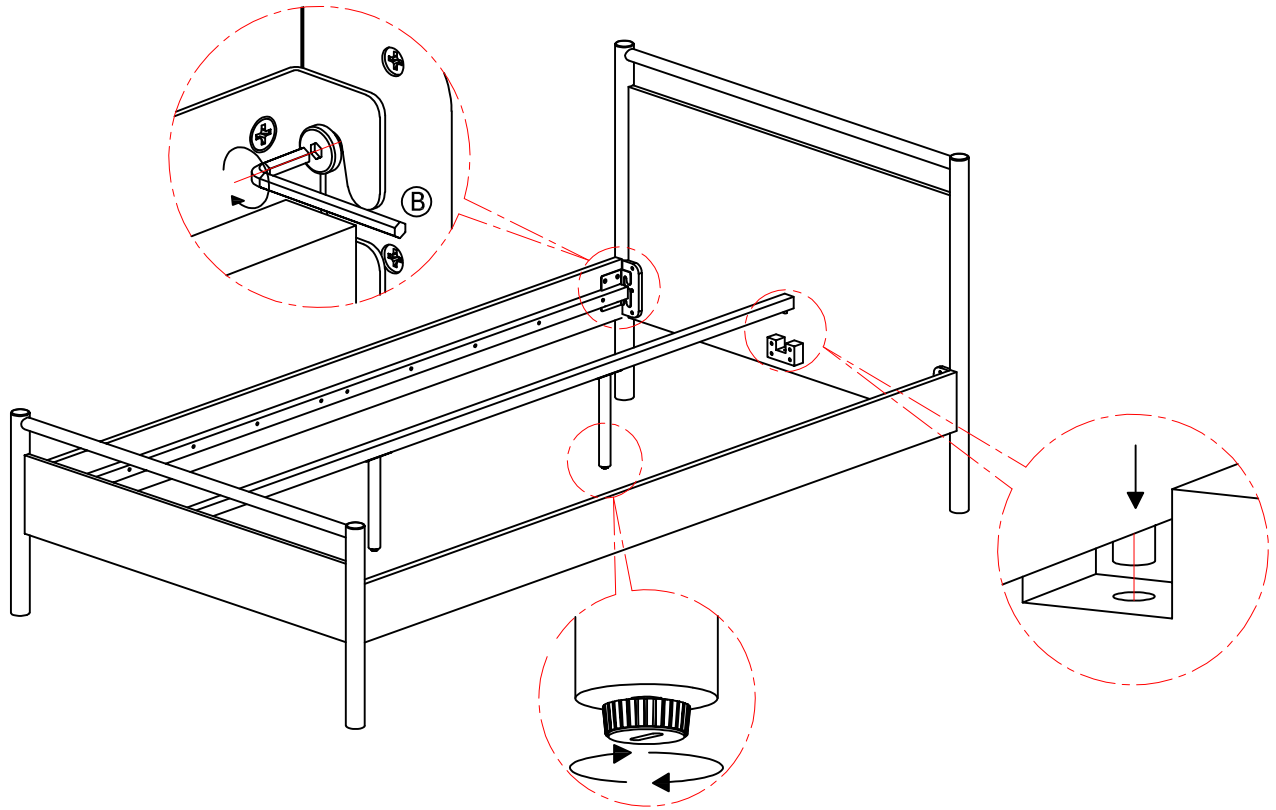
STEP 3



49980 - NOAH KING SINGLE BED

STEP 4

Tighten all the bolts.



STEP 5

