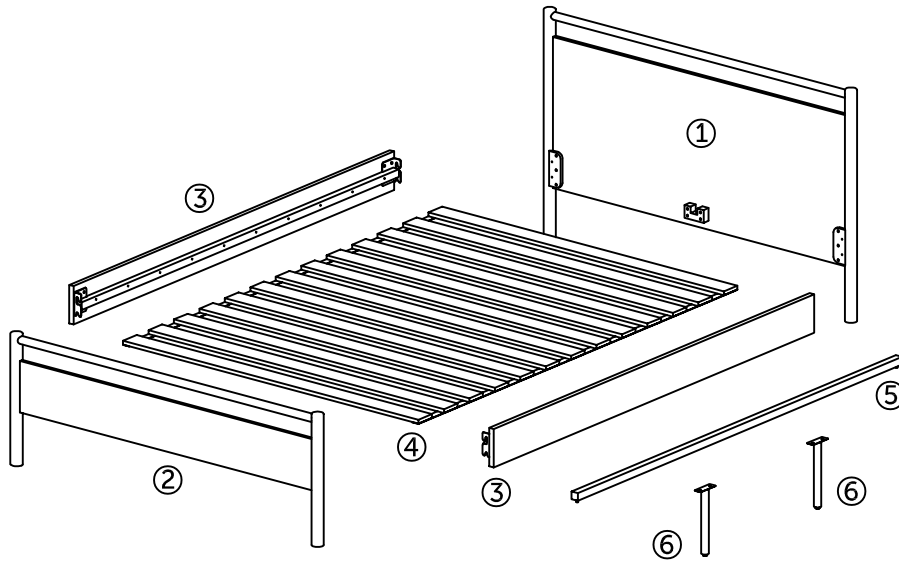


# ASSEMBLY INSTRUCTIONS

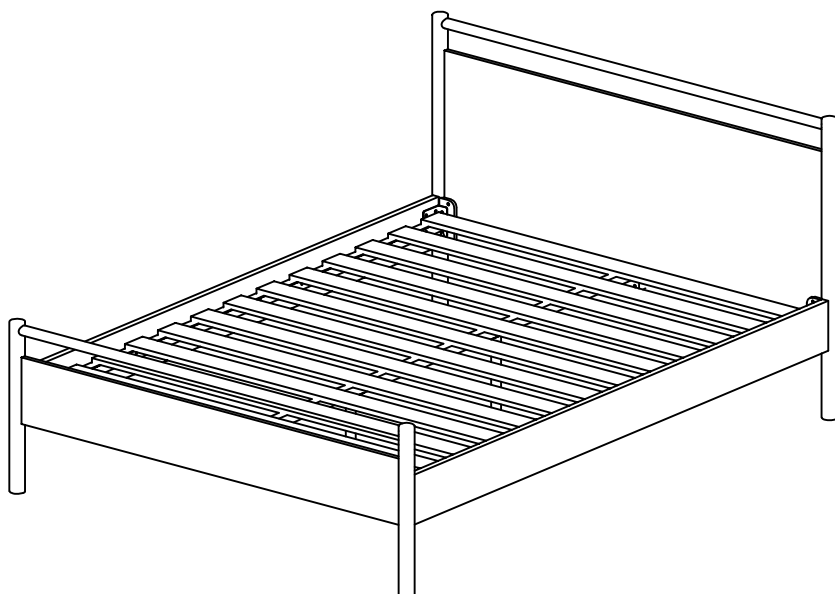
## 49980 - NOAH KING DOUBLE BED

Please read instructions carefully. Remove all wrapping material, staples and packing straps from the carton. See hardware and furniture parts list for guidance. Be sure you have all parts before you start assembling. Place all wooden furniture parts on a clean flat soft surface, such as carpet or rug to prevent from being scratched.



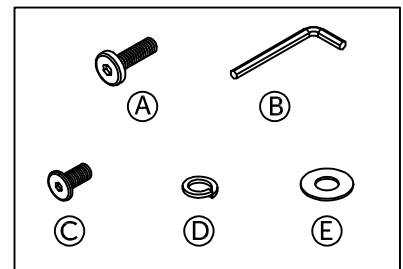
### PARTS LIST

1. Headboard	: 1pc
2. Footboard	: 1pc
3. Sideboard	: 2pcs
4. Rail	: 1pc
5. Metal support	: 1pc
6. Metal leg	: 2pcs



### HARDWARE LIST

A. Bolt	: 8pcs
B. Allen key	: 1pc
C. Bolt	: 4pcs
D. Spring washer	: 4pcs
E. Flat washer	: 4pcs

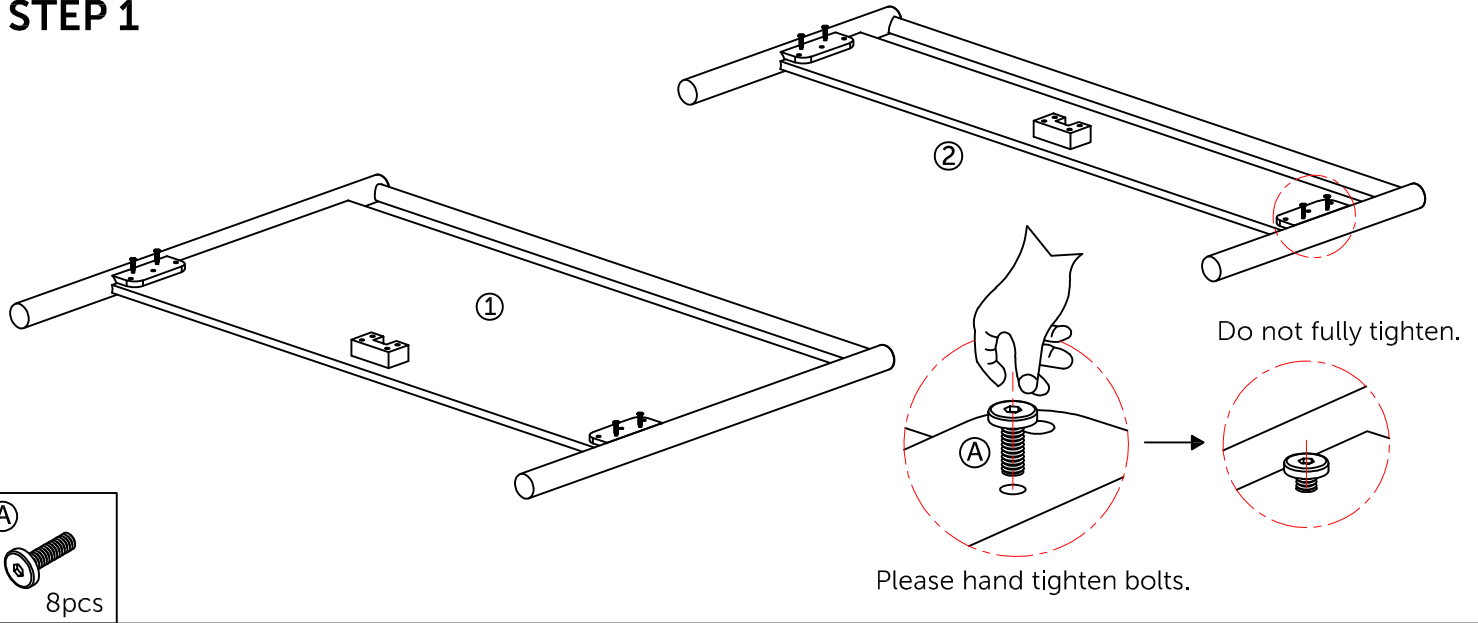


# ASSEMBLY INSTRUCTIONS

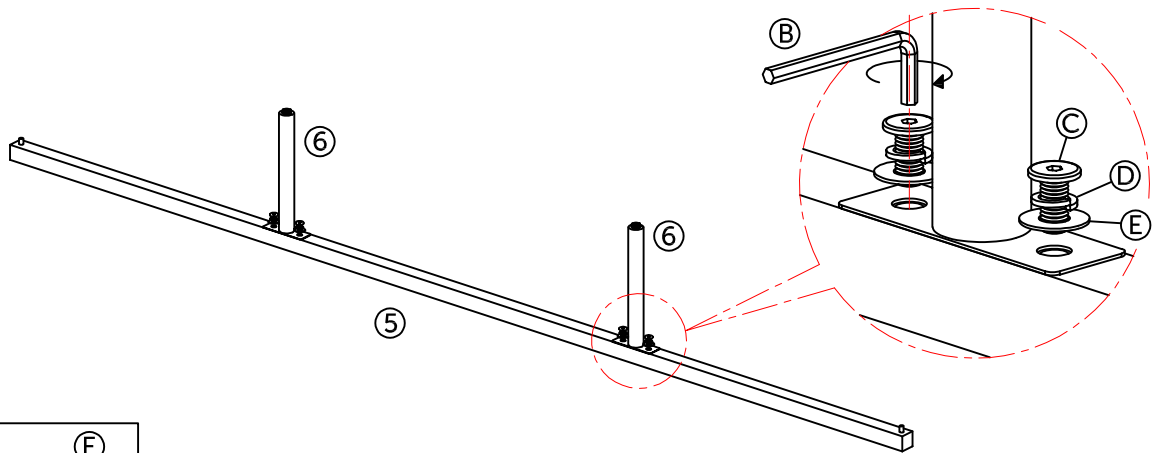
adairs kids

## 49980 - NOAH KING DOUBLE BED

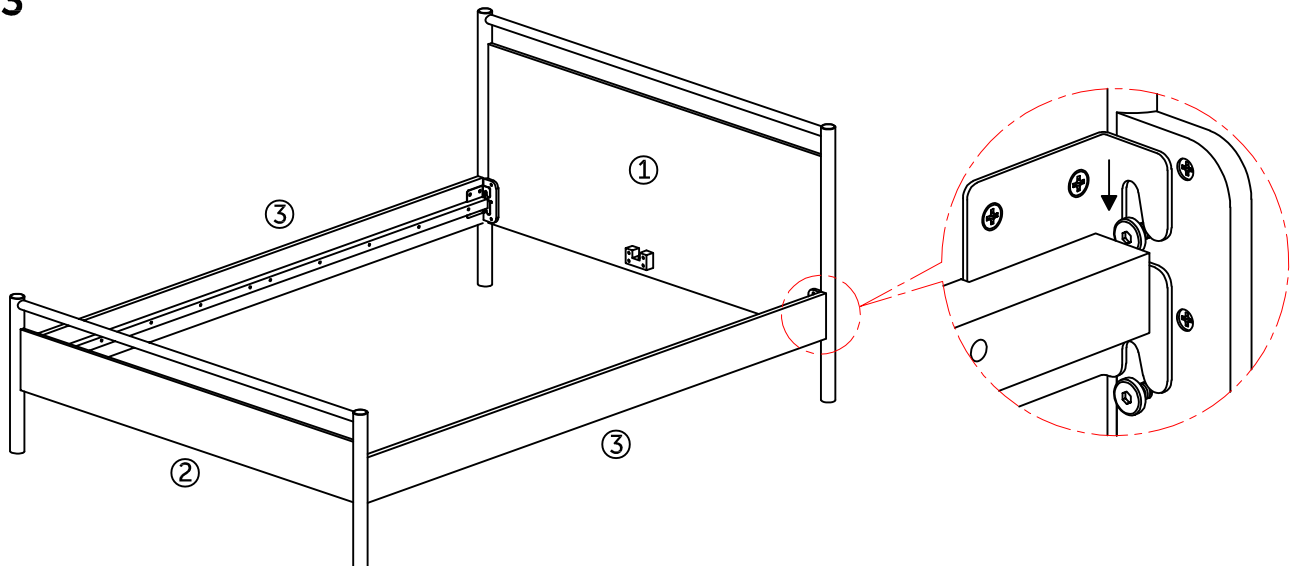
### STEP 1



### STEP 2



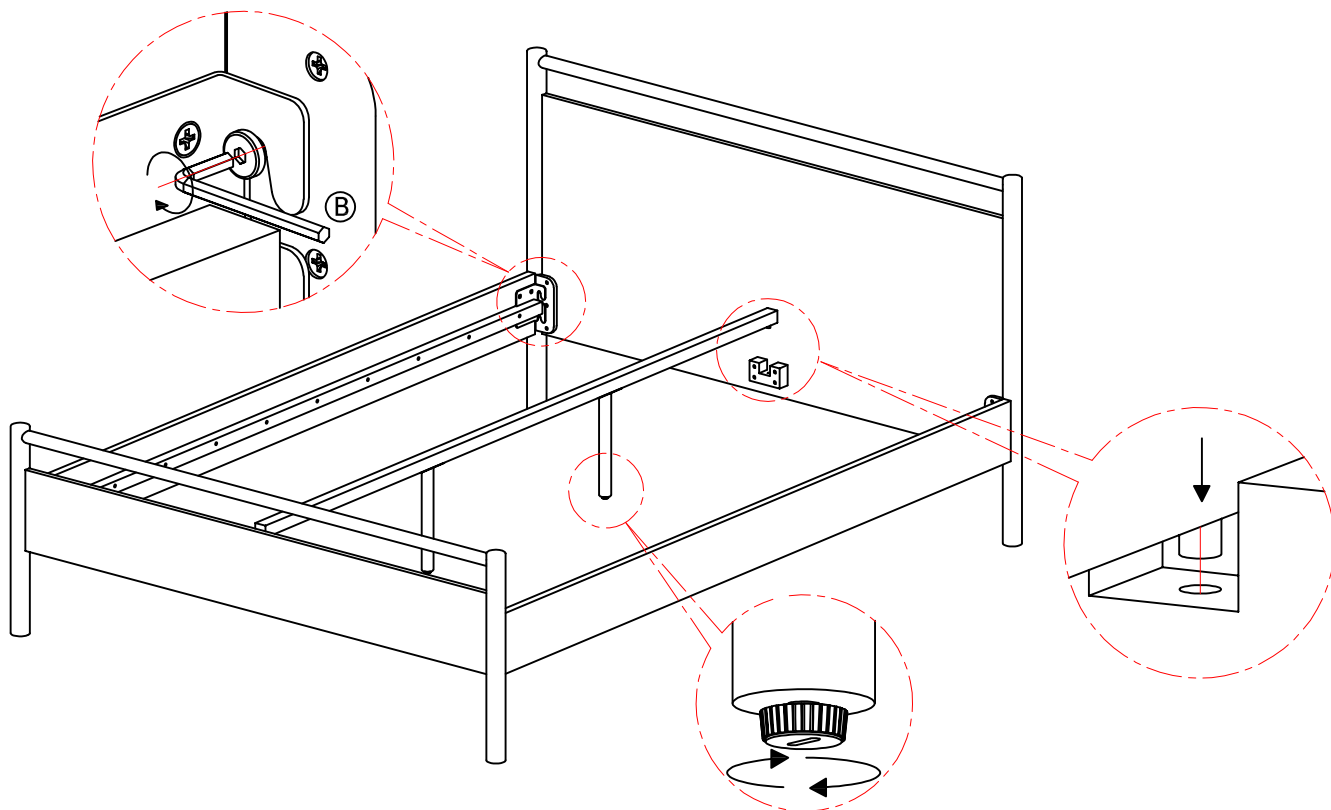
### STEP 3



## 49980 - NOAH KING DOUBLE BED

### STEP 4

Tighten all the bolts.



### STEP 5

