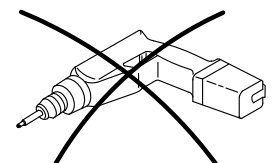
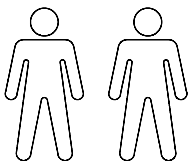
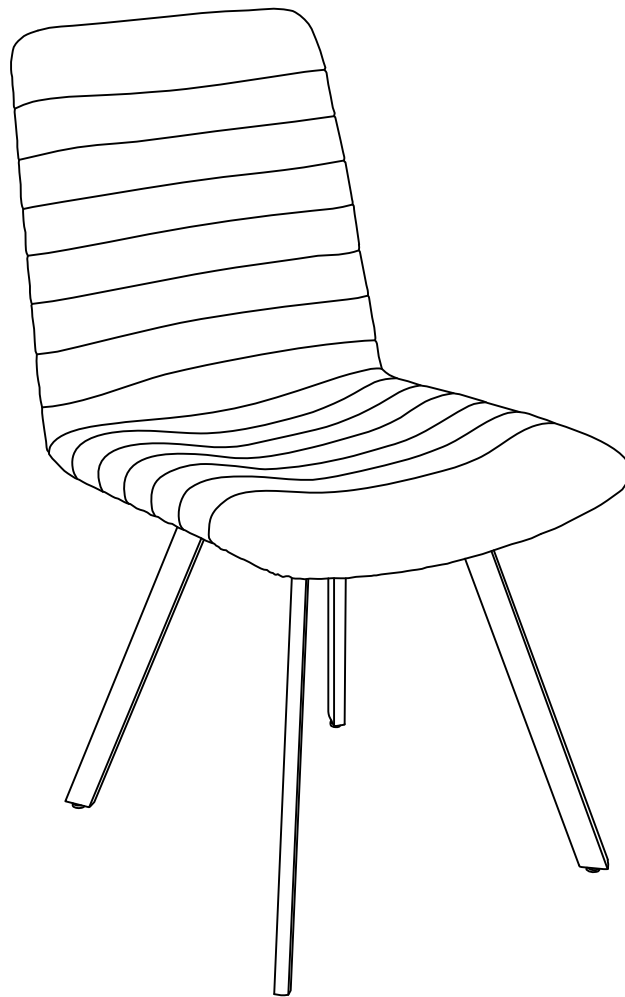




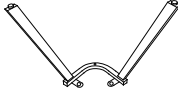
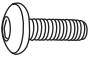
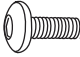


ASSEMBLY INSTRUCTIONS

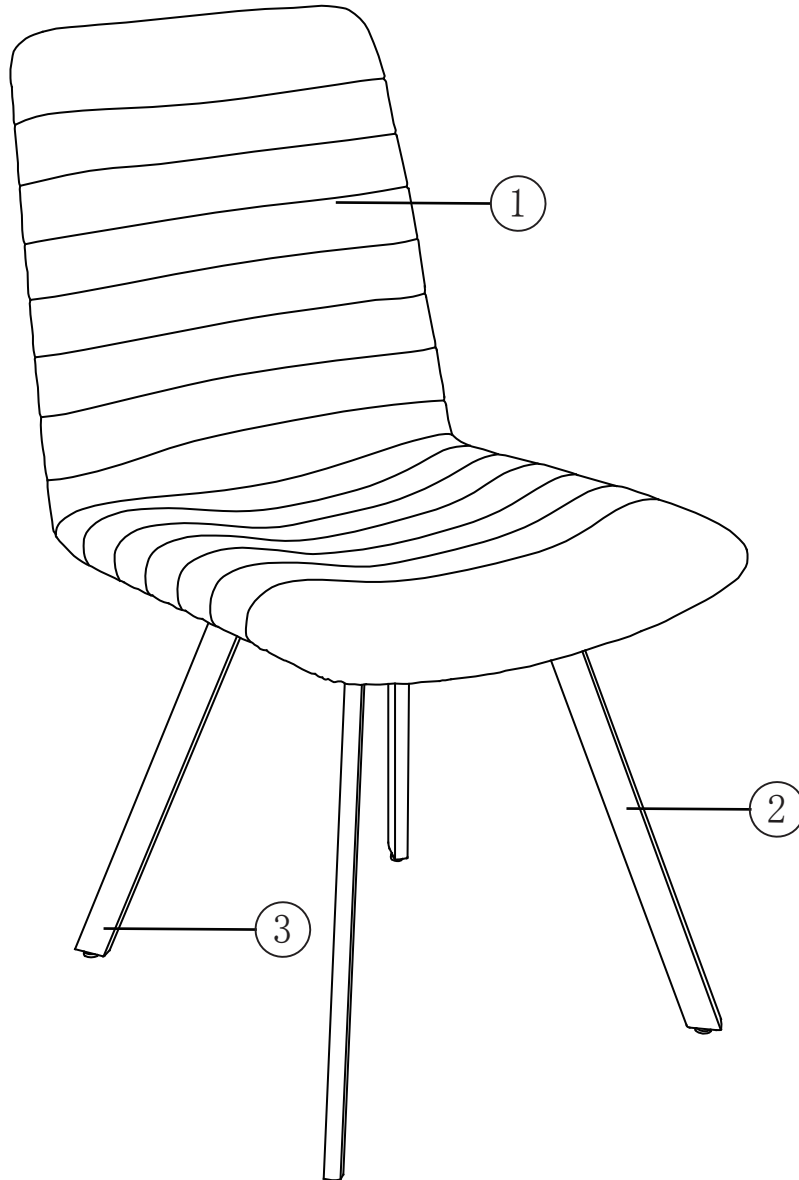
QUINN DINING CHAIR

Please read instructions carefully. Remove all wrapping material and packing from the carton. See hardware and furniture parts list for guidance. Be sure you have all parts before you start to assemble the product. Place all furniture parts on a clean surface, such as carpet or rug to prevent the item from being scratched.

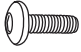
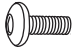




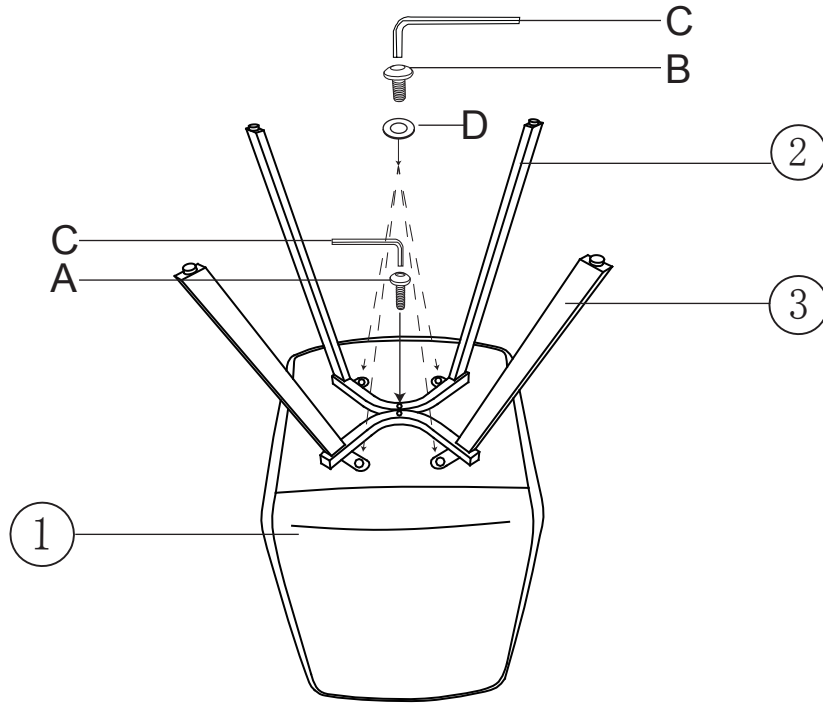
Part number	Description
1	1 x Seat
2	1 x Leg Right
3	1 x Leg left

① X1 	② x1 	③ x1 	
AX2 	BX4 	Cx1 	Dx4 
M6 x 35mm	M6 x 18mm	M6	M6 x 18 x 1.2mm



1

AX2  M6 x 35mm	BX4  M6 x 18mm	Cx1  M6	Dx4  M6 x 18 x 1.2mm
---	---	--	---



2

