

# ASSEMBLY INSTRUCTIONS

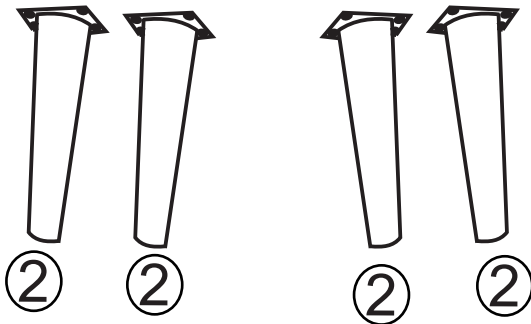
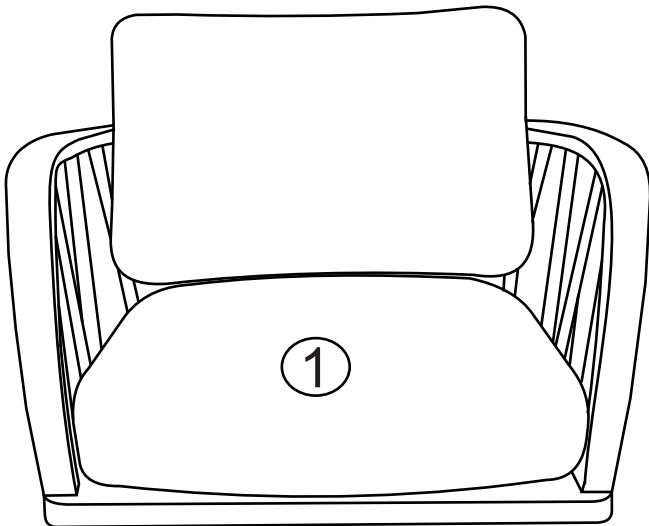
adairs

## HR CASPER CHAIR

Please read instructions carefully.

Remove all wrapping material, staples and packing straps from the carton. See the hardware and furniture parts list & check you have all parts before you start to assemble the product.

Place all furniture parts on a soft surface, such as a carpet or rug to prevent the item from being scratched.



### PARTS LIST

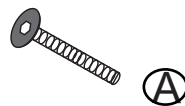
1. CHAIR SEAT : 1PC

2. LEG : 4PCS

### HARDWARE LIST

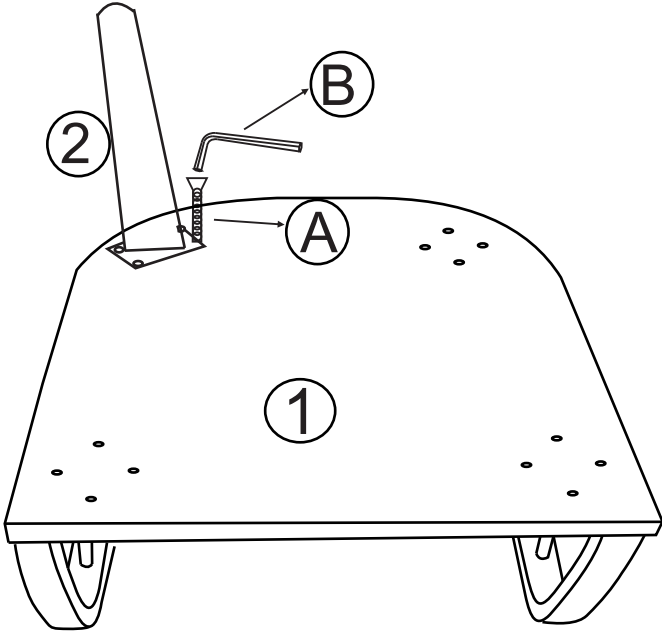
A. BOLT : 16 PCS

B. ALLEN KEY : 1 PC

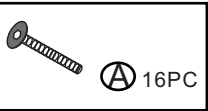
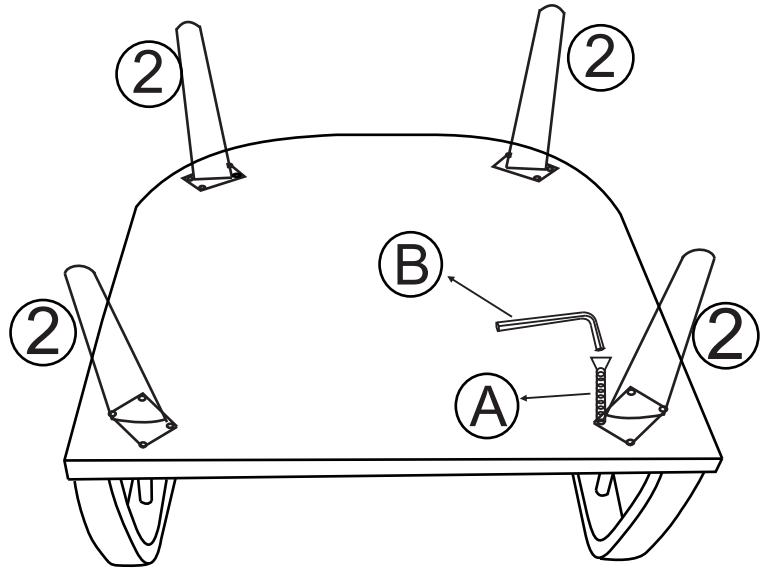


## HR CASPER CHAIR

Step1



Step2



Step3

