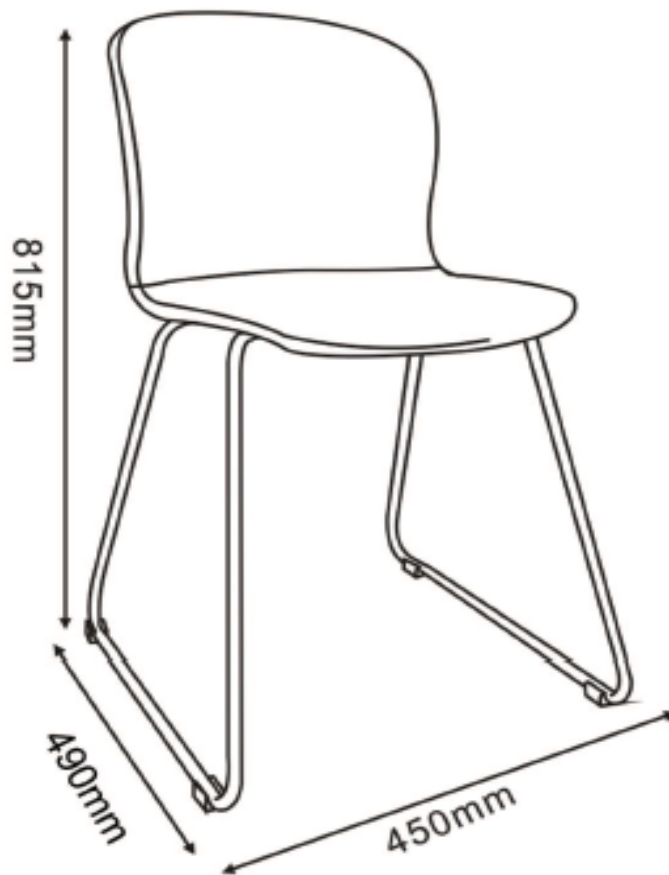
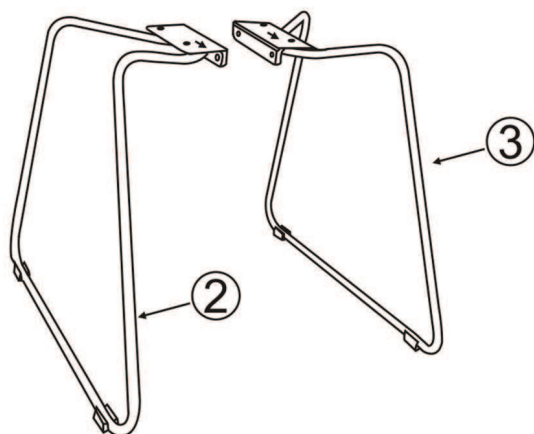
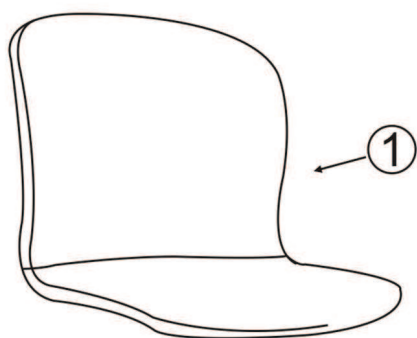


# ASSEMBLY INSTRUCTIONS

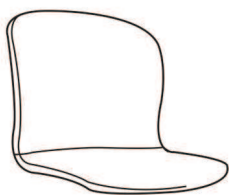
## DINING CHAIR SET OF 2 - ORLANDO

Please read instructions carefully. Remove all wrapping material, samples and packing straps from the carton. See hardware and furniture parts list for guidance. Be sure you have all parts before you start to assemble product. Place all furniture parts on a clean flat surface, such as carpet or rug to prevent from being scratched.





1x1



2x1



3x1



Ax2



M8x12mm

Bx4



M6x16mm

Cx4





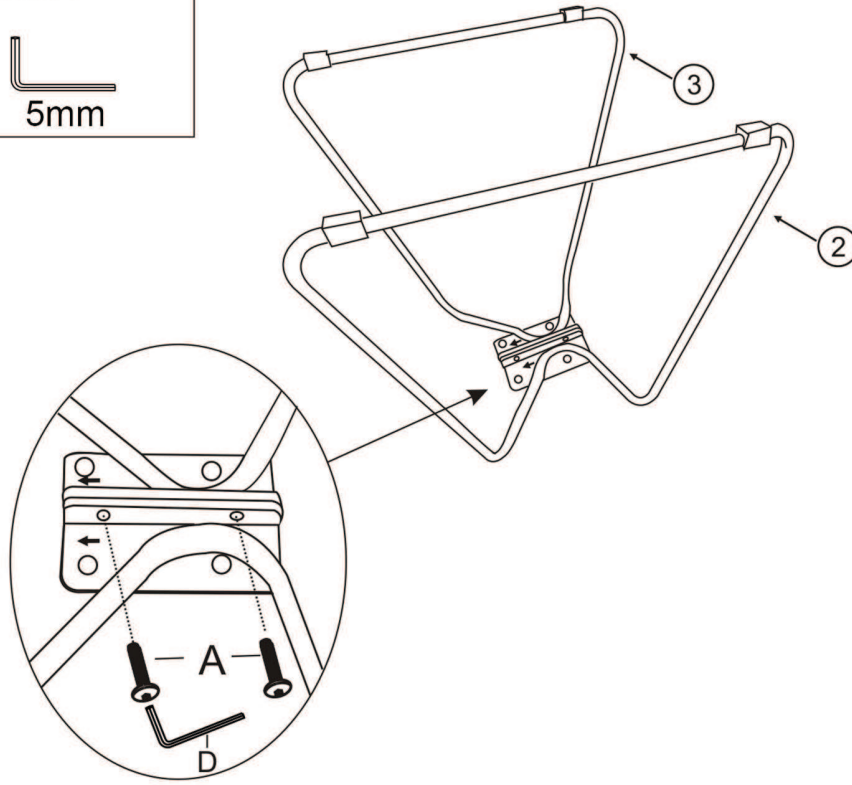
M6x1.2mm




Dx1



5mm

<b>Ax2</b>  M8x12mm	<b>Dx1</b>  5mm
---	--



<b>Bx4</b>  M6x16mm	<b>Cx4</b>  M6x1.2mm	<b>Dx1</b>  5mm
---	---	--

