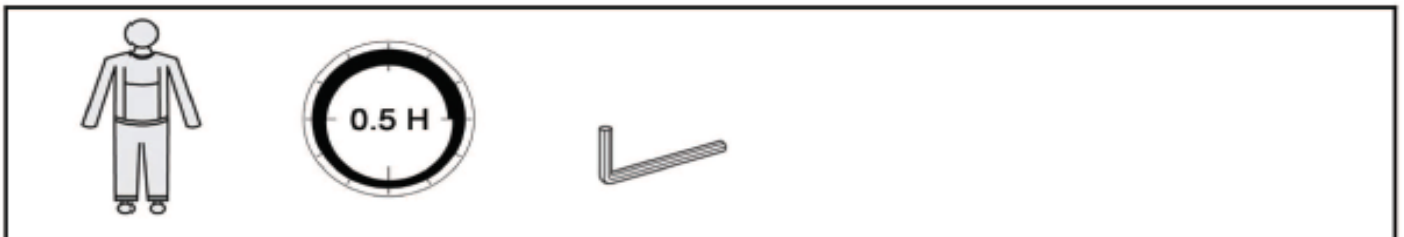
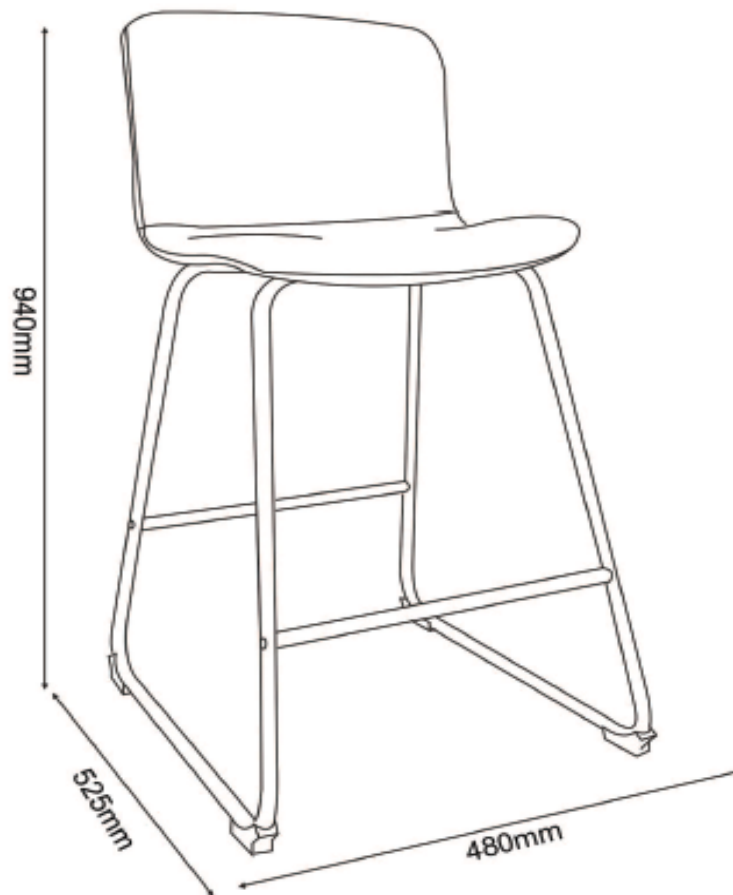
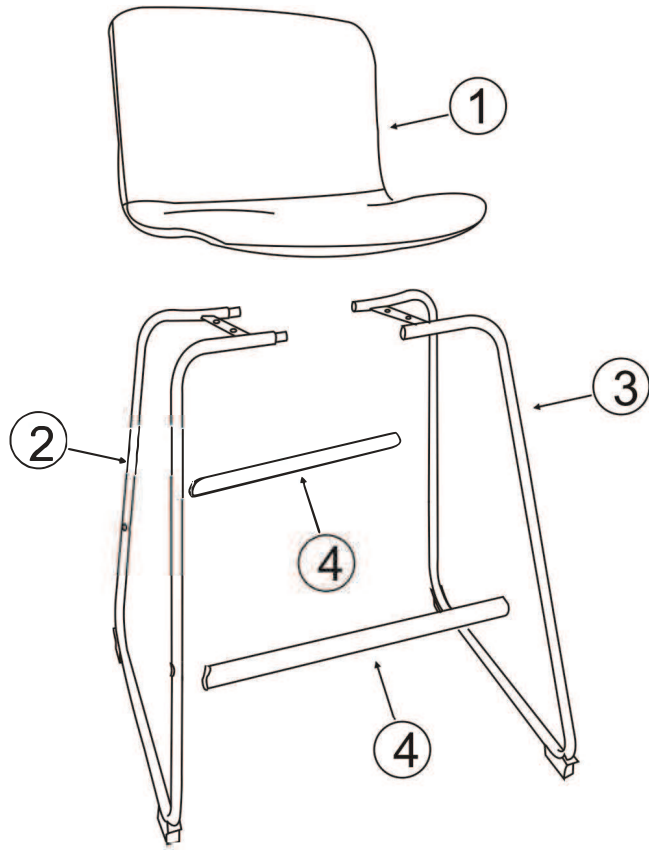










ASSEMBLY INSTRUCTIONS

COUNTER STOOL - ORLANDO

Please read instructions carefully. Remove all wrapping material, samples and packing straps from the carton. See hardware and furniture parts list for guidance. Be sure you have all parts before you start to assemble product. Place all furniture parts on a clean flat surface, such as carpet or rug to prevent from being scratched.





<p>1x1</p> 	<p>2x1</p> 	<p>3x1</p> 	<p>4x2</p> 	
<p>Ax4</p>  <p>M6x20mm</p>	<p>Bx4</p>  <p>M6x30mm</p>	<p>Cx4</p>  <p>M6x1.2mm</p>	<p>Dx1</p>  <p>5mm</p>	

Bx2

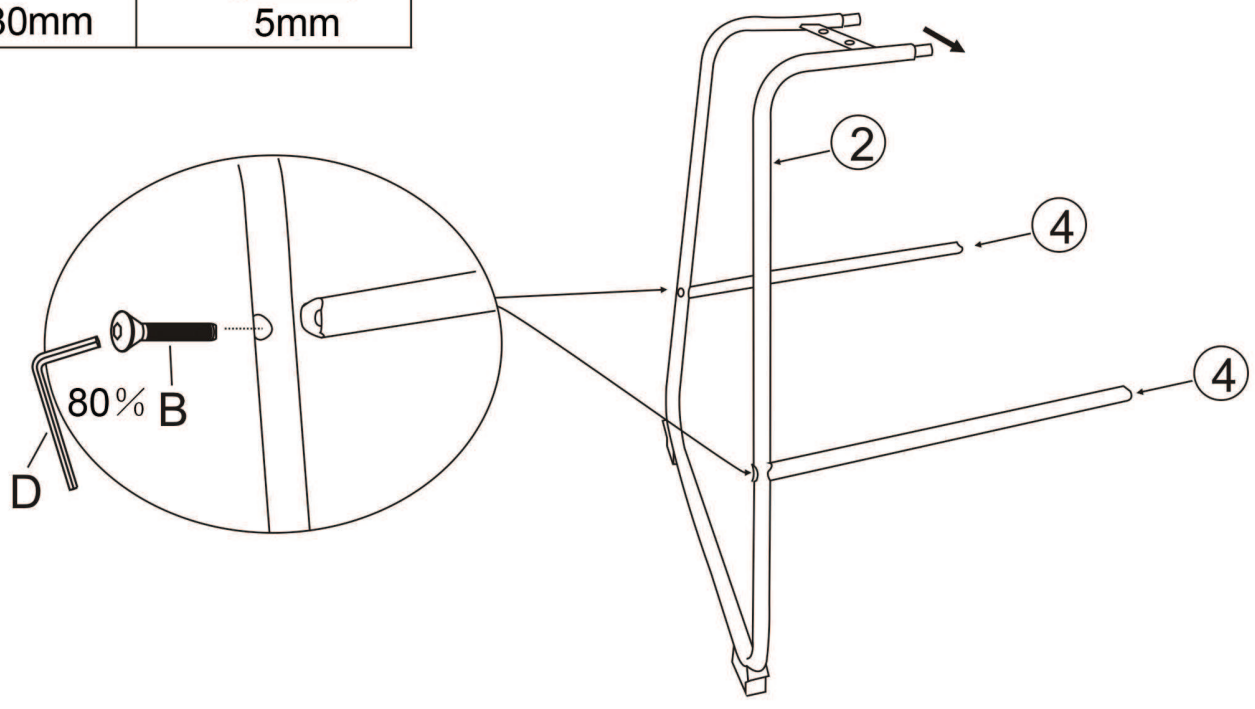


M6x30mm

Dx1



5mm



Bx2

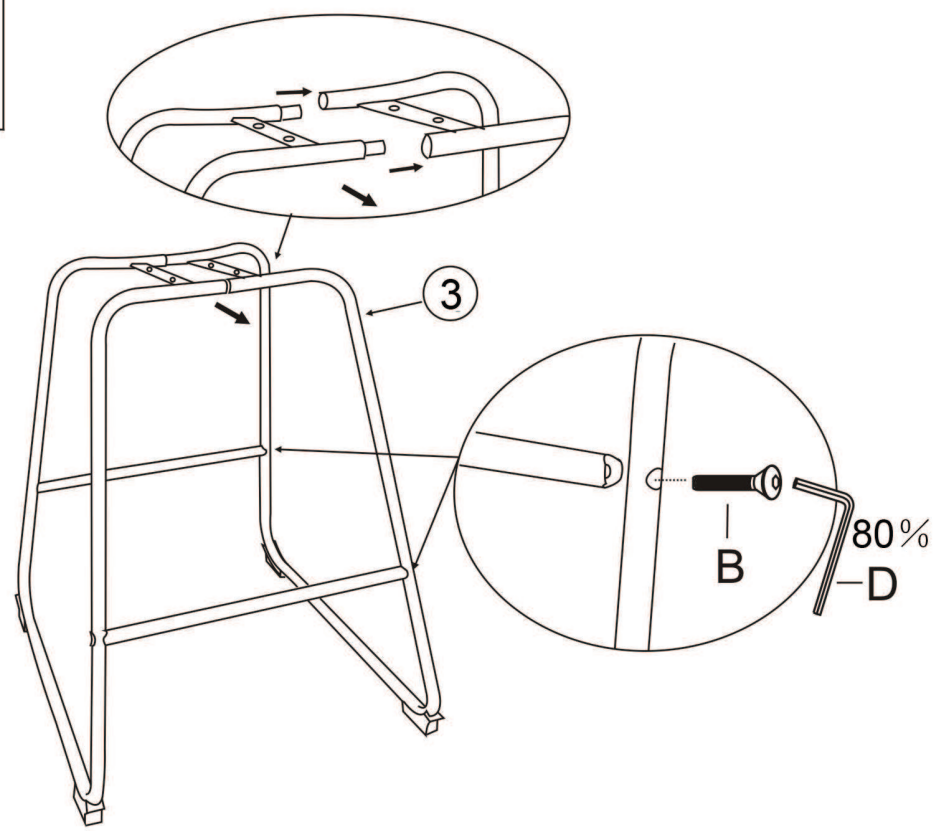


M6x30mm

Dx1



5mm



Ax4



M6x20mm

Cx4



M6x1.2mm

Dx1



5mm

