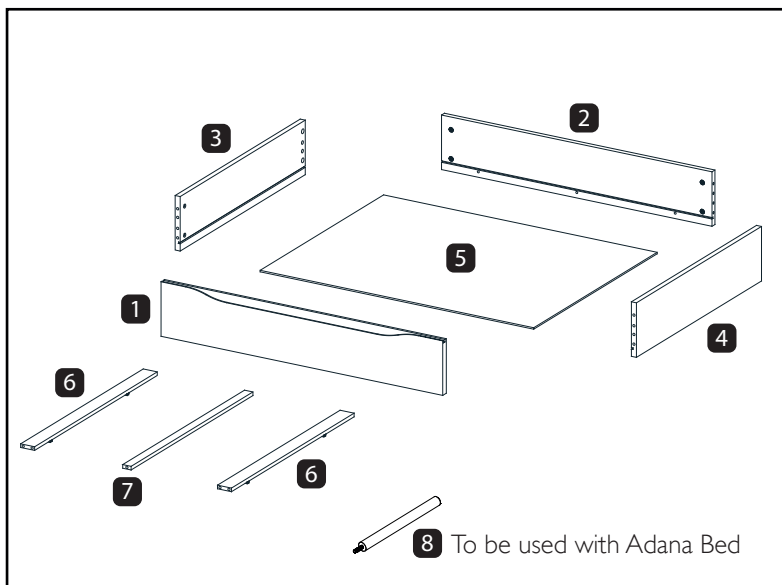
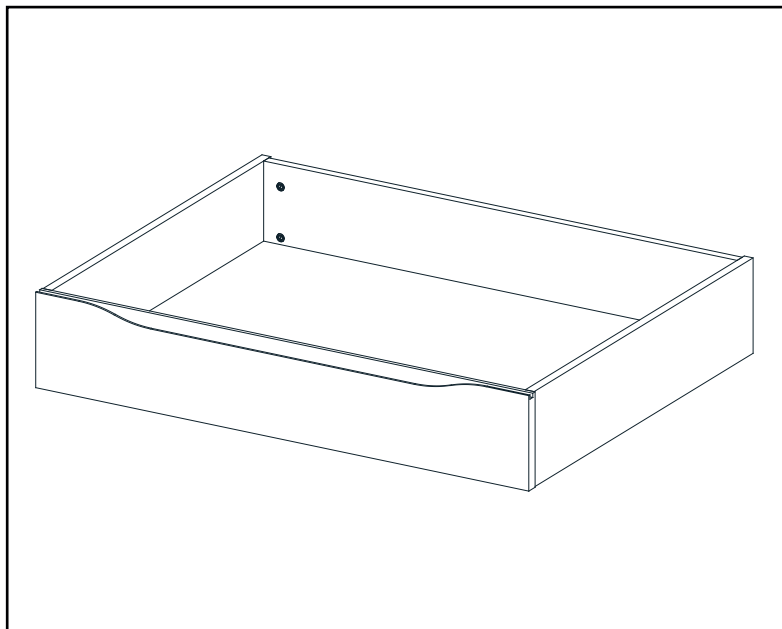


ASSEMBLY INSTRUCTIONS

European Collection Adana Timber Furniture Bed Drawer

Please read instructions carefully. Remove all wrapping material, staples and packing straps from the carton. See hardware and furniture parts list for guidance. Be sure you have all parts before you start to assemble product. Place all furniture parts on a clean flat surface, such as carpet or rug to prevent from being scratched.



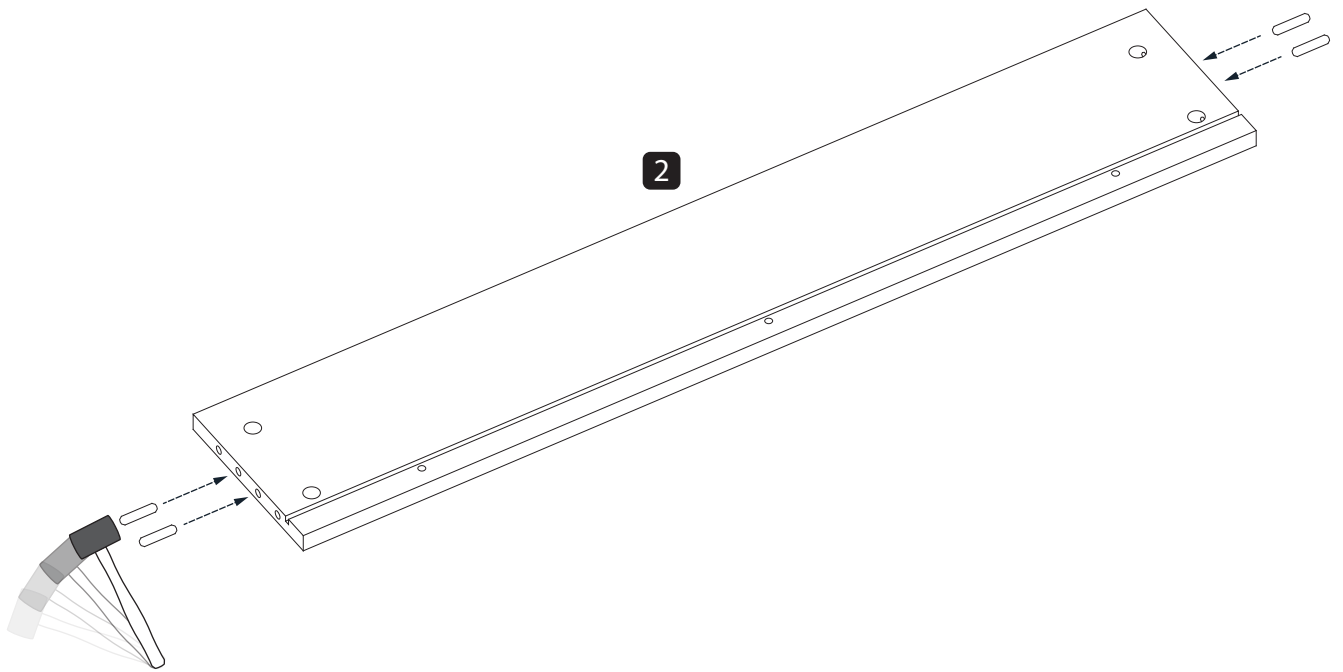
PARTS INCLUDED

1		1 pc
2		1 pc
3		1 pc
4		1 pc
5		1 pc
6		2 pcs
7		1 pc
8		1 pc

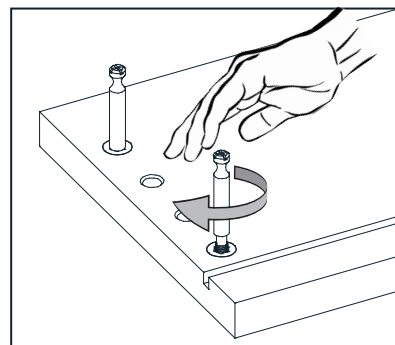
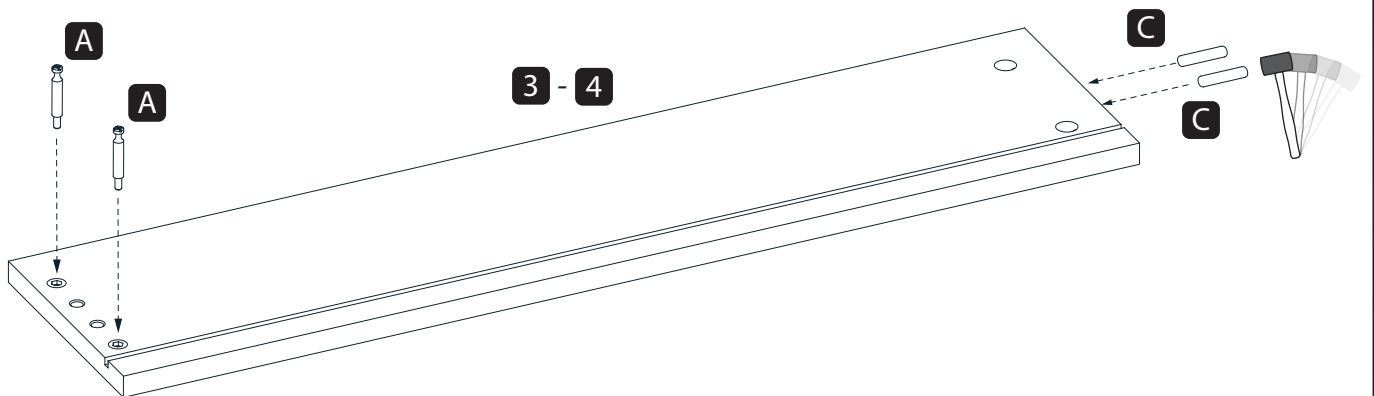
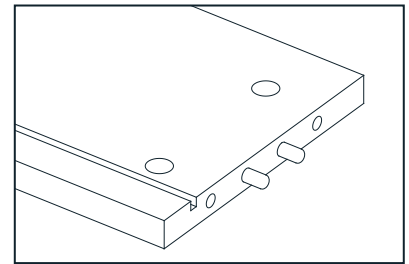
HARDWARE LIST

A		8 pcs
B		8 pcs
C		13 pcs 8x35mm
D		3 pcs
E		1 pc M4

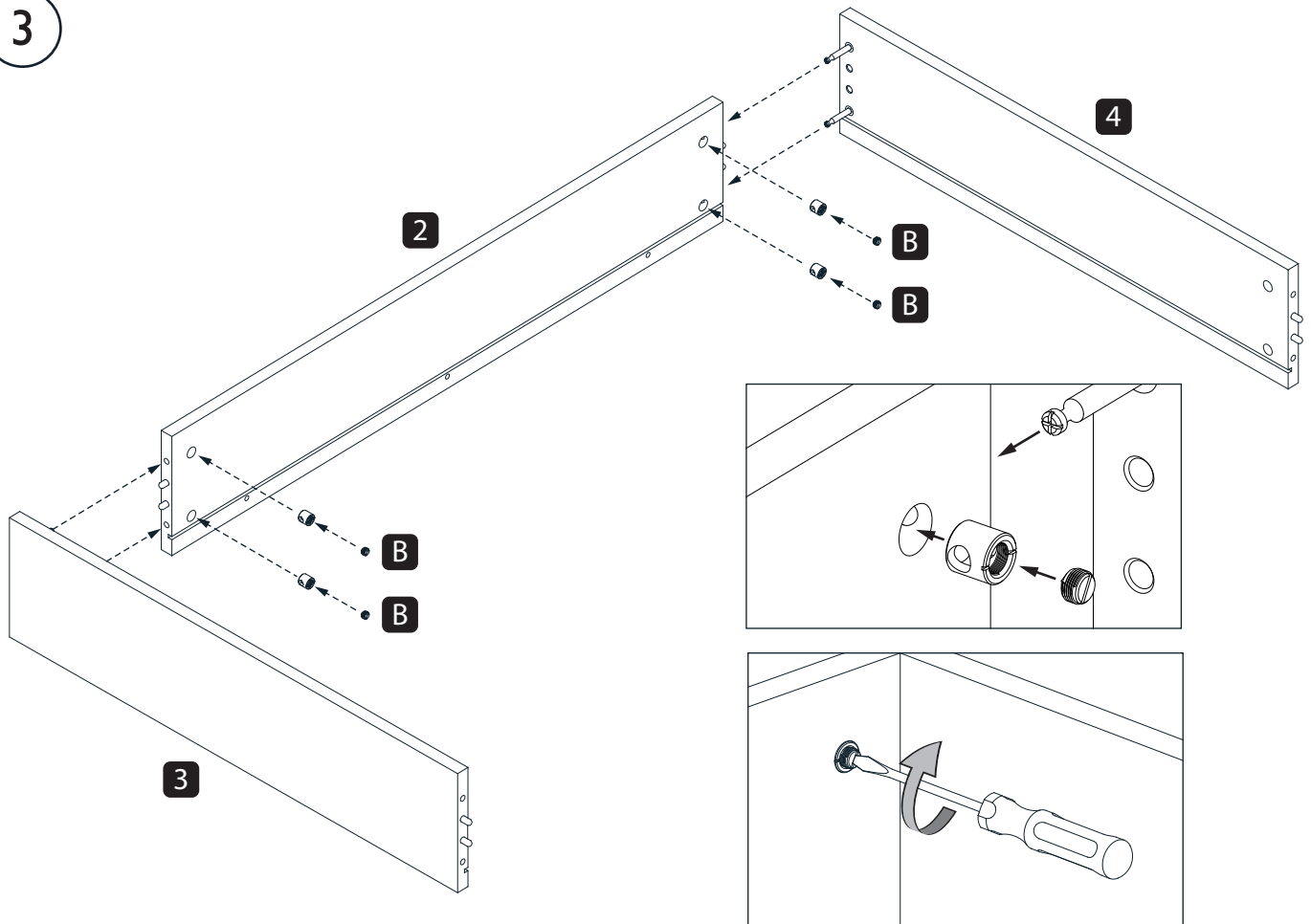
1



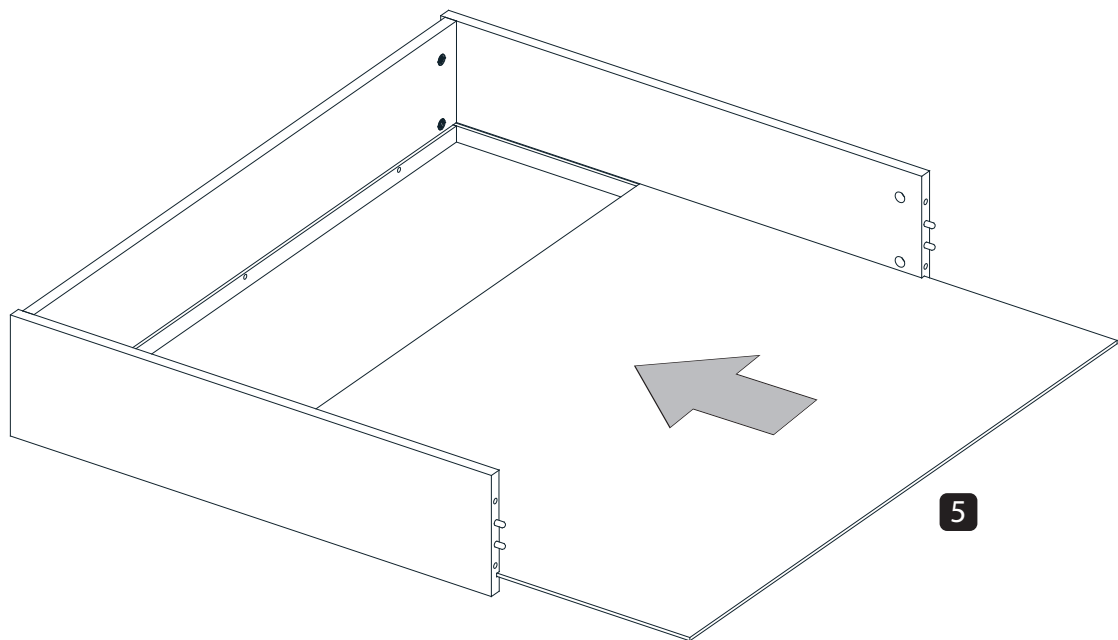
2



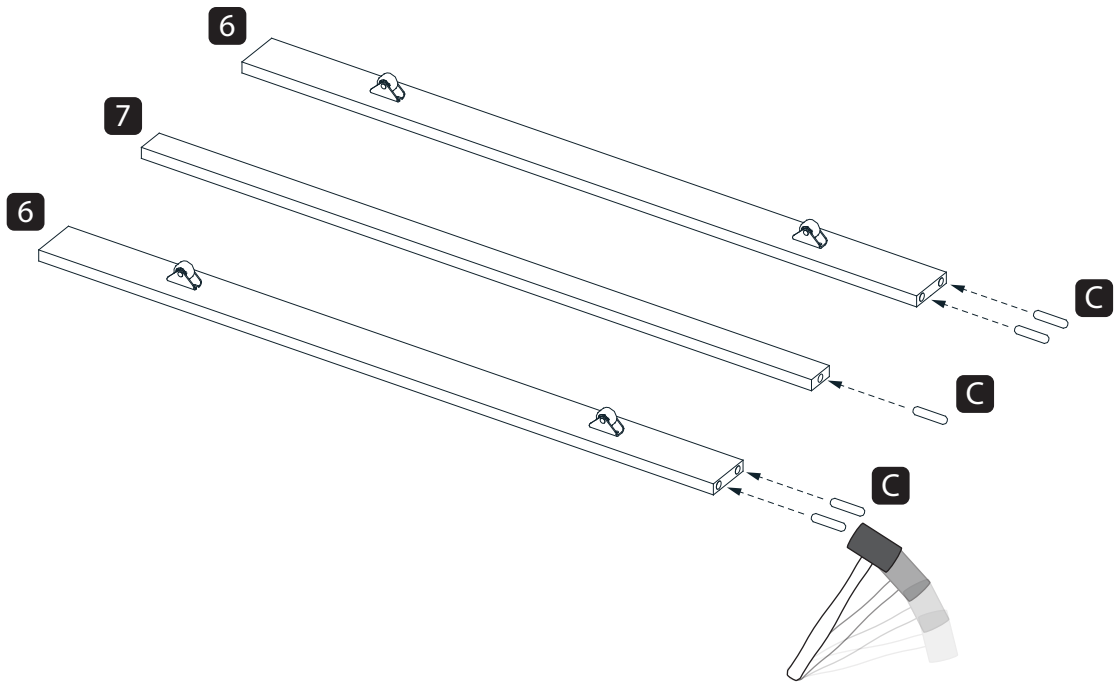
3



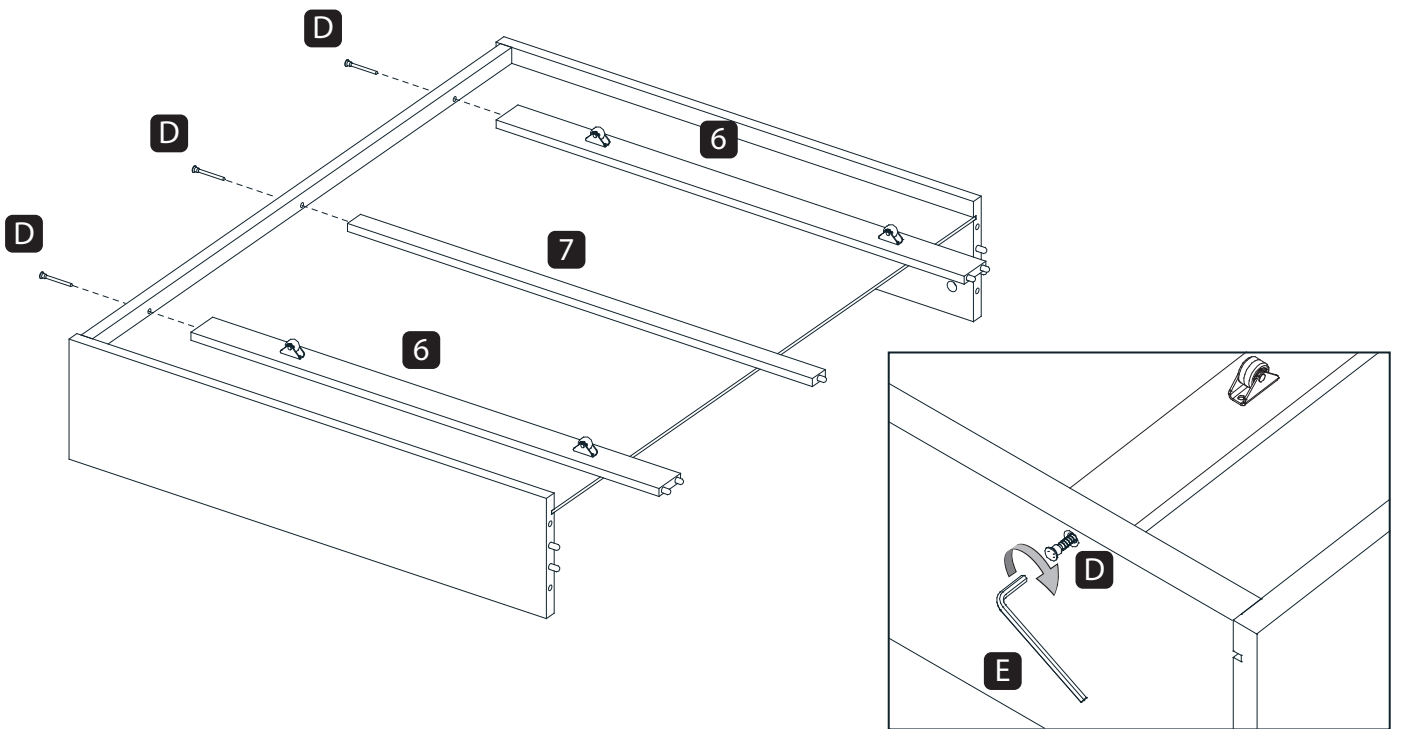
4



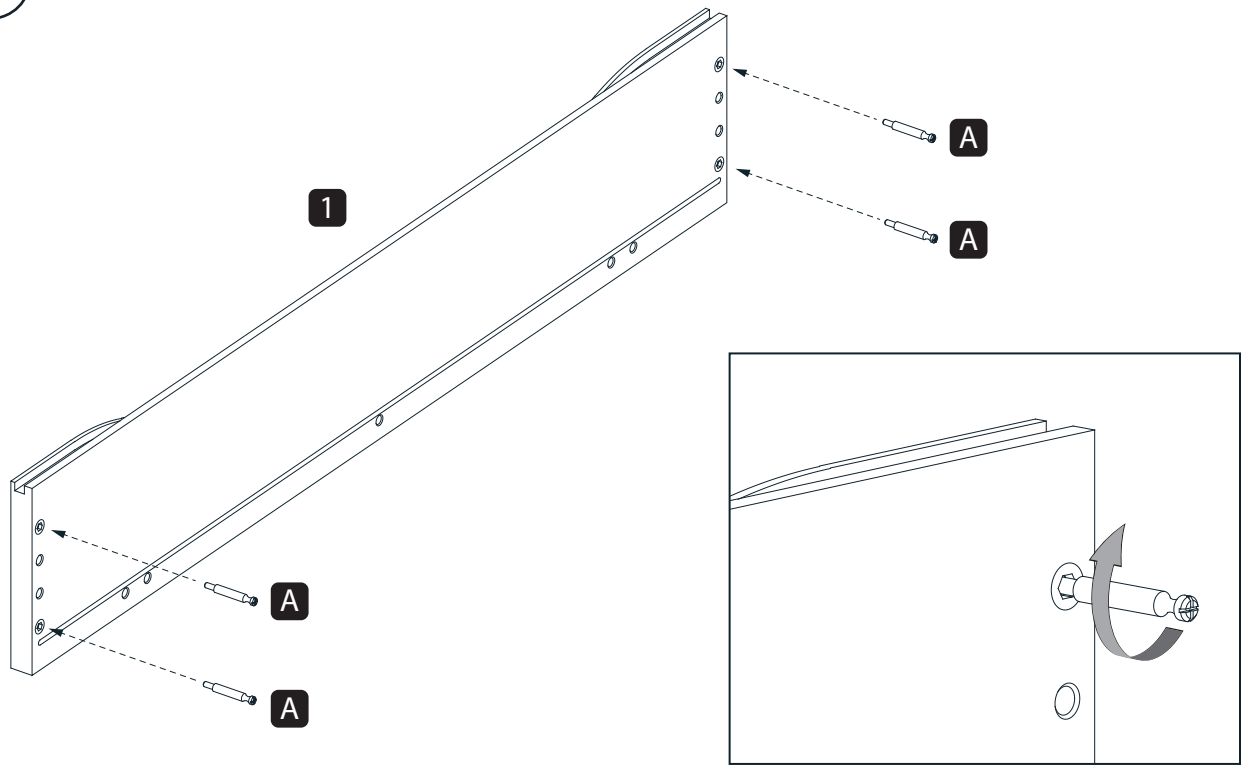
5



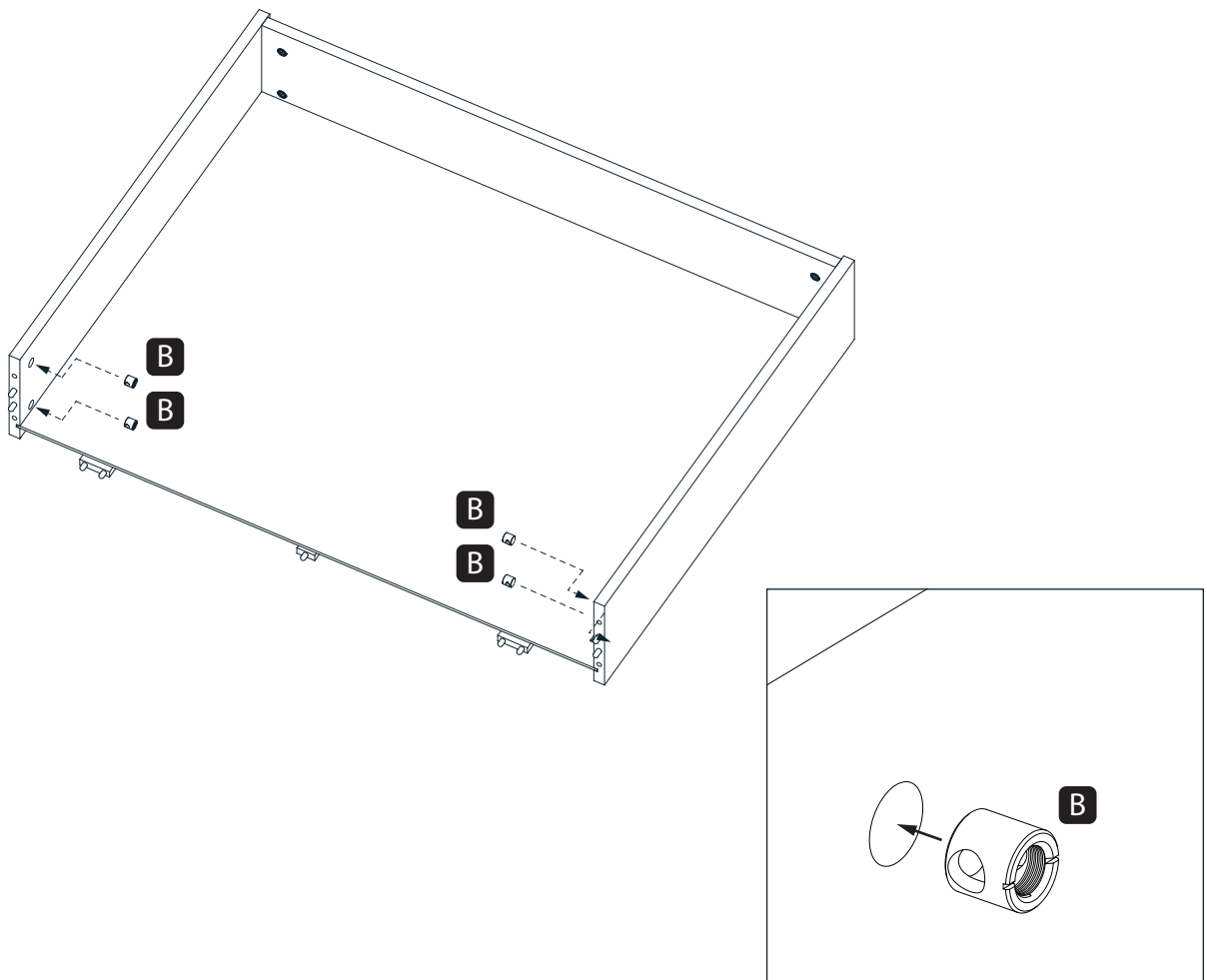
6



7



8



9

