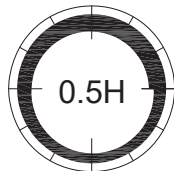
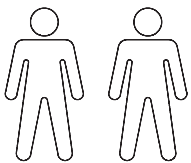


ASSEMBLY INSTRUCTIONS

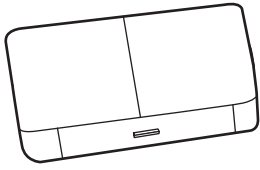
RIVER BED QUEEN

Please read instructions carefully. Remove all wrapping material and packing from the carton. See hardware and furniture parts list for guidance. Be sure you have all parts before you start to assemble the product. Place all furniture parts on a clean surface, such as carpet or rug to prevent the item from being scratched.



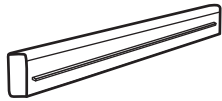
Part list:

1 x Part 1



Headboard

2 x Part 2



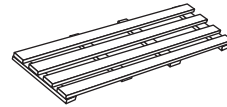
Side rail

1 x Part 3



Footboard

4 x Part 4



Slats

1 x Part 5



Middle support

2 x Part 6



Support leg

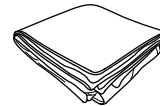
2 x Part 7



4 x Part 8



1 x Part 9



Hardware list:

Ax4



Bx4



Cx10



Dx10



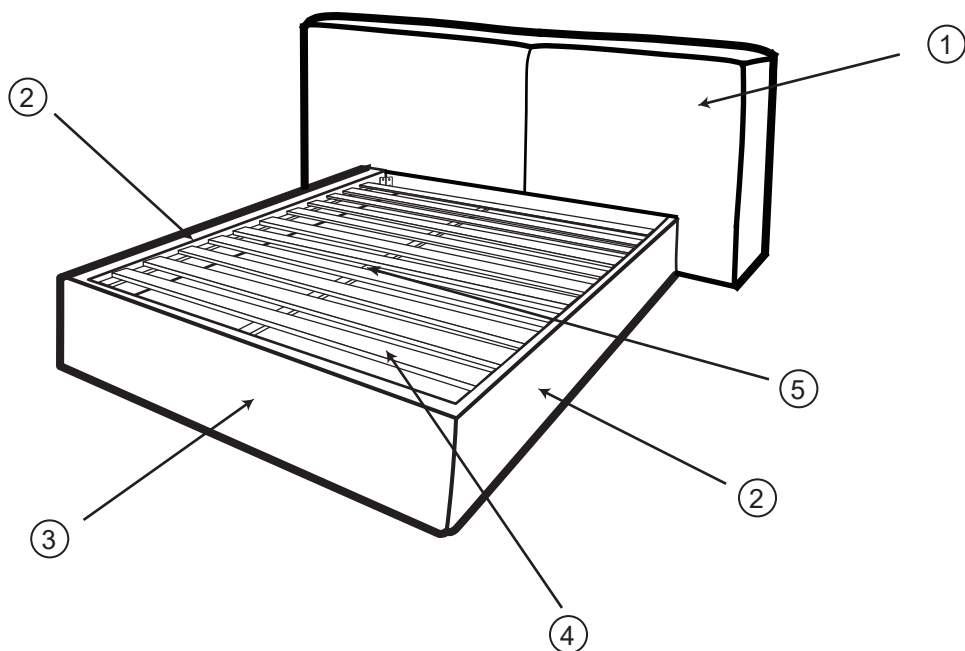
M8 x50mm

Ex36



M8 x20mm

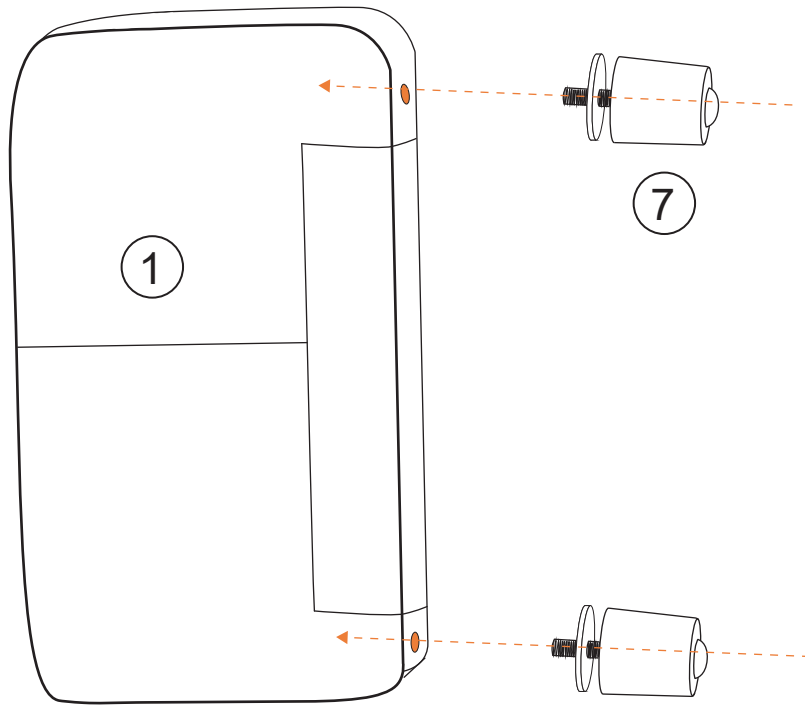
Fx2



⑦ x2



1



⑧ x4



Ⓐ x4



Ⓑ x4



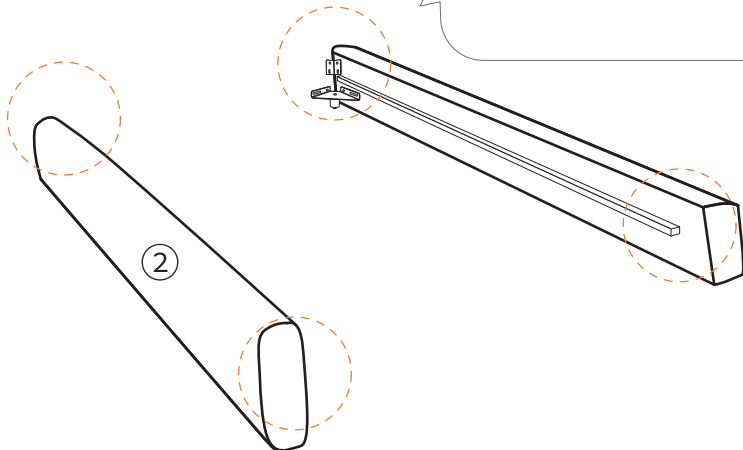
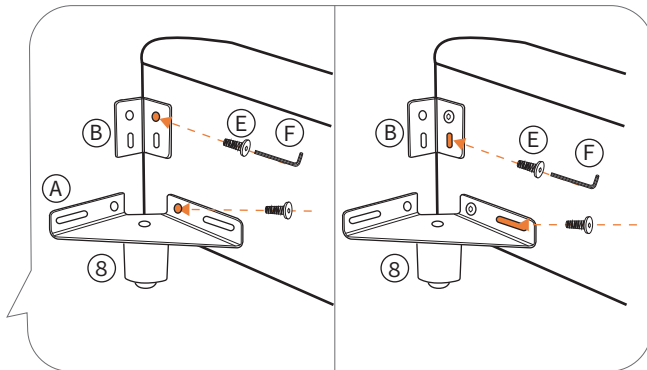
Ⓔ x20



Ⓕ x1



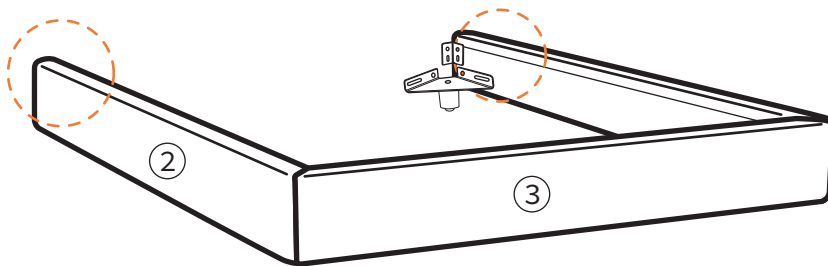
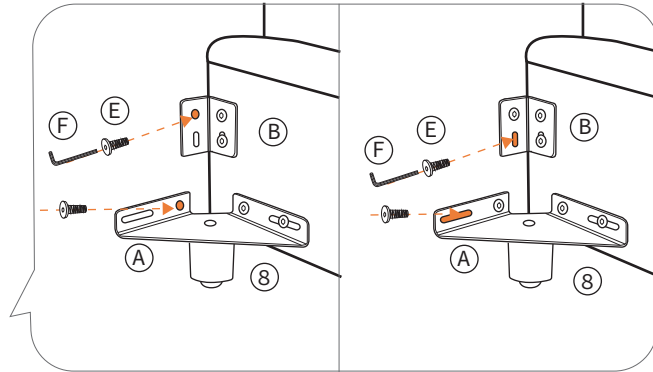
2



3

Ⓔ x8

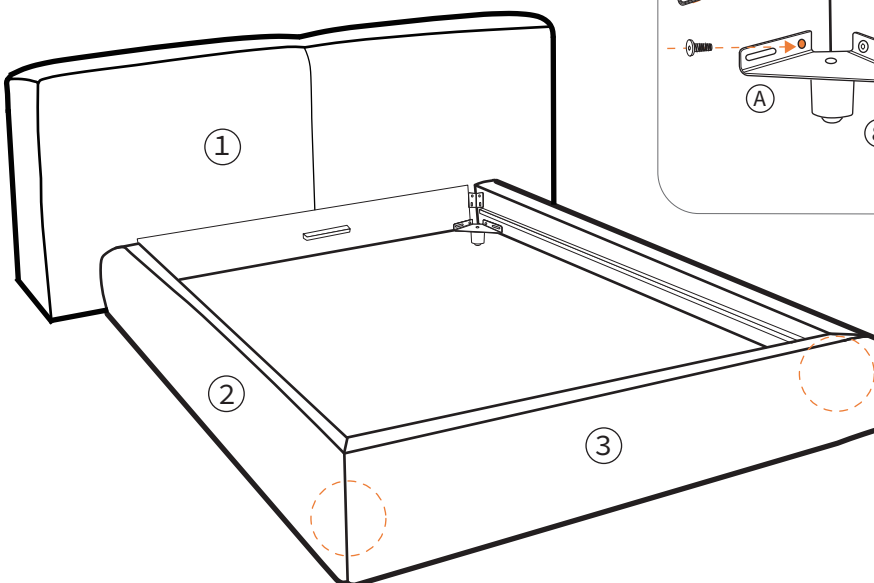
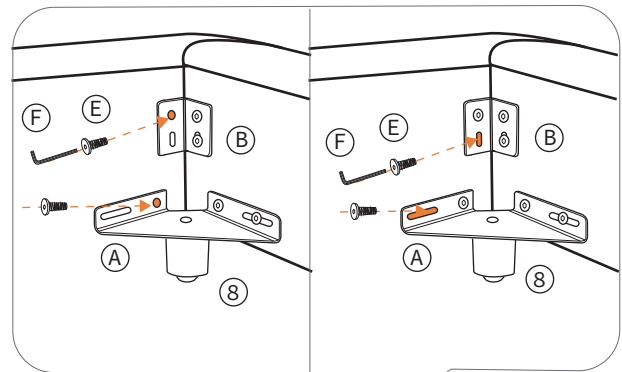
Ⓕ x1

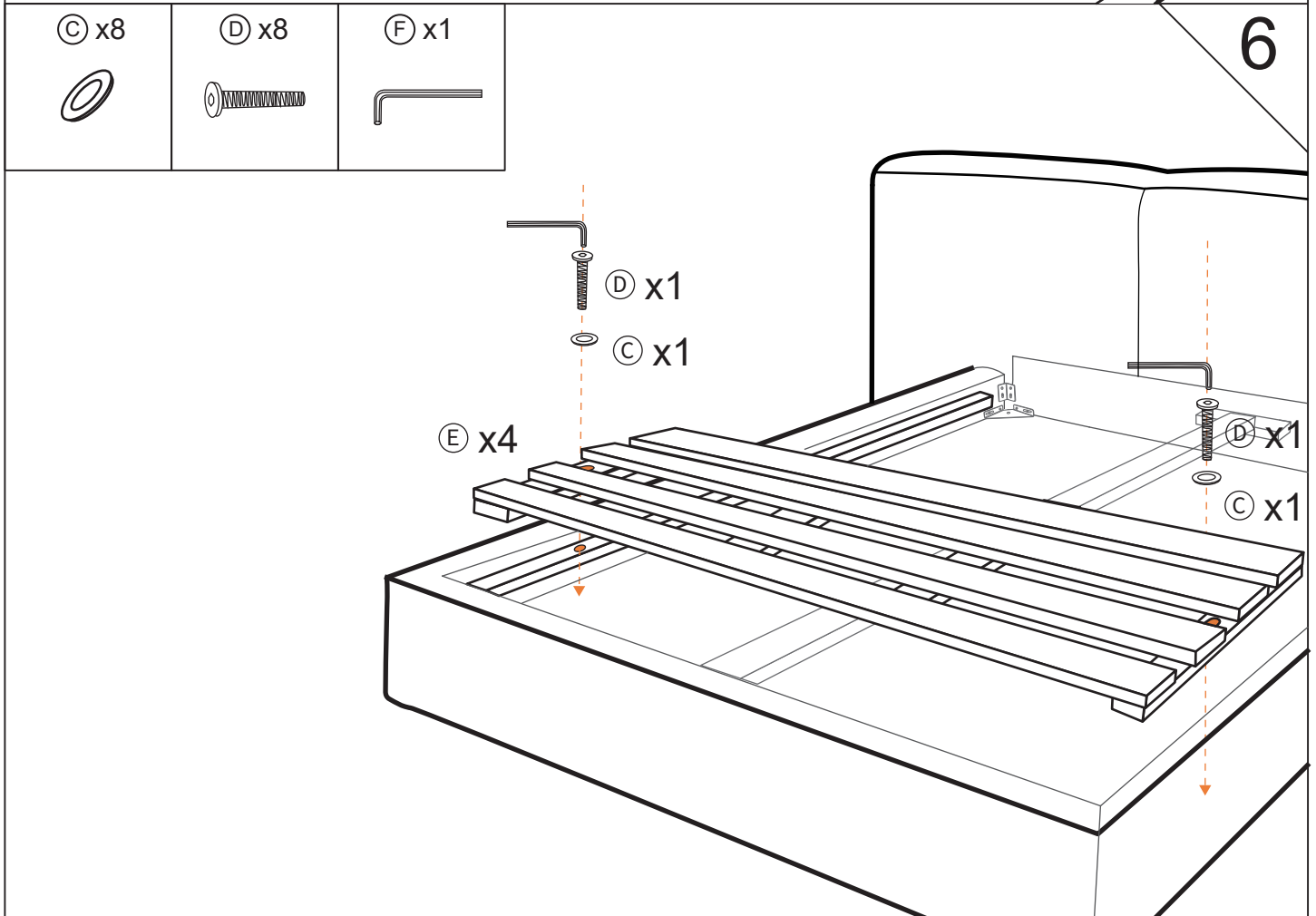
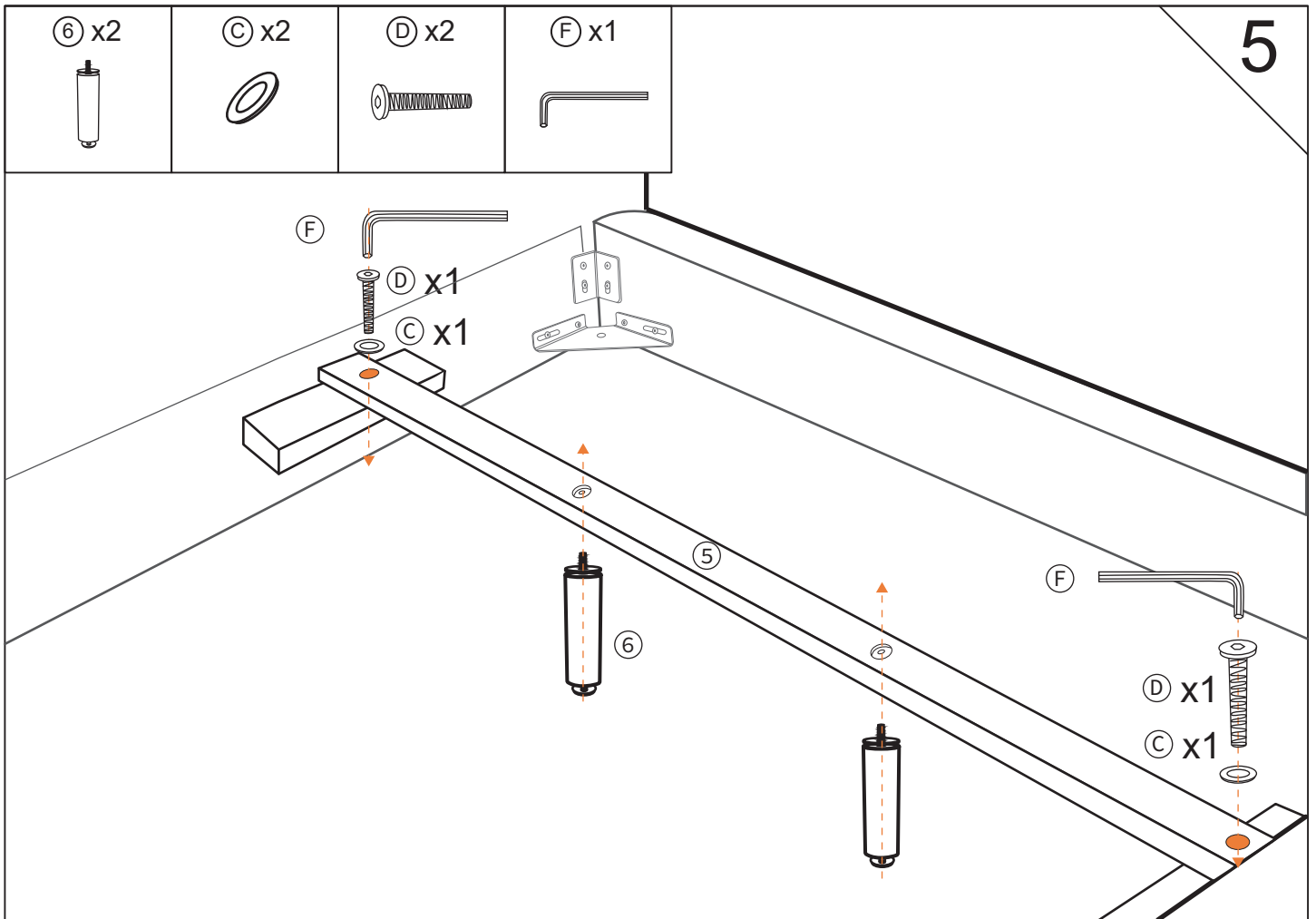


4

Ⓔ x8

Ⓕ x1





⑨ x1

7

