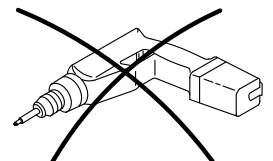
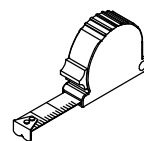
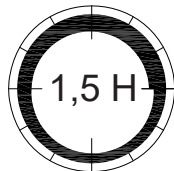
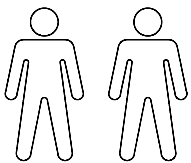
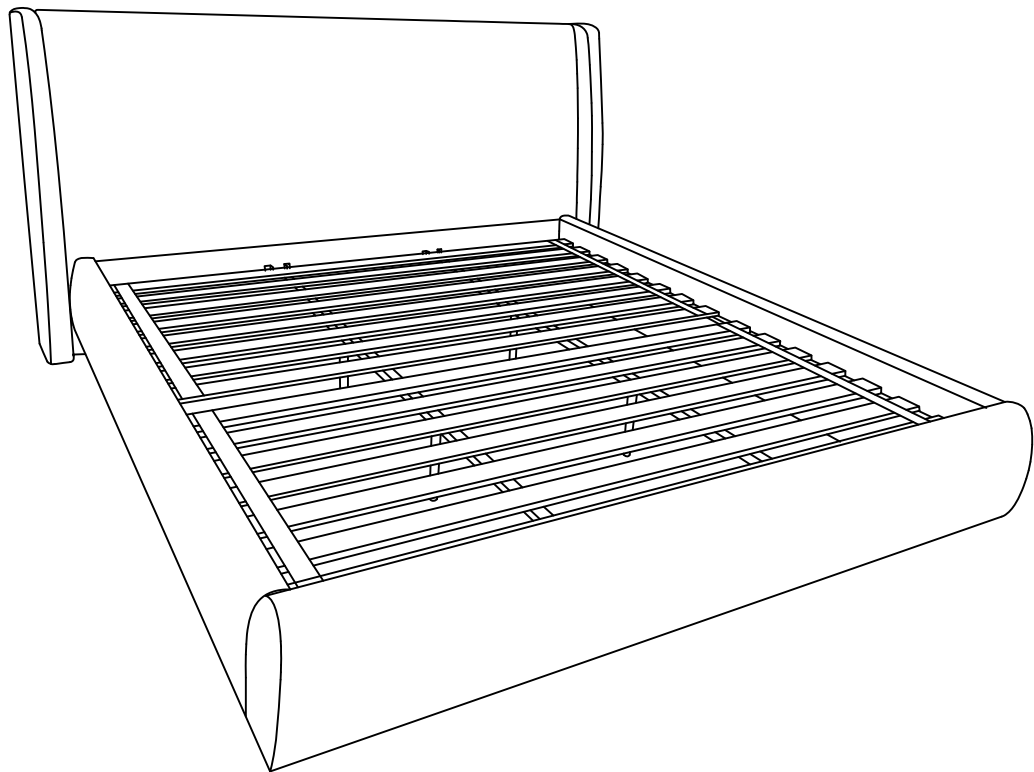


ASSEMBLY INSTRUCTIONS

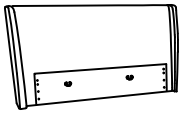
CRESWICK BEDROOM FURNITURE KING FULL BED

Please read instructions carefully. Remove all wrapping material and packing from the carton. See hardware and furniture parts list for guidance. Be sure you have all parts before you start to assemble the product. Place all furniture parts on a clean surface, such as carpet or rug to prevent the item from being scratched.



Part list:

1 x Part 1



Headboard

1 x Part 2



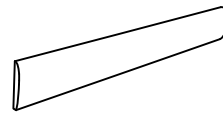
Side rail left

1 x Part 3



Side rail right

1 x Part 4



Footboard

1 x Part 5



Slats

1 x Part 6



Slats

2 x Part 7



Middle support

4 x Part 8



Support leg

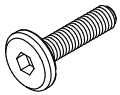
4 x Part 9



Leg

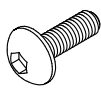
Hardware list:

Ax28



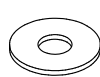
Bolt
M8x25

Bx8



Bolt
M6x20

Cx8



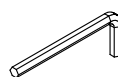
Washer
Ø6/Ø18

Dx32



Washer
Ø8/Ø18

Ex1



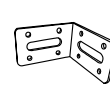
Allen key
5mm

Fx2



Bracket
74x50x50

Gx2



Bracket
60x60x40

Hx2



Bracket
150x60x60

Jx2



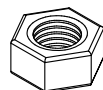
Bracket
150x60x60

Kx4



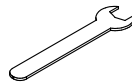
Washer
Ø47x2

Lx4

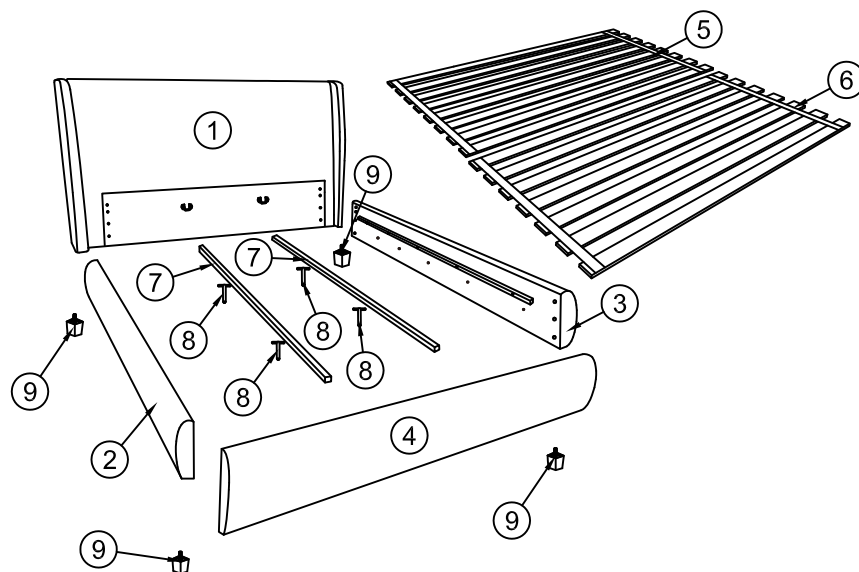


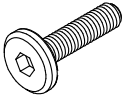
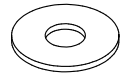
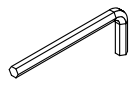
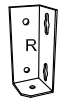
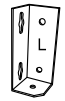
Nut
M8/13

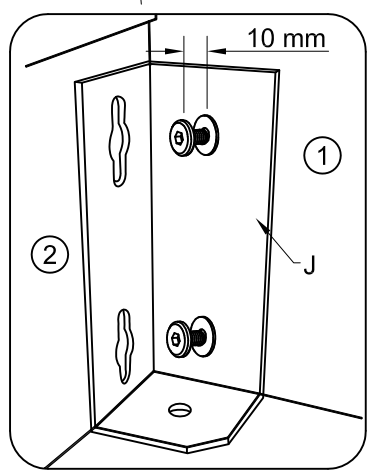
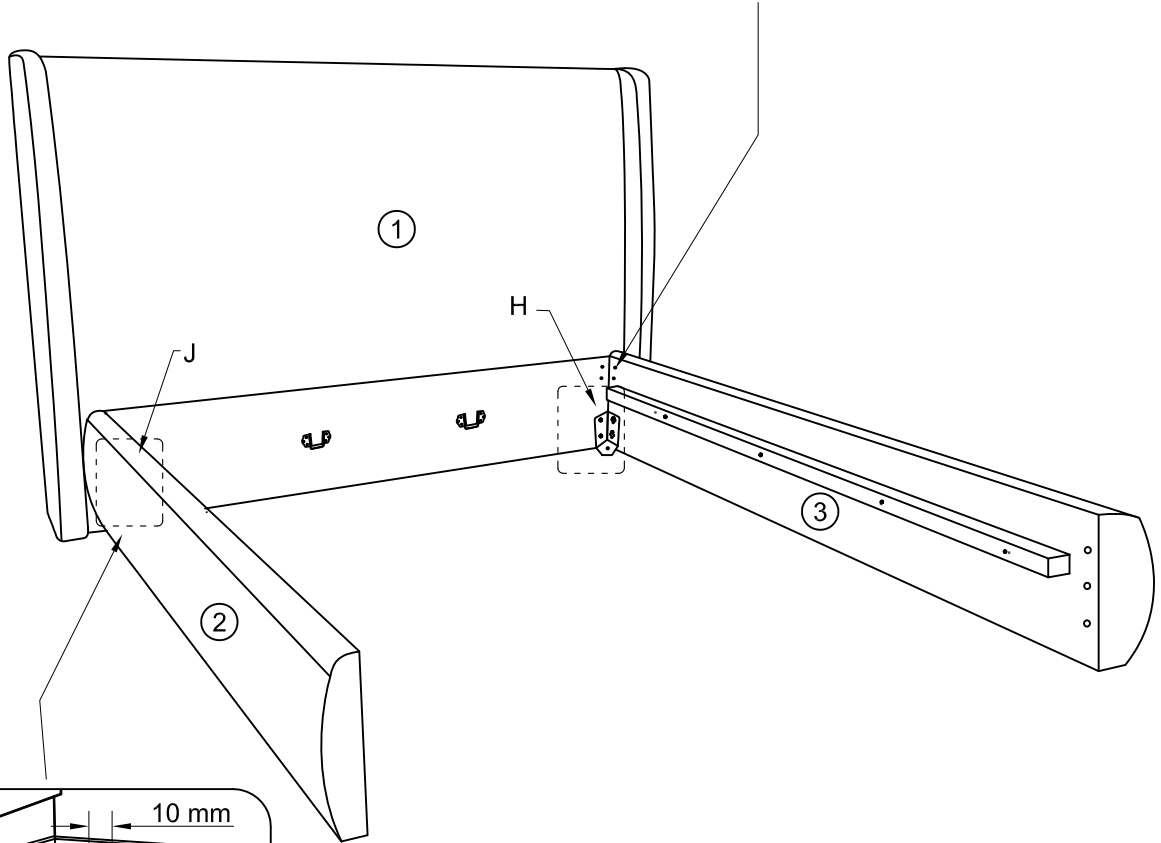
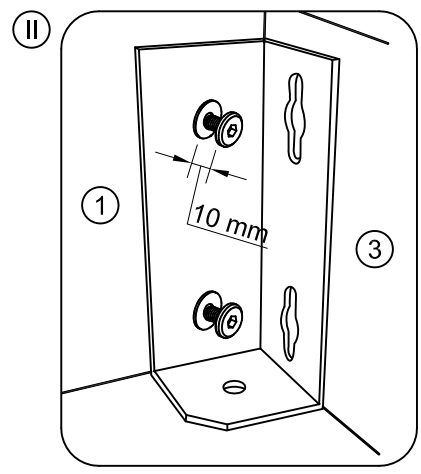
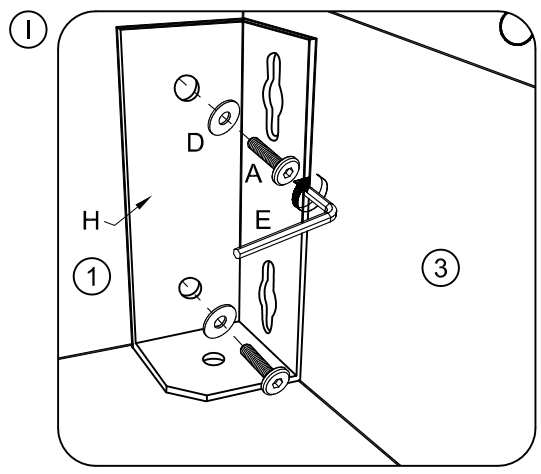
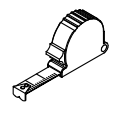
Mx1

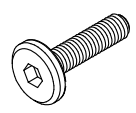
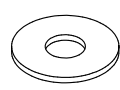
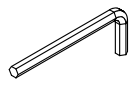




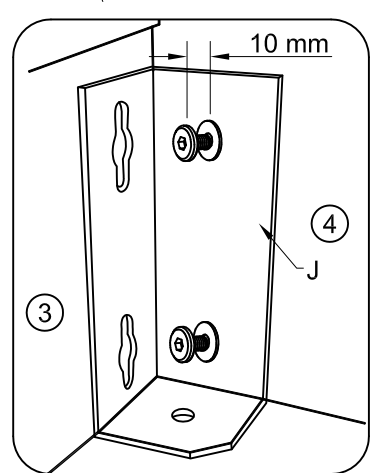
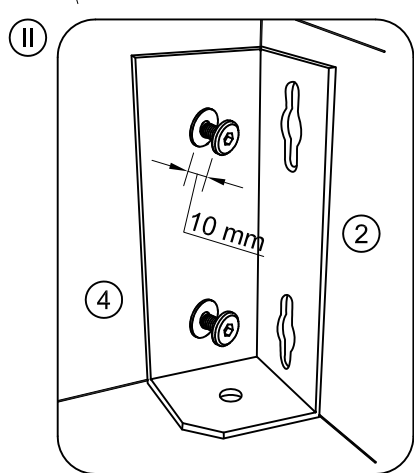
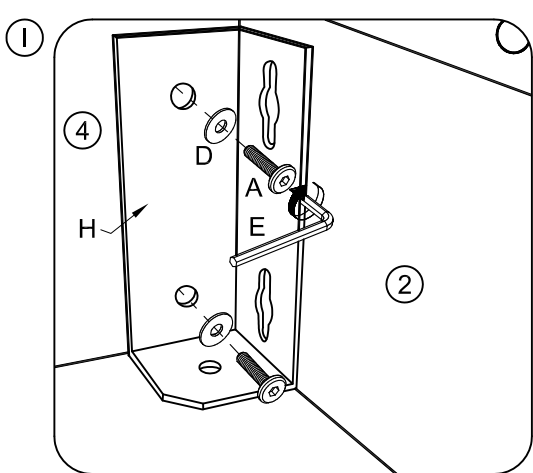
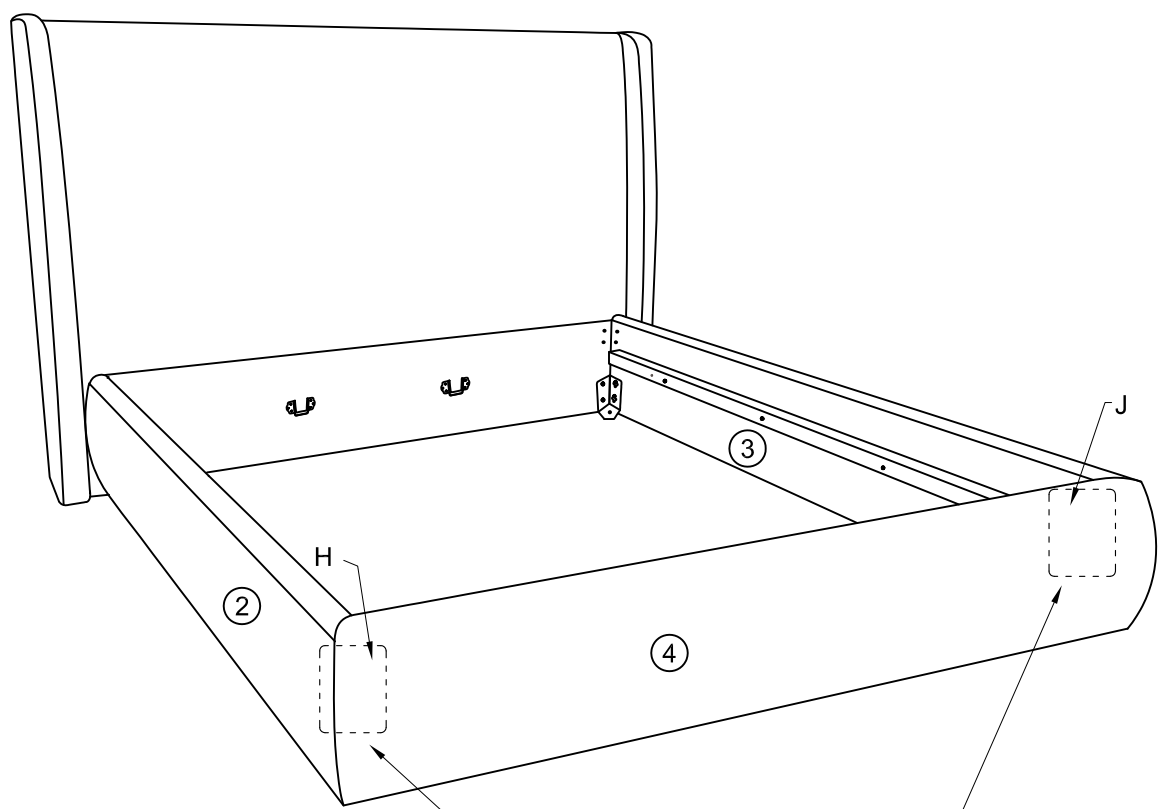
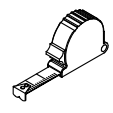
Spanner

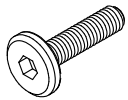
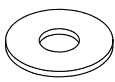
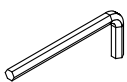


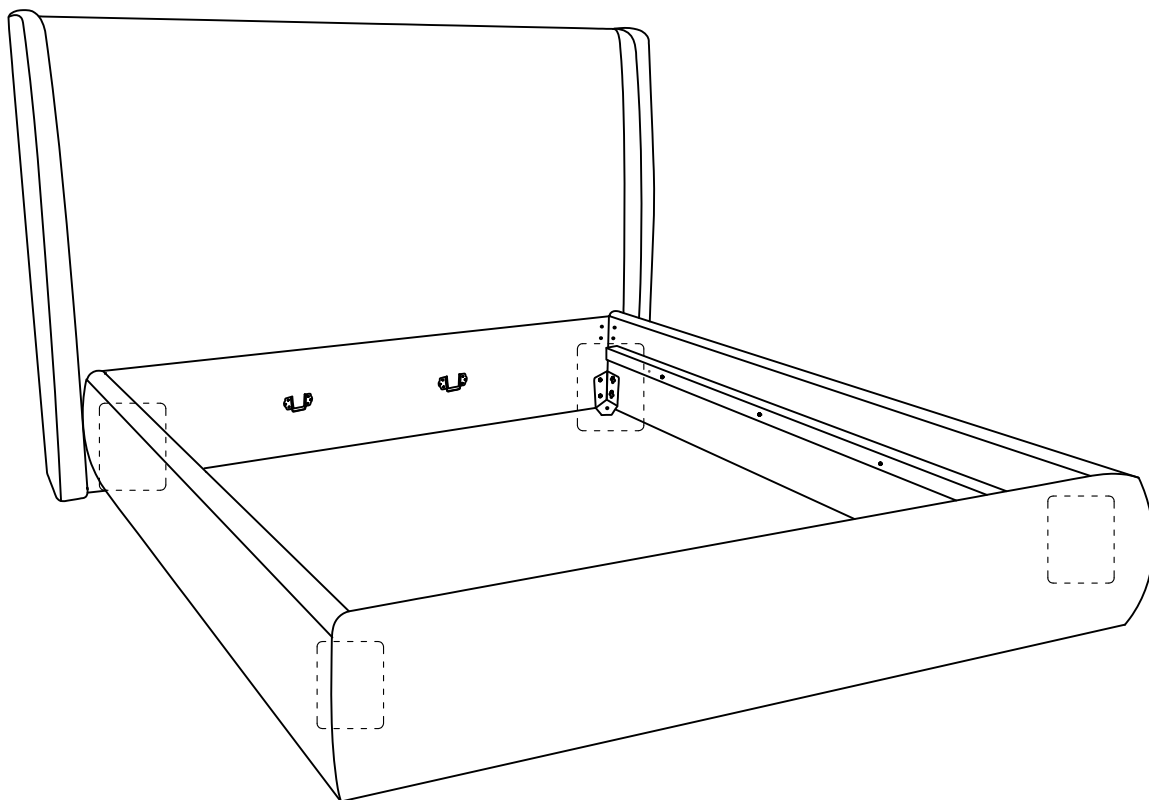
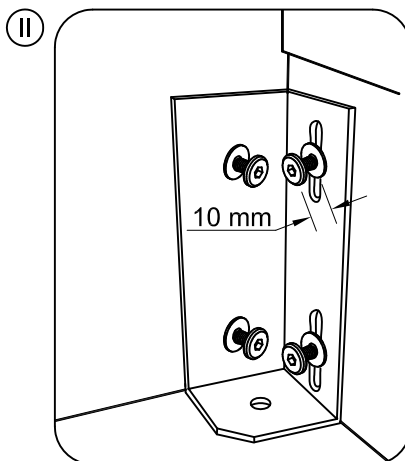
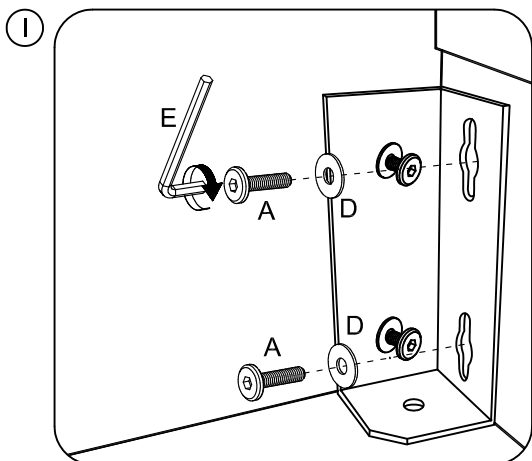
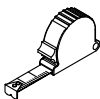
Ax4  M8x25 mm	Dx4  Ø8/Ø18 mm	Ex1  5 mm	Hx1  150x60x60 mm	Jx1  150x60x60 mm
---	---	--	--	--

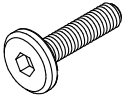
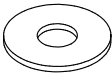
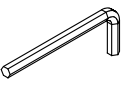
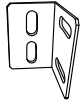


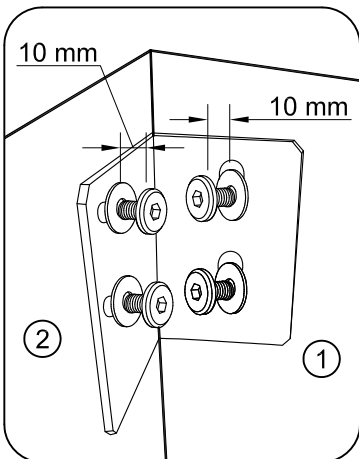
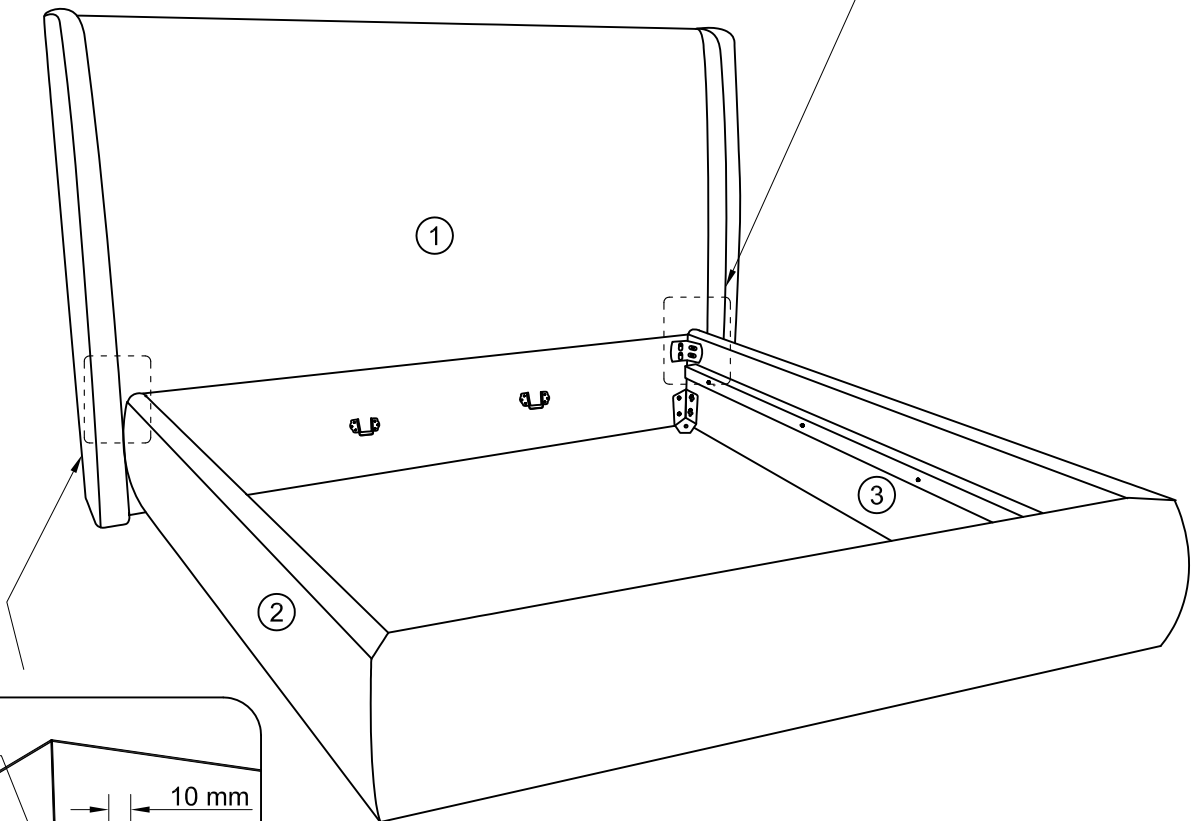
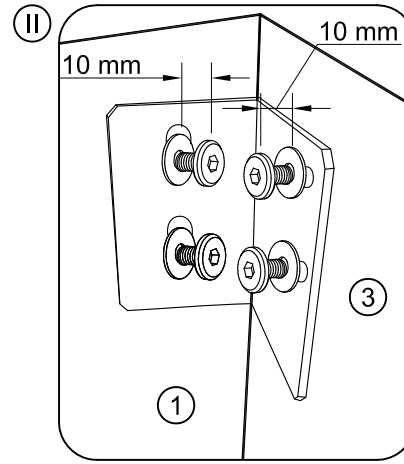
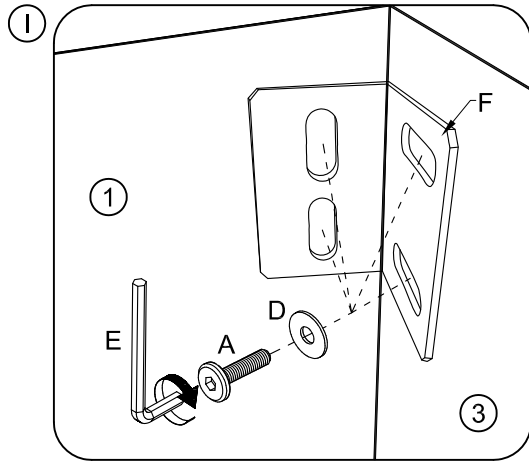
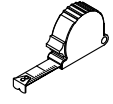
<p>Ax4</p>  <p>M8x25 mm</p>	<p>Dx4</p>  <p>Ø8/Ø18 mm</p>	<p>Ex1</p>  <p>5 mm</p>	<p>Hx1</p>  <p>150x60x60 mm</p>	<p>Jx1</p>  <p>150x60x60 mm</p>
---	---	--	--	--

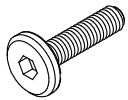
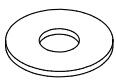
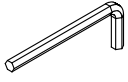
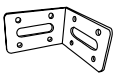


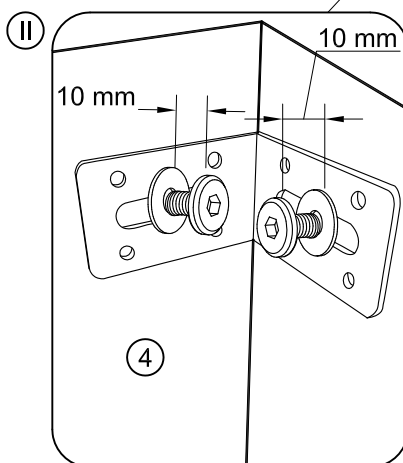
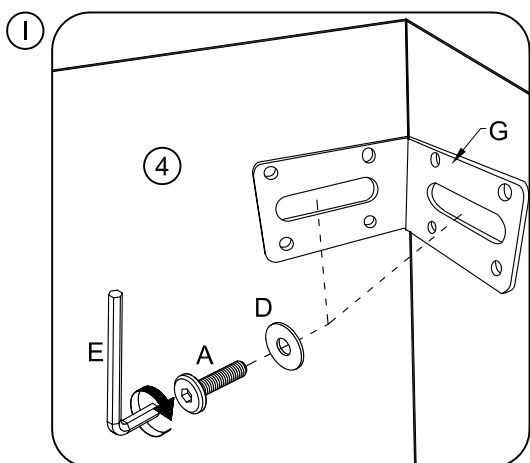
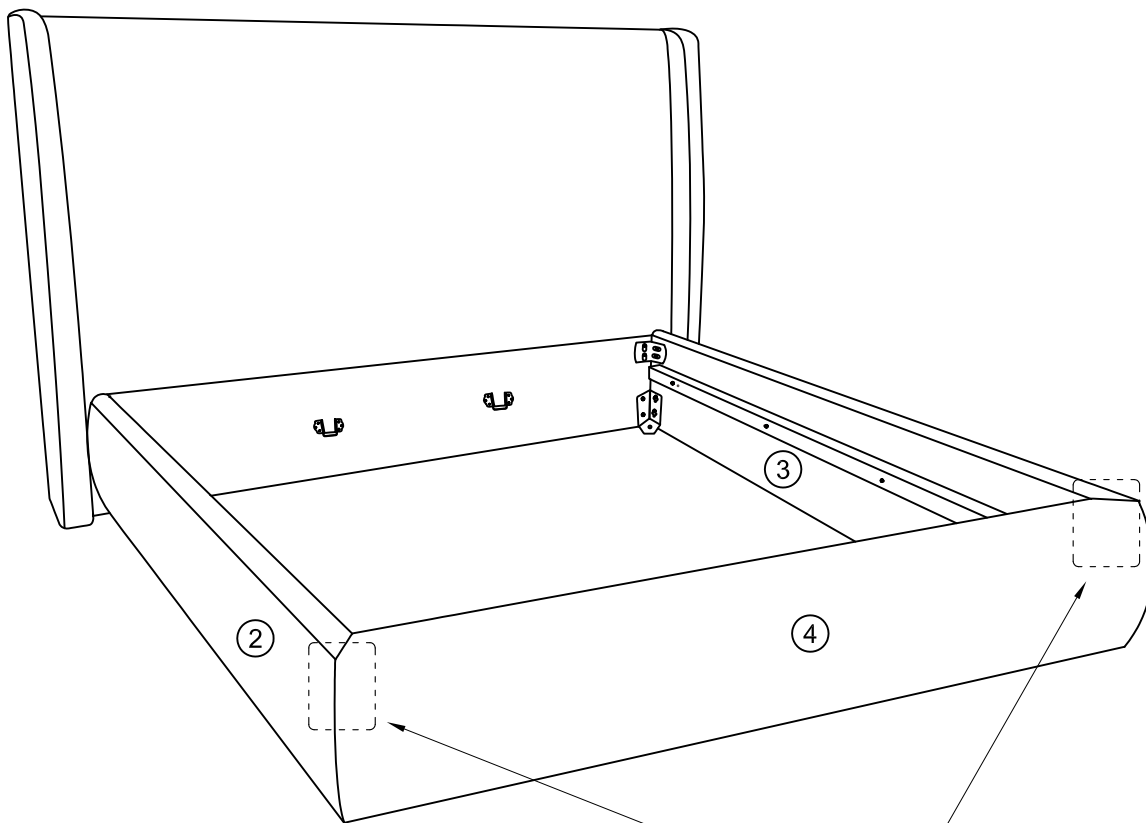
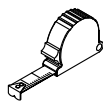
Ax8  M8x25 mm	Dx8  Ø8/Ø18 mm	Ex1  5 mm
---	---	--



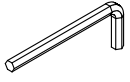
Ax8  M8x25 mm	Dx8  Ø8/Ø18 mm	Ex1  5 mm	Fx2  74x50x50 mm
---	---	--	---



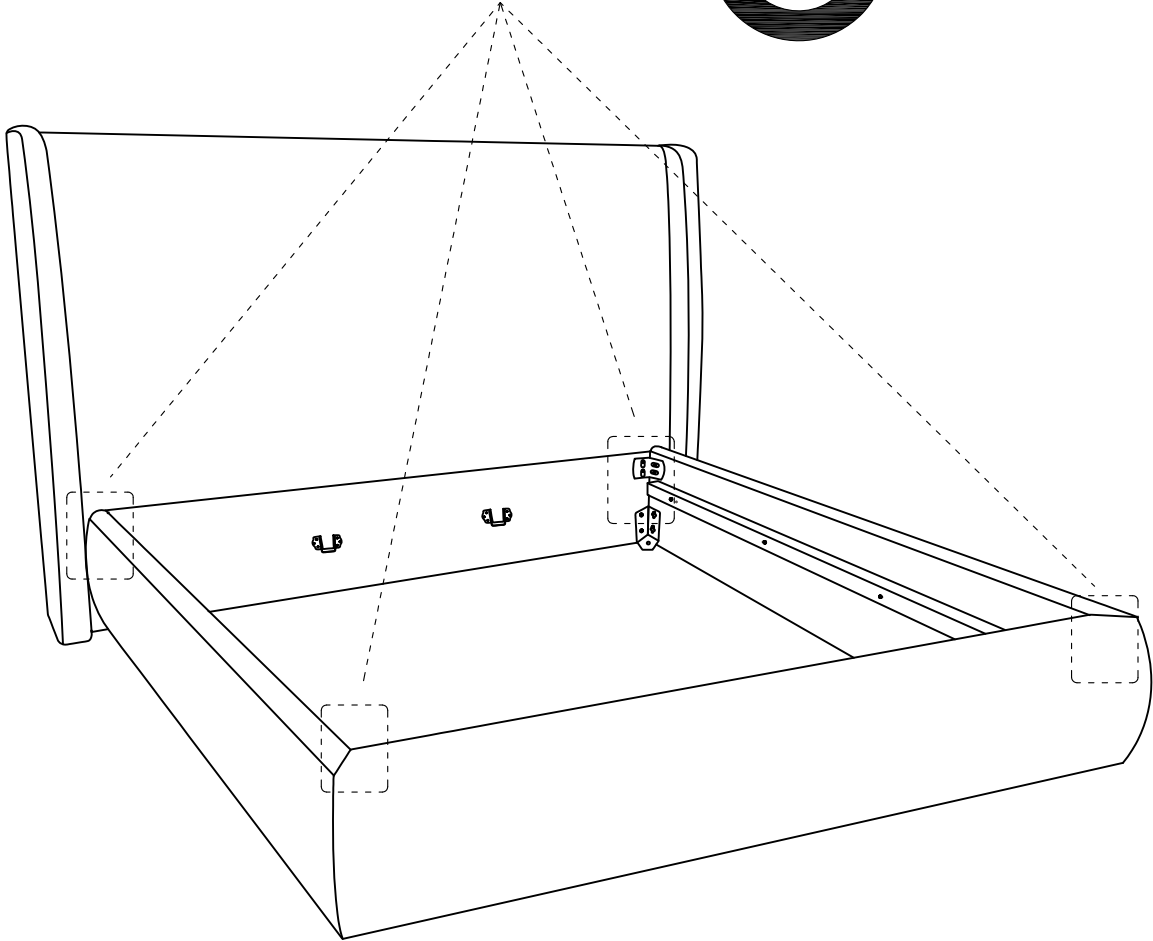
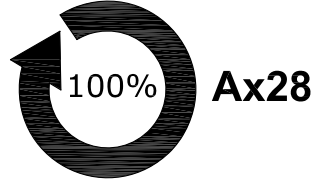
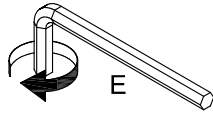
<p>Ax4</p>  <p>M8x25 mm</p>	<p>Dx4</p>  <p>Ø8/Ø18 mm</p>	<p>Ex1</p>  <p>5 mm</p>	<p>Gx2</p>  <p>60x60x40 mm</p>
---	---	--	---



Ex1



5 mm



Dx4 Ø8/Ø18 mm	Kx4 Ø47x2 mm	Lx4 M8/13 mm	Mx1 13 mm
------------------	-----------------	-----------------	--------------

