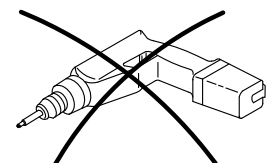
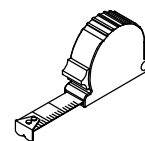
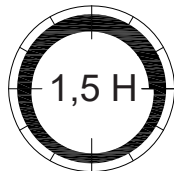
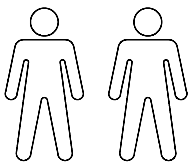
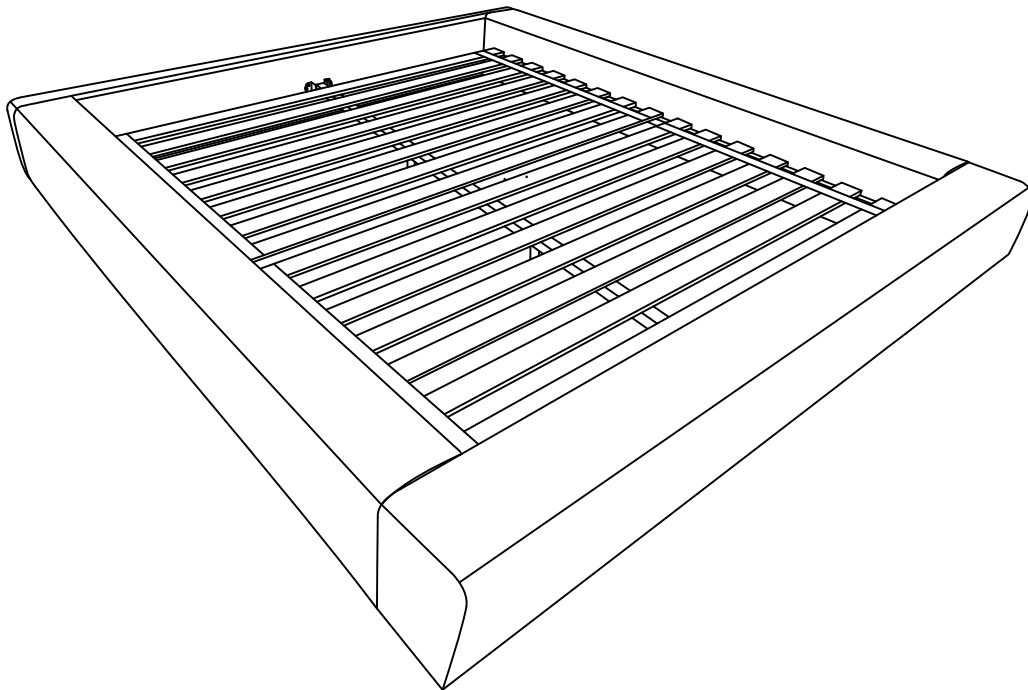


ASSEMBLY INSTRUCTIONS

BARLEY BED BASE QUEEN

Please read instructions carefully. Remove all wrapping material and packing from the carton. See hardware and furniture parts list for guidance. Be sure you have all parts before you start to assemble the product. Place all furniture parts on a clean surface, such as carpet or rug to prevent the item from being scratched.



Part list:

1 x Part 1



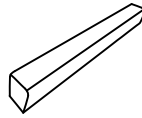
Headboard

2 x Part 2



Side rail

1 x Part 3



Footboard

1 x Part 4



Slats

1 x Part 5



Slats

1 x Part 6



Middle support

2 x Part 7



Support leg

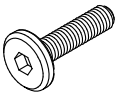
4 x Part 8



Leg

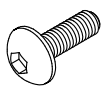
Hardware list:

Ax16



Bolt
M8x25

Bx4



Bolt
M6x20

Cx4



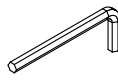
Washer
Ø6/Ø18

Dx16



Washer
Ø8/Ø18

Ex1



Allen key
5mm

Fx4

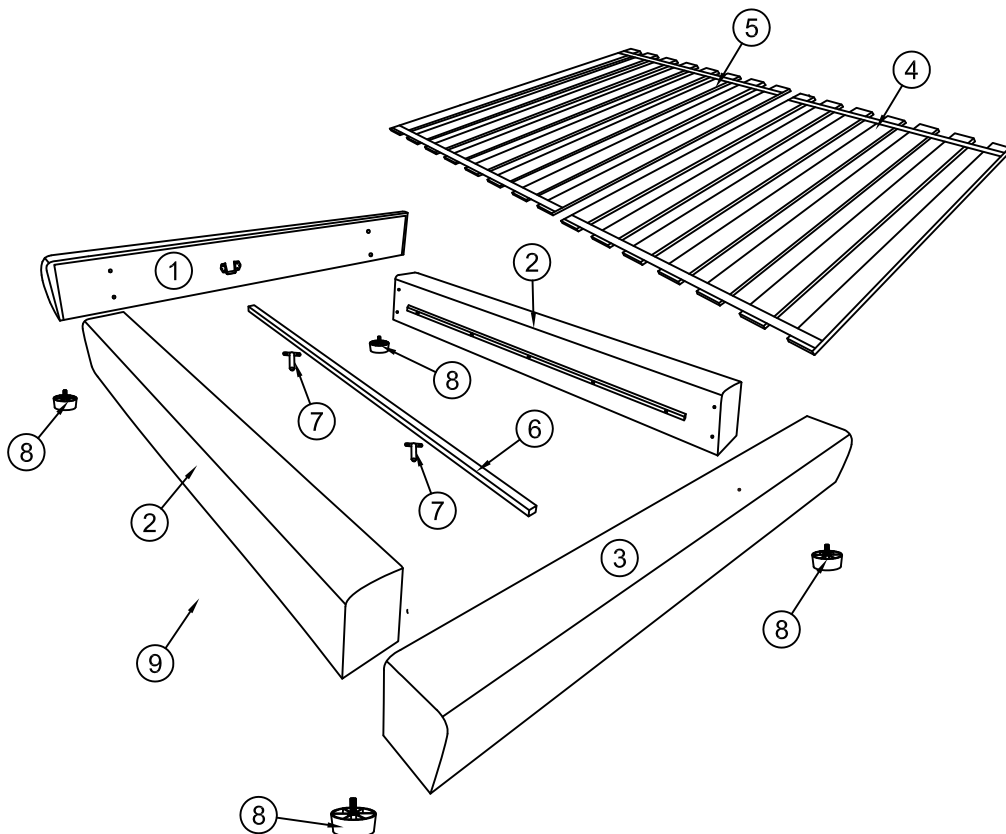


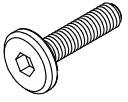
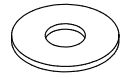
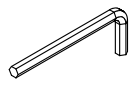
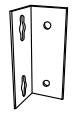
Bracket
150x60x60

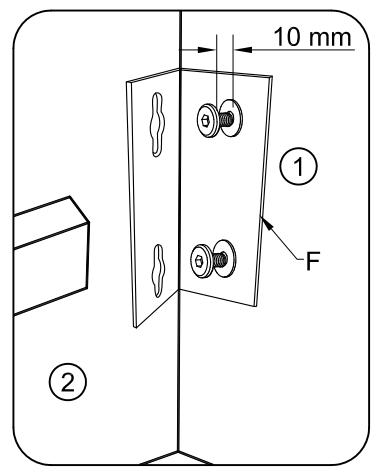
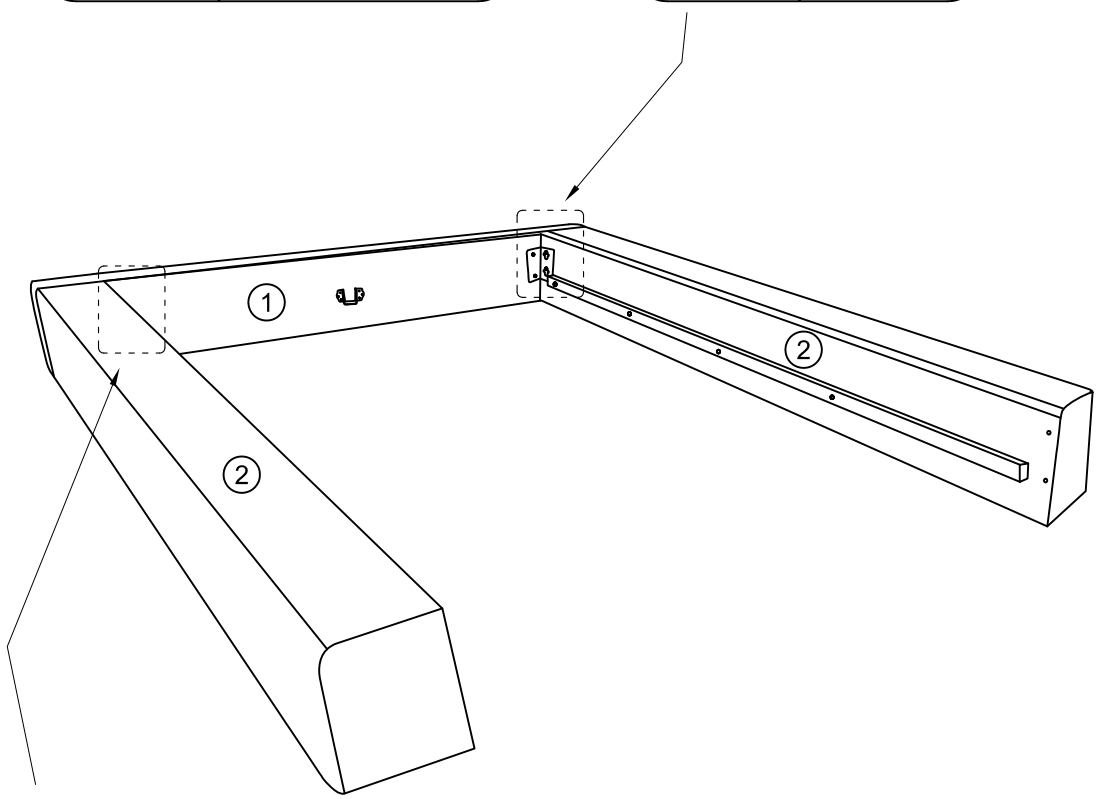
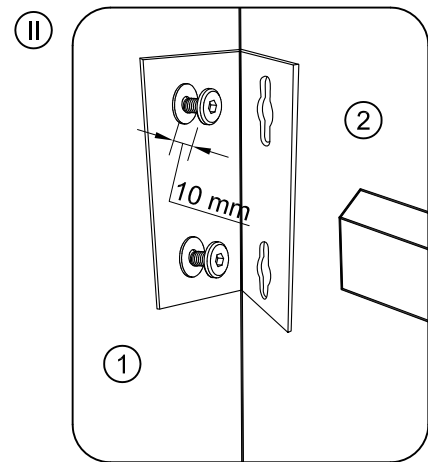
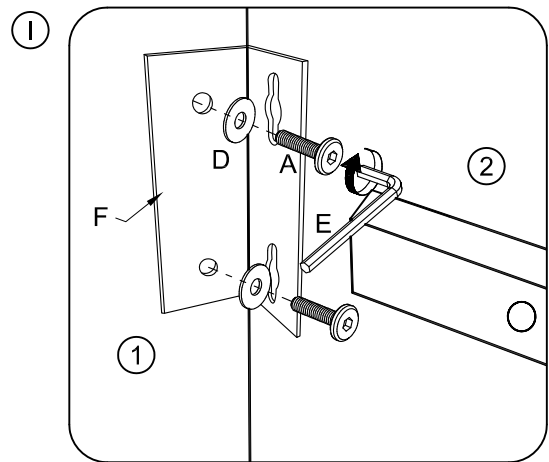
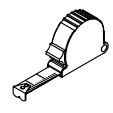
Gx4

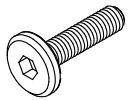
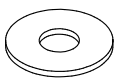
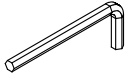
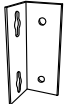


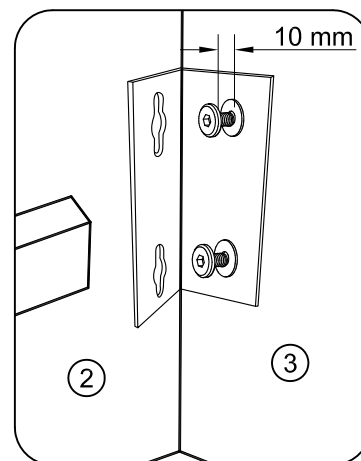
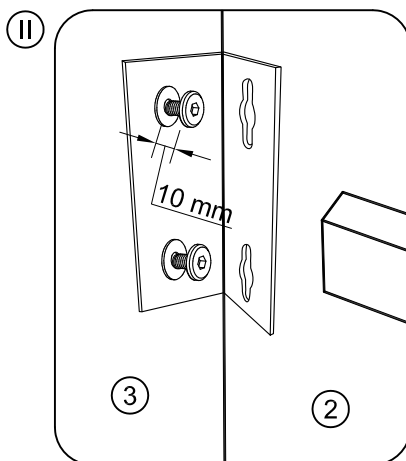
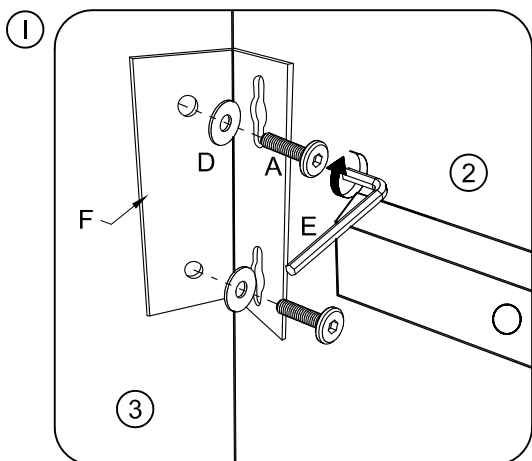
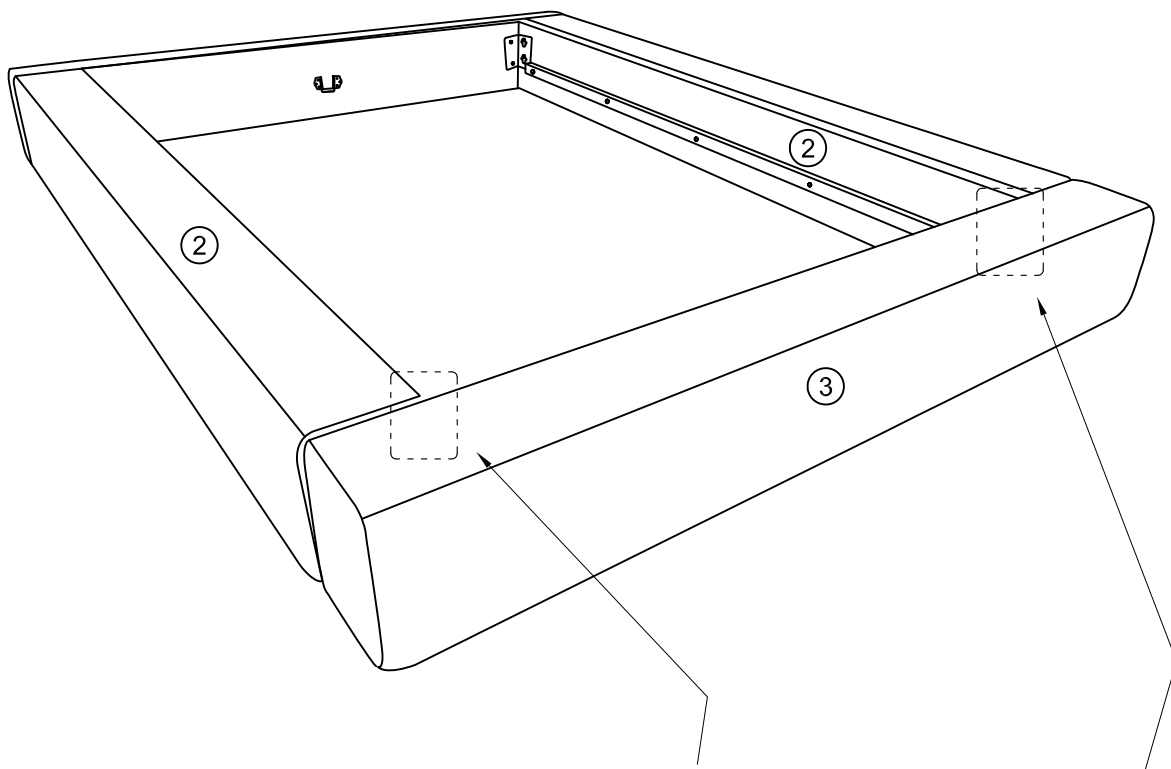
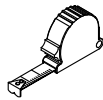
Bracket
Ø47x2

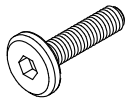
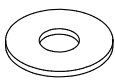
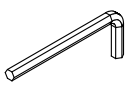


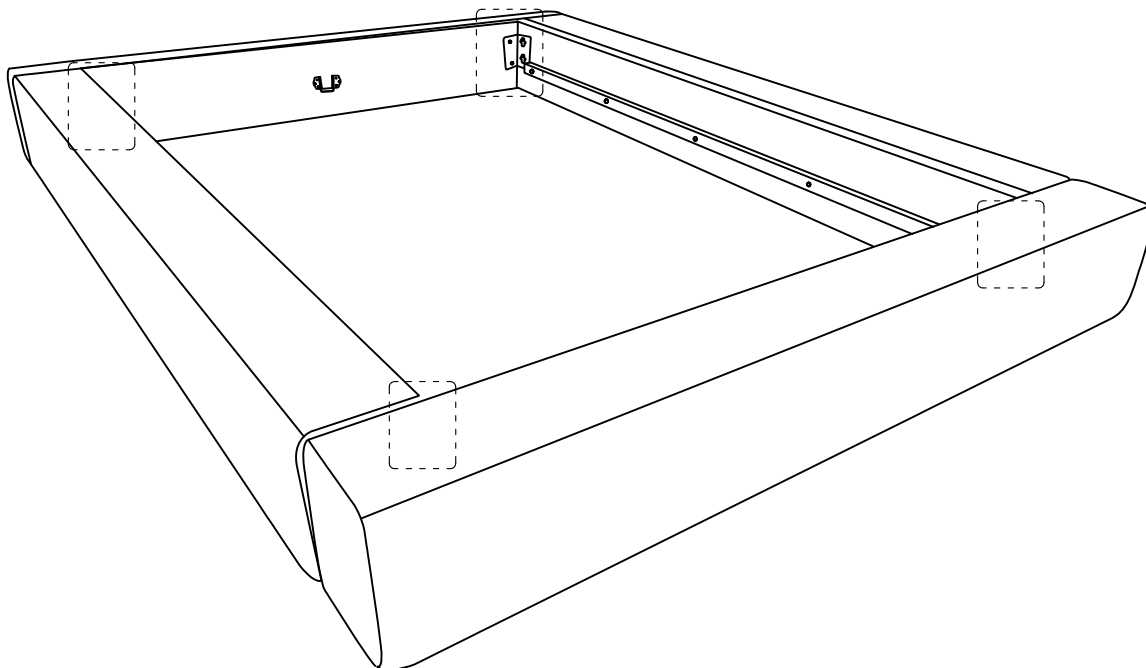
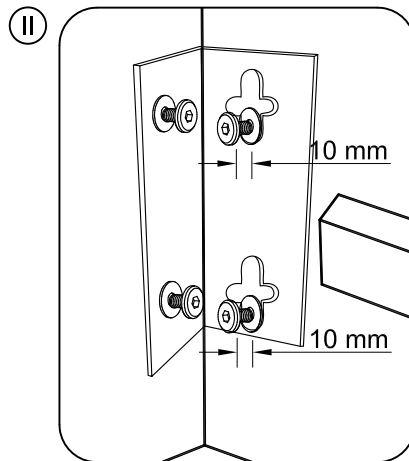
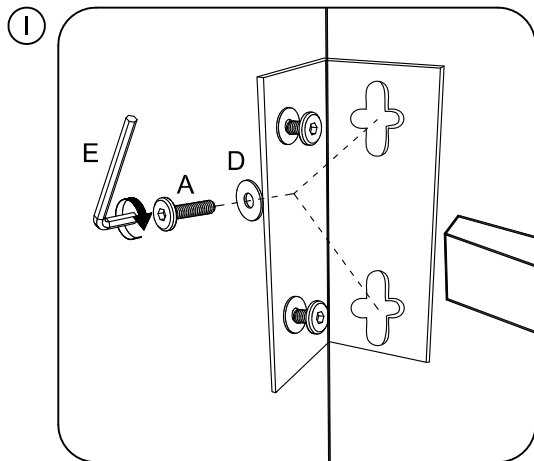
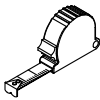
Ax4  M8x25 mm	Dx4  Ø8/Ø18 mm	Ex1  5 mm	Fx2  150x60x60
---	---	--	---



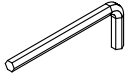
<p>Ax4</p>  <p>M8x25 mm</p>	<p>Dx4</p>  <p>Ø8/Ø18 mm</p>	<p>Ex1</p>  <p>5 mm</p>	<p>Fx2</p>  <p>150x60x60</p>
---	---	--	---



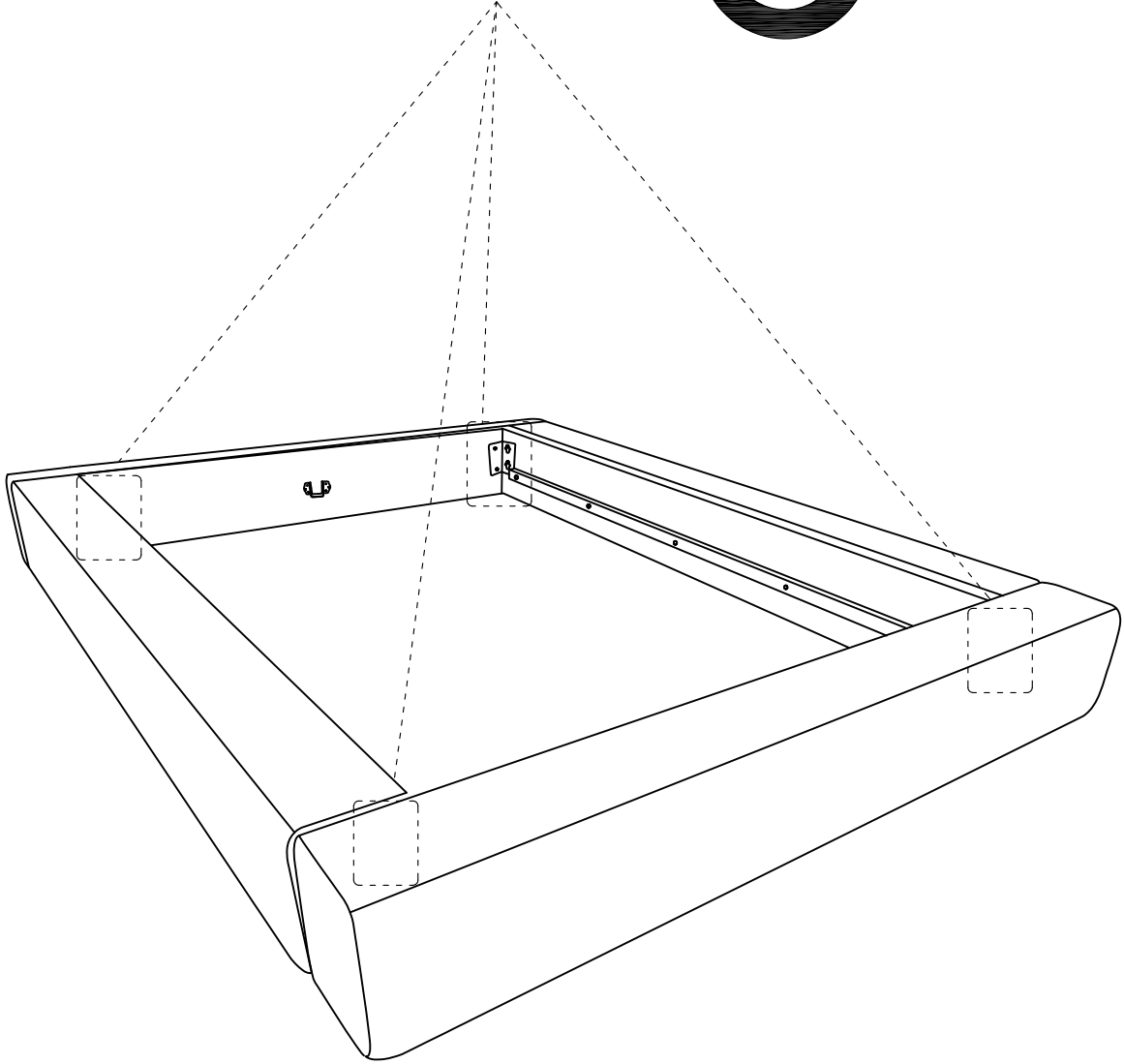
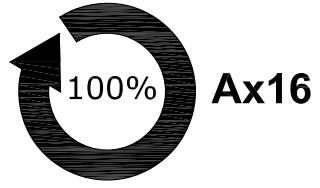
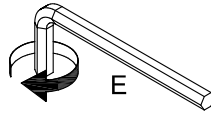
Ax8  M8x25 mm	Dx8  Ø8/Ø18 mm	Ex1  5 mm
---	---	--



Ex1



5 mm



G x 4



Ø47x2 mm

