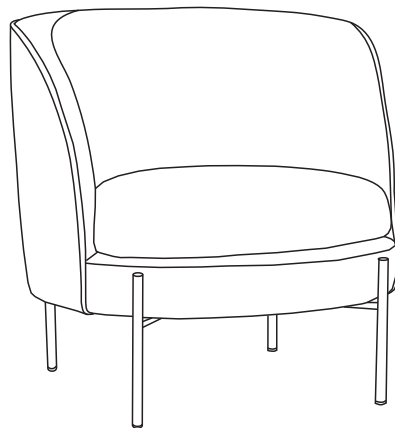
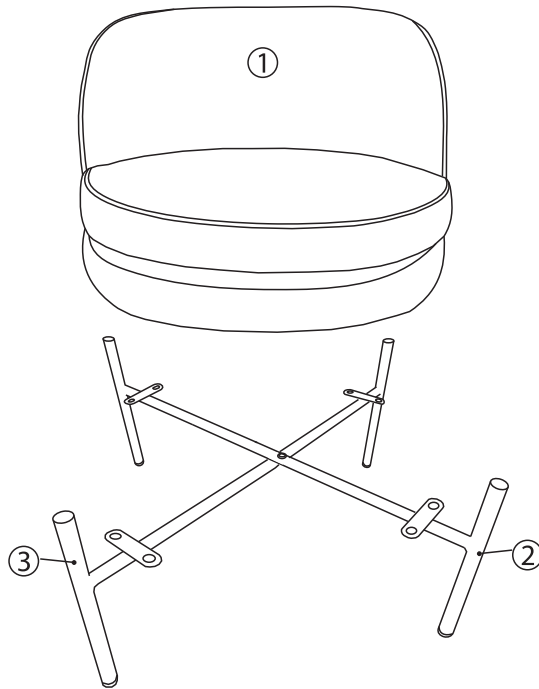


ASSEMBLY INSTRUCTIONS ALFIE CHIAR

Please read instructions carefully. Remove all wrapping material from the carton. See hardware and furniture parts list for guidance. Be sure you have all parts before you start assembling. Place all sofa furniture parts on a clean, flat and soft surface, such as a carpet or rug to prevent the item from being scratched

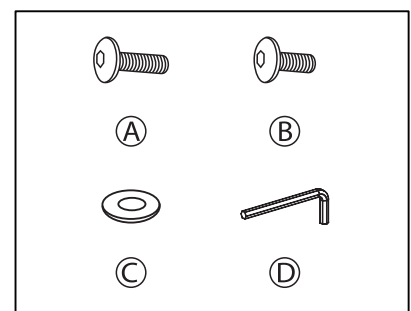


PARTS INCLUDED

1.SEAT	:1PC
2.METAL LEG	:1PC
3.METAL LEG	:1PC

HARDWARE LIST

A.SCREW M8*20	:8PCS
B.SCREW M6*15	:1PC
C.FLAT WASHER	:8PCS
D.ALLEN KEY	:1PC



FOR ASSEMBLY

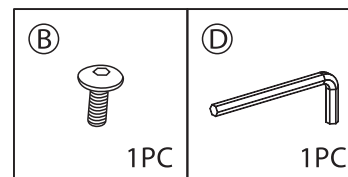
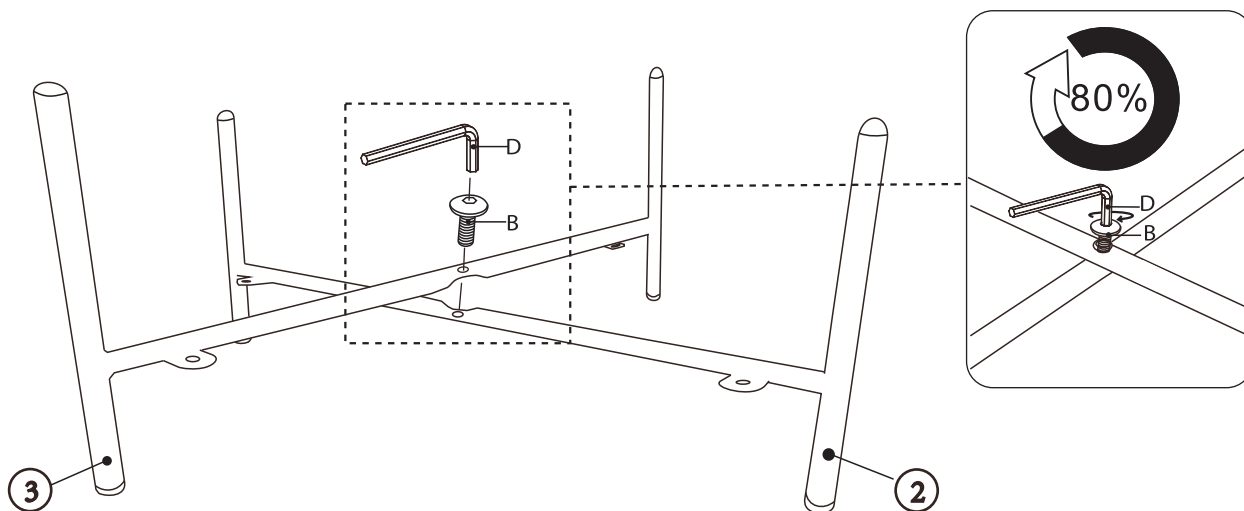
- First, check the contents to make sure that nothing is missing.
- Sort out the parts and fittings as shown, assemble product step by step.
- It is preferable to rest the product on a soft surface to avoid damage during assembly.
- Please tighten all screws 80% only, then 100%.

ASSEMBLY INSTRUCTIONS

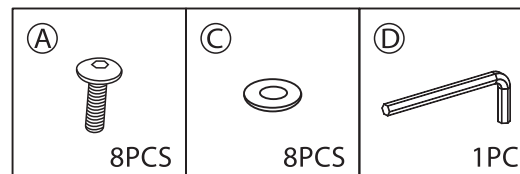
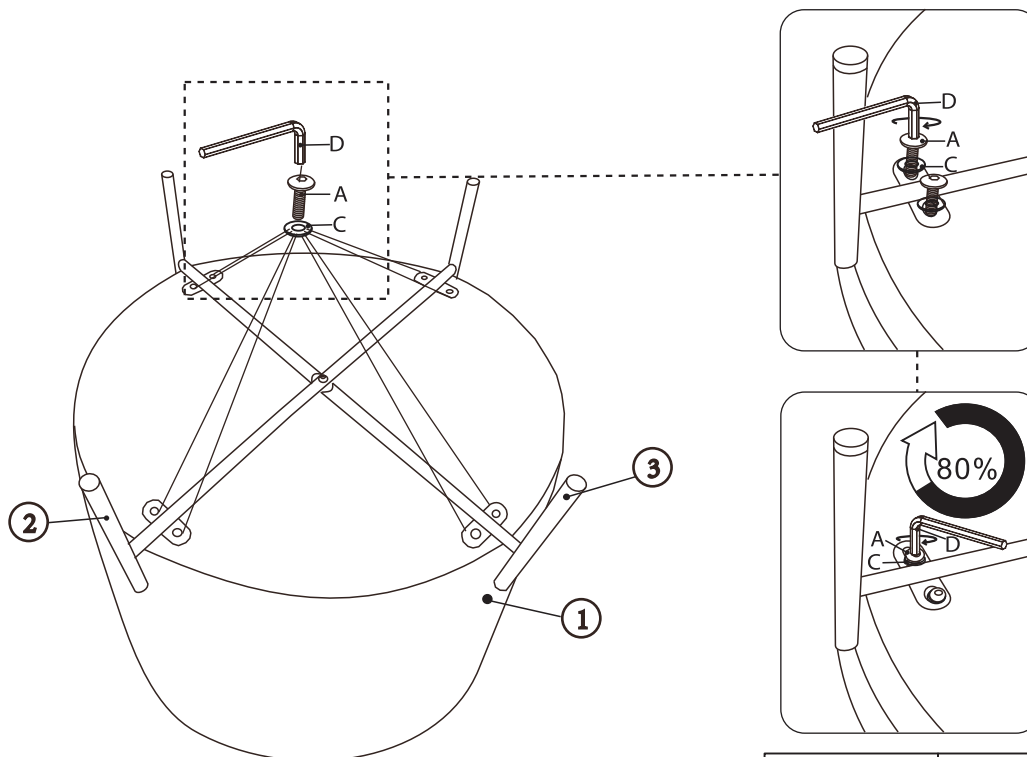
ALFIE CHIAR

adairs

STEP 1



STEP 2



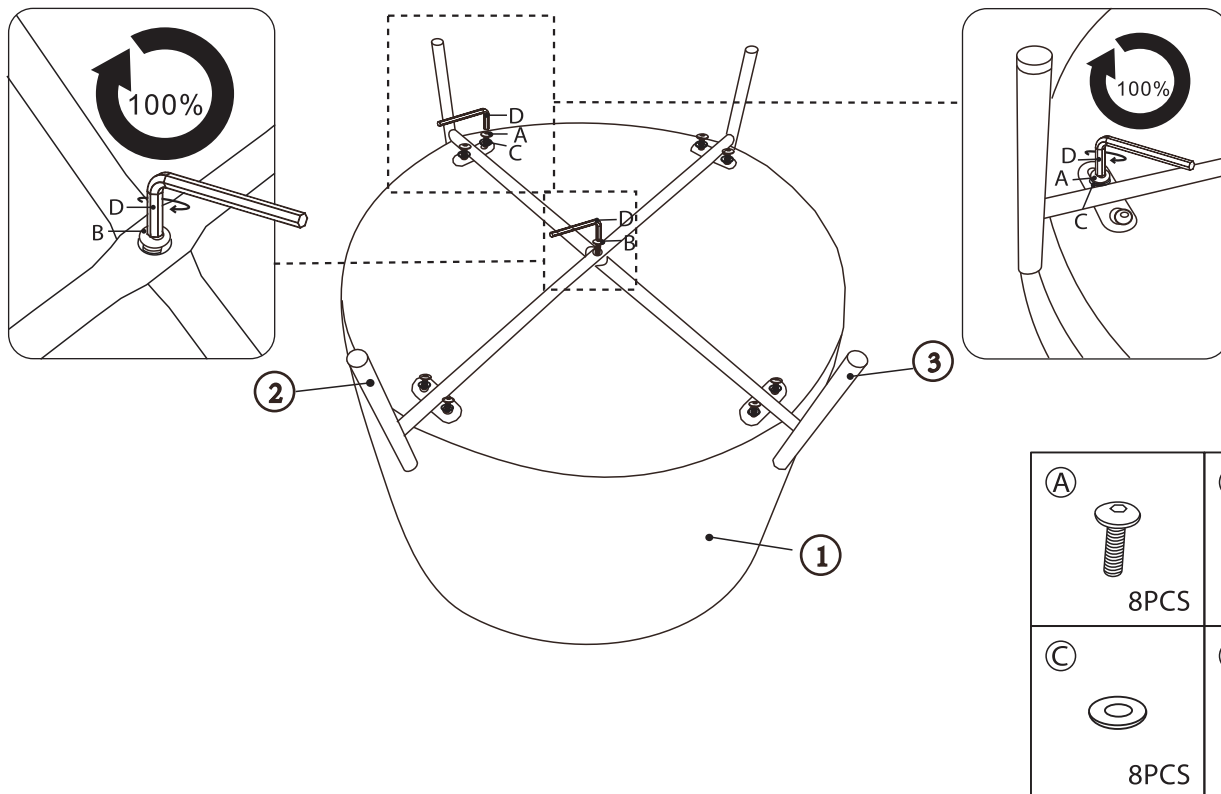
www.adairs.com.au
www.adairs.co.nz

ASSEMBLY INSTRUCTIONS

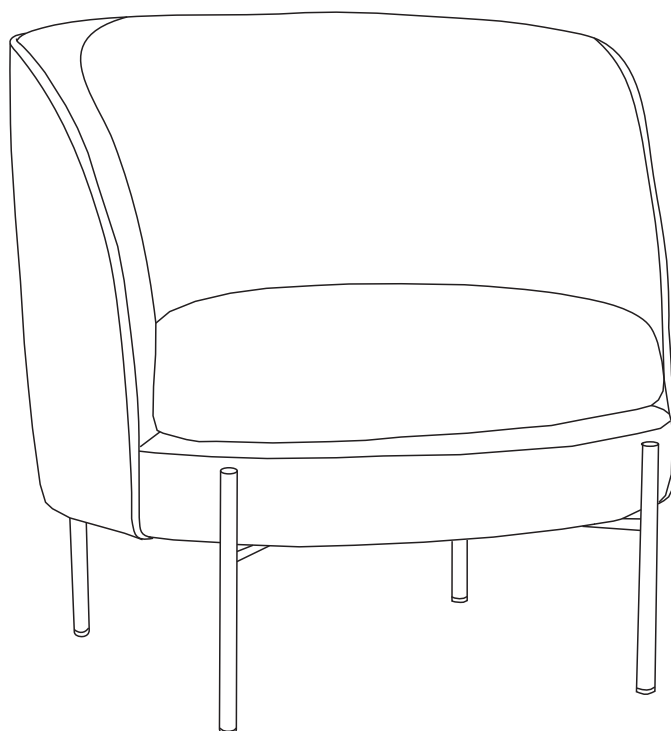
ALFIE CHIAR

adairs

STEP 3



STEP 4



www.adairs.com.au
www.adairs.co.nz