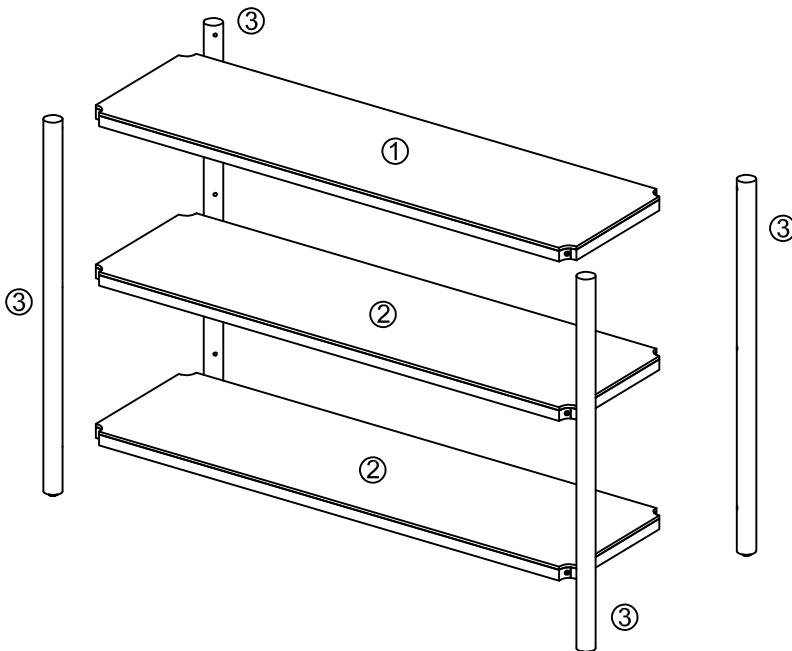


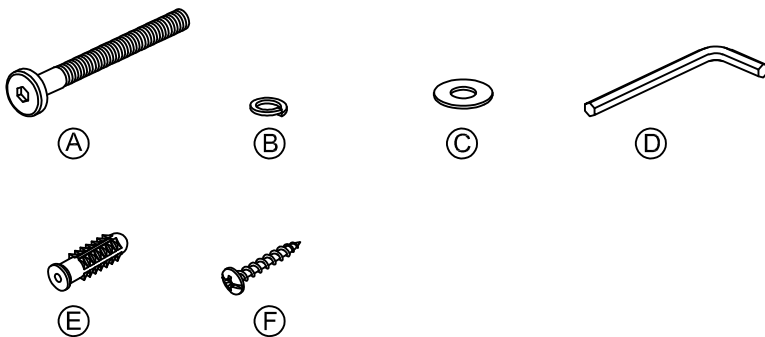
# ASSEMBLY INSTRUCTIONS

## 49980 - NOAH NATURAL BOOKSHELF



### PARTS LIST

1. Top panel	: 1pc
2. Bottom panel	: 2pcs
3. Leg	: 4pcs



### HARDWARE LIST

A. Bolt	: 12pcs
B. Spring washer	: 12pcs
C. Washer	: 12pcs
D. Allen key	: 1pc
E. Rawl plug	: 1pc
F. Screw	: 1pc

**MAXIMUM WEIGHT LOAD: 33 LBS/ 15 KGS EACH TIER.**

### **FOR ASSEMBLY**

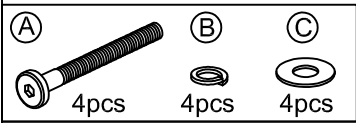
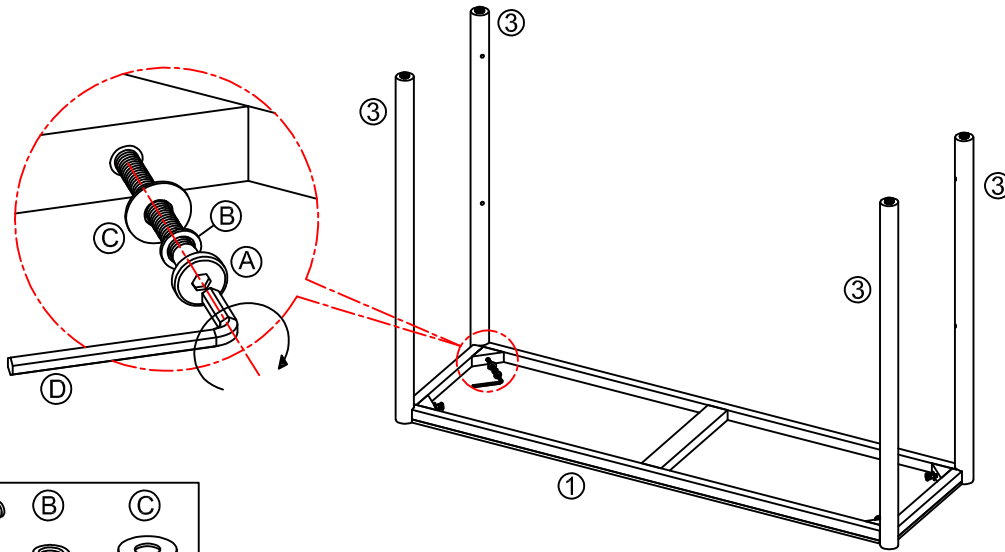
- First, check the contents to make sure that nothing is missing.
- Sort out the parts and fittings as shown.
- Assemble the product step by step.
- It is preferable to rest the product on a soft surface to avoid damage during assembly.
- Do not overtighten screws and fittings.
- Re-tighten all screws and fittings periodically.
- You will need a phillips screwdriver to complete this assembly.

Adairs Retail Group Pty Ltd  
 2 International Court, Caribbean  
 Business Park, Scoresby 3179  
 T 61 3 8888 4500  
[www.adairs.com.au](http://www.adairs.com.au) [www.adairs.co.nz](http://www.adairs.co.nz)

# ASSEMBLY INSTRUCTIONS adairs kids

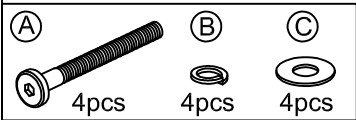
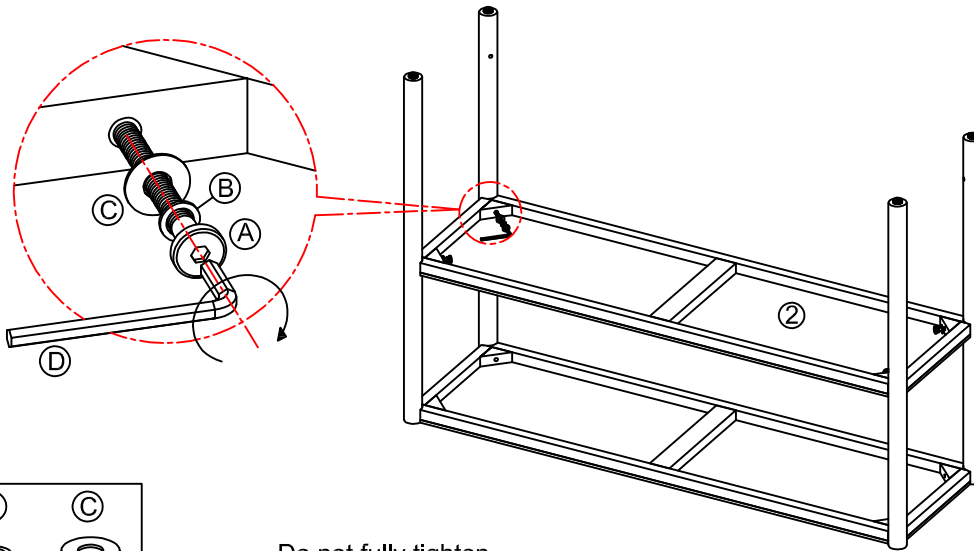
## 49980 - NOAH NATURAL BOOKSHELF

### STEP 1



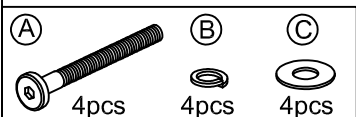
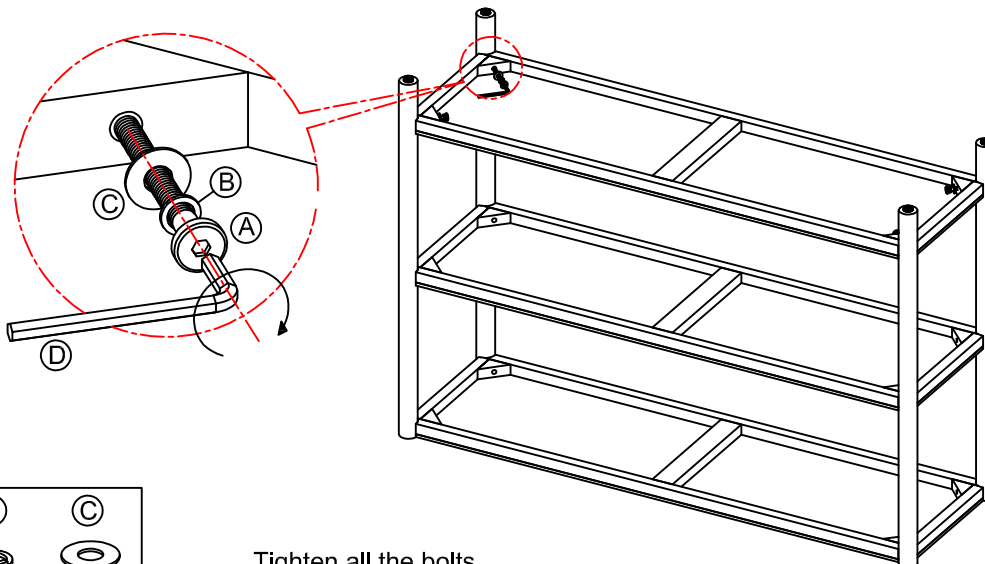
Do not fully tighten.

### STEP 2



Do not fully tighten.

### STEP 3

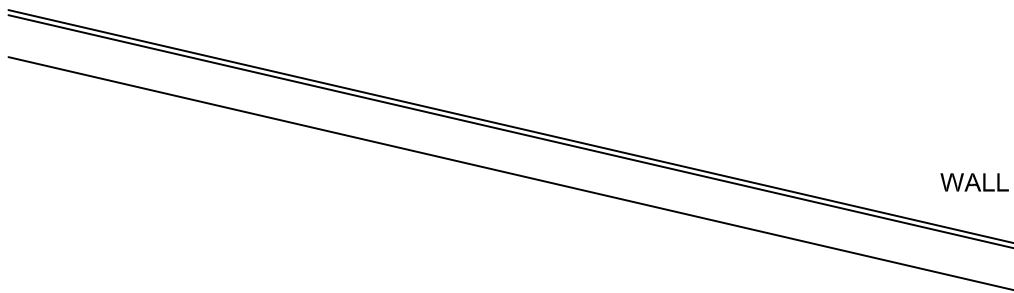
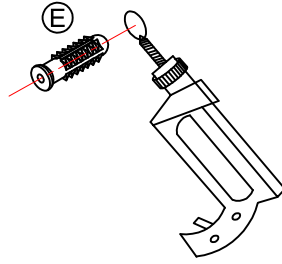


Tighten all the bolts.

# ASSEMBLY INSTRUCTIONS adairs kids

## 49980 - NOAH NATURAL BOOKSHELF

STEP 4



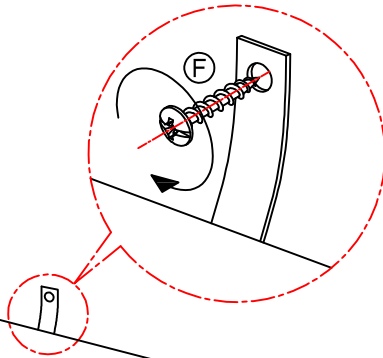
WALL

(E)

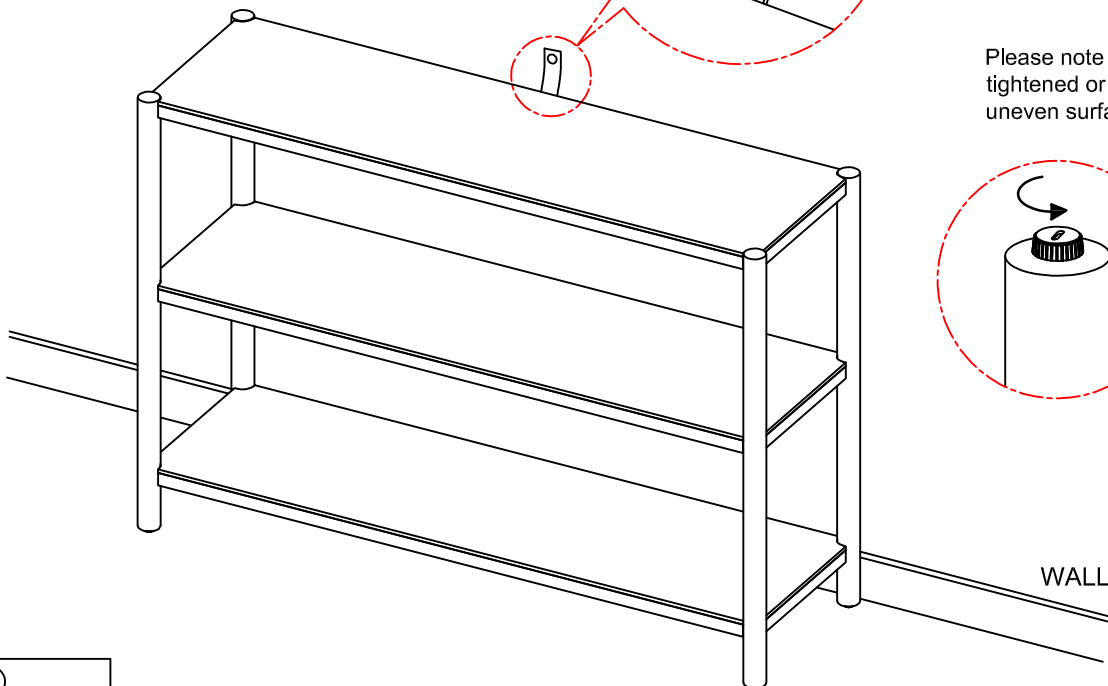
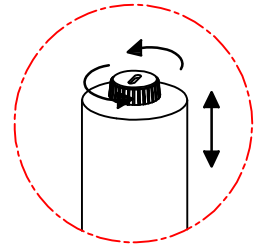
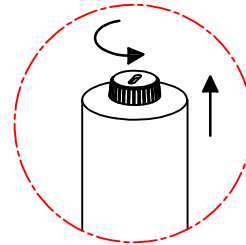


1pc

STEP 5



Please note stoppers on base of feet can be tightened or loosened for placement on uneven surfaces.



WALL

(F)



1pc

# ASSEMBLY INSTRUCTIONS

## 49980 - NOAH NATURAL BOOKSHELF

---



### WARNING:

It is **STRONGLY RECOMMENDED** that you **ANCHOR** this product.

Toppling furniture can cause serious injuries and death.

This product has been fitted with a strap.

To prevent your furniture from tipping forward it is strongly recommended that you **securely attach this product** to a wall or other solid surface, using the anchor strap provided and appropriate fixings.

### IMPORTANT:

**Regularly check** that anchors are securely maintained.

It is recommended Safety Drawer Locks are purchased to help prevent children from accessing drawers and climbing.

Stability of tall items may be affected by thick pile carpet or uneven floors.

**Do not** place unanchored televisions on furniture.

### CAUTION:

For your safety when attaching the anchor fixings, please note the following:

- Check for any electrical wires or plumbing inside the wall before drilling any holes (if you are unsure please seek professional advice from a qualified tradesperson)
- Walls are constructed from different materials, for example, masonry (solid brick) or plasterboard lined cavity walls (hollow). It is important that you use the appropriate wall fixings for your wall type.
- Your local hardware store will have the necessary drills and fixings and can offer advice if needed. If in doubt, engage the services of a qualified tradesperson to install and anchor the product.