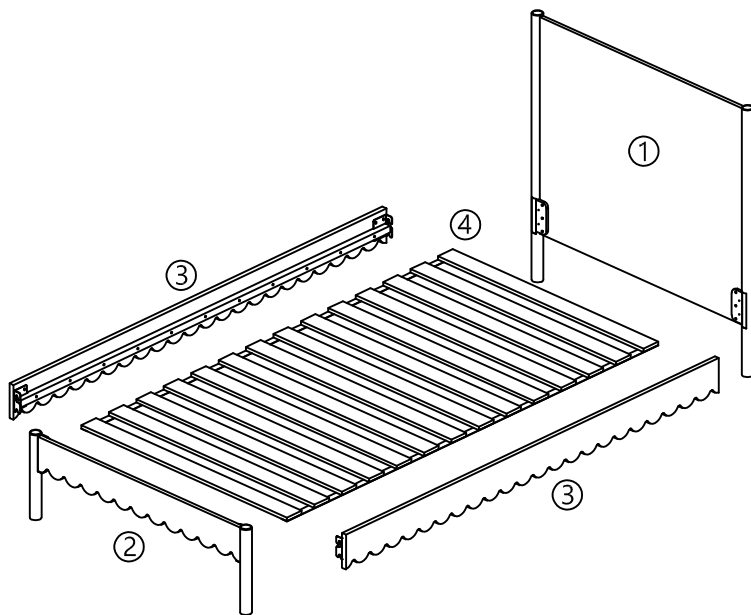


ASSEMBLY INSTRUCTIONS

57153 - SADIE SCALLOP KING SINGLE BED

Please read instructions carefully. Remove all wrapping material, staples and packing straps from the carton. See hardware and furniture parts list for guidance. Be sure you have all parts before you start assembling. Place all wooden furniture parts on a clean flat soft surface, such as carpet or rug to prevent from being scratched.

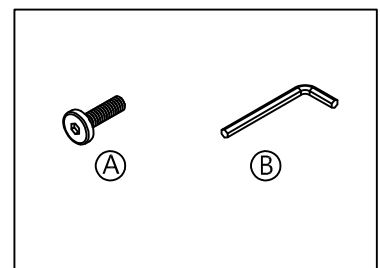
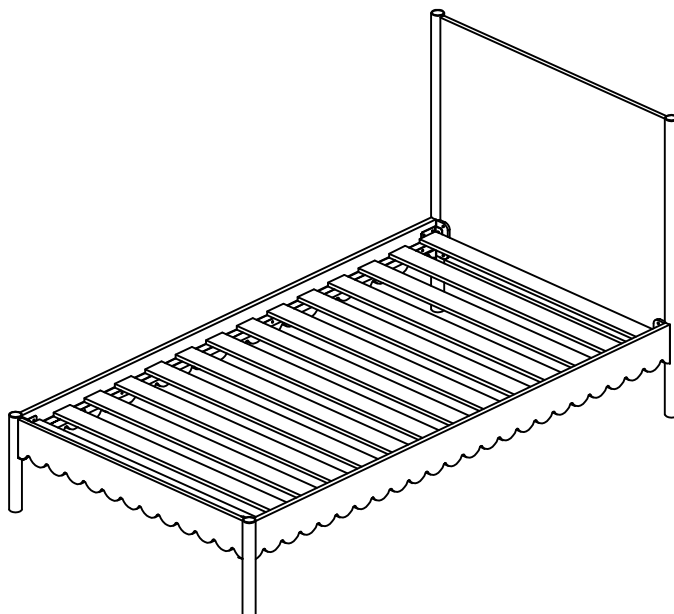


PARTS INCLUDED

- | | |
|---------------|--------|
| 1. Head board | : 1pc |
| 2. Foot board | : 1pc |
| 3. Side board | : 2pcs |
| 4. Rail | : 1pc |

HARDWARE LIST

- | | |
|--------------|--------|
| A. Bolt | : 8pcs |
| B. Allen key | : 1pc |



ASSEMBLY INSTRUCTIONS

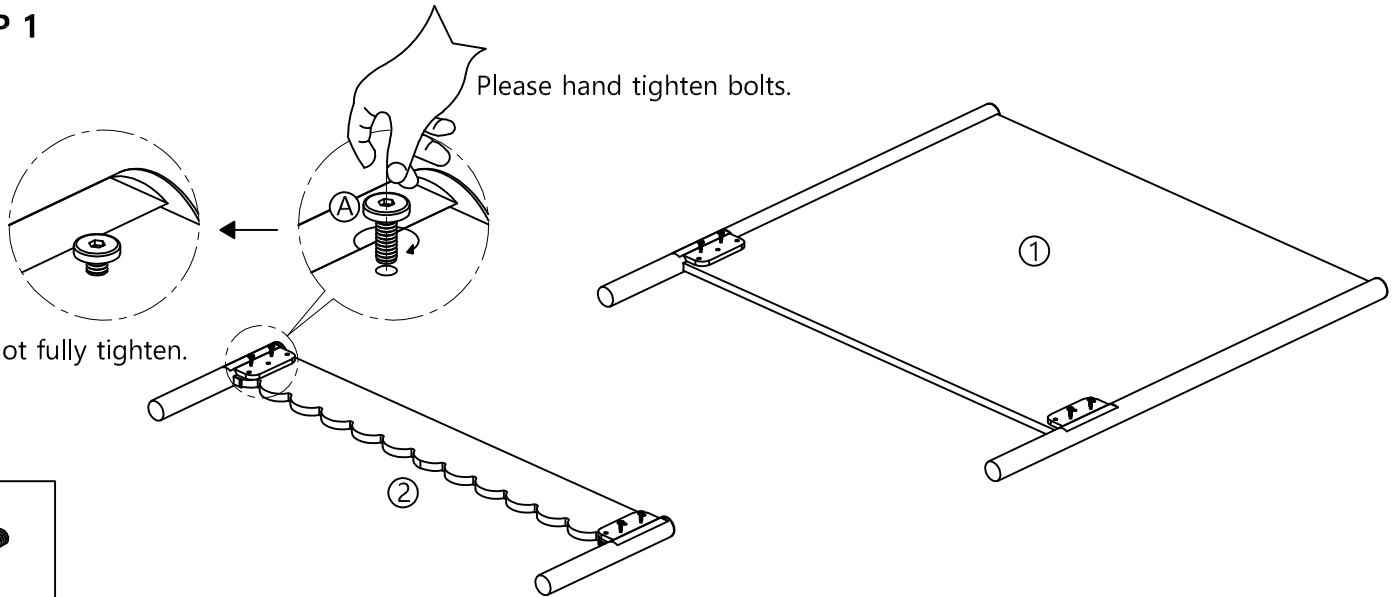
adairs kids

57153 - SADIE SCALLOP KING SINGLE BED

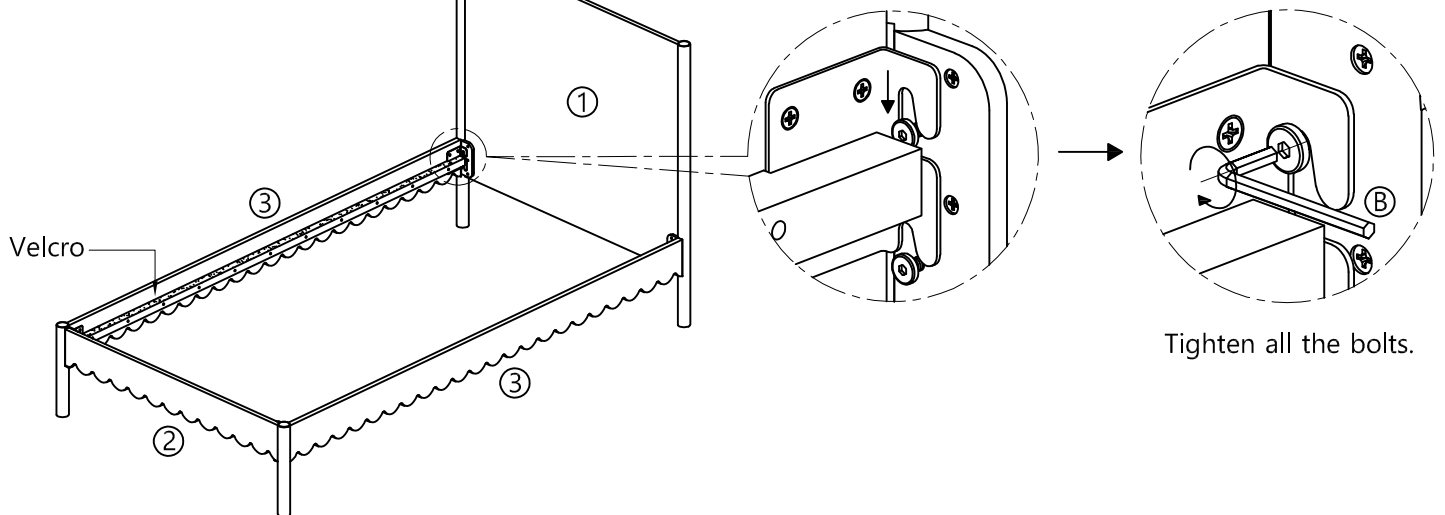
STEP 1

Please hand tighten bolts.

Do not fully tighten.



STEP 2



STEP 3

