

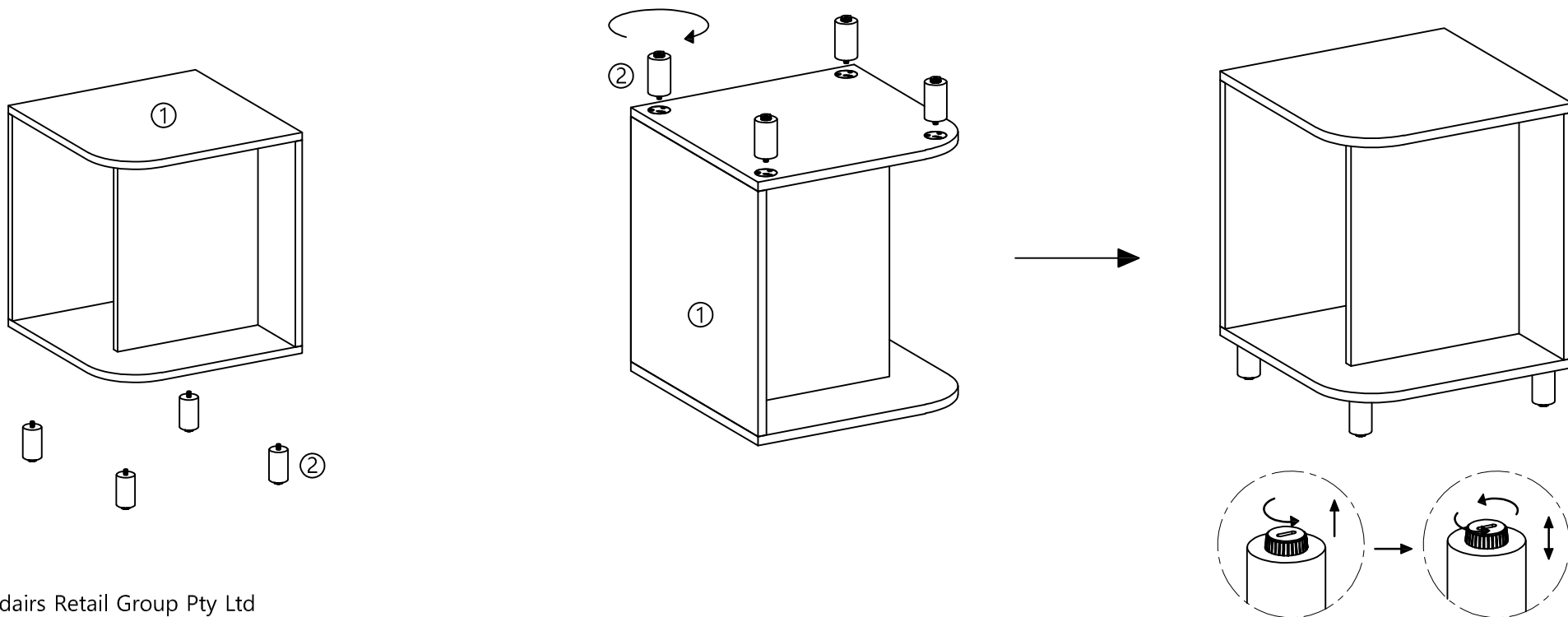
ASSEMBLY INSTRUCTIONS

56949 - RALPH SIDE TABLE

Please read instructions carefully. Remove all wrapping material, staples and packing straps from the carton. See hardware and furniture parts list for guidance. Be sure you have all parts before you start assembling. Place all wooden furniture parts on a clean, flat, soft surface; such as a carpet or rug to prevent the item from being scratched.

PARTS INCLUDED

- 1. Top frame : 1pc
- 2. Leg : 4pcs



Please note stoppers on base of feet can be tightened or loosened for placement on uneven surfaces.