

ASSEMBLY INSTRUCTIONS adairs

ADAIRS OTIS DINING CHAIR

Please read below instructions carefully.

Remove all wrapping material, staples and packing straps from the carton.

See Hardware and Parts List & check you have all parts before you start assembling.

Place all furniture parts on a clean and flat soft surface, such as carpet or rug to prevent the item from being scratched.

FOR ASSEMBLY

There are 2 x Screw Lengths that must be used in correct holes (screws A & B).

Please check instructions carefully A & B screw lengths are different.

Step 1: On a soft surface, place the seat pad upside down so that you can easily see the pre-drilled screw holes

Step 2: Place the legs in position and use the allen key provided to tighten screws A & B to base

PARTS INCLUDED

1. SEAT PAD : 1 PC

2. LEG BRACKET : 1 PC

HARDWARE LIST

A. SCREW M6x20mm : 2 PC

B. SCREW M6x25mm : 2 PC

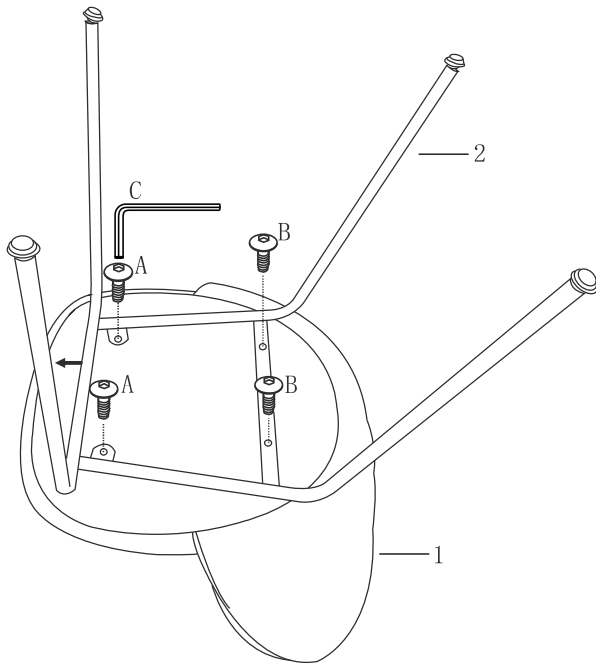
C. ALLEN KEY : 1 PC



ASSEMBLY INSTRUCTIONS adairs

ADAIRS OTIS DINING CHAIR

①



②

ADJUST FEET WHERE REQUIRED TO ENSURE CHAIR SEATS EVENLY ON FLOOR

