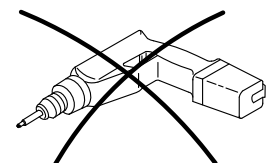
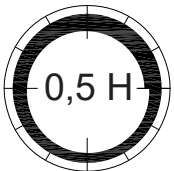
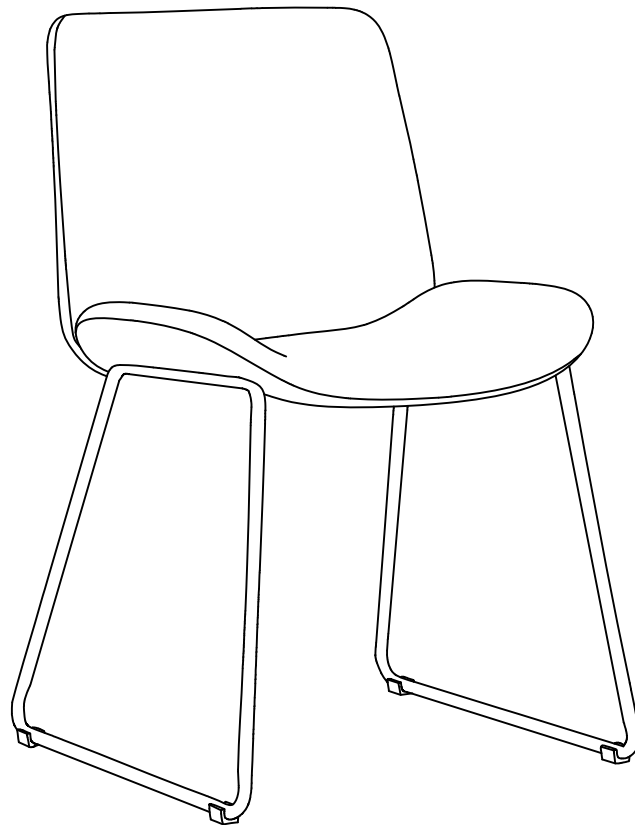


# ASSEMBLY INSTRUCTIONS

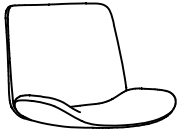
## NORWICH DINING COLLECTION DINING CHAIR

Please read instructions carefully. Remove all wrapping material and packing from the carton. See hardware and furniture parts list for guidance. Be sure you have all parts before you start to assemble the product. Place all furniture parts on a clean surface, such as carpet or rug to prevent the item from being scratched.



Part list:

1 x Part 1



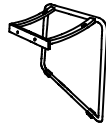
Seater

1 x Part 2



Leg left

1 x Part 3



Leg right

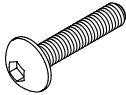
Hardware list:

Ax2



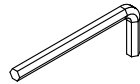
Bolt  
M8x14

Bx4



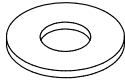
Bolt  
M6x30

Cx1



Allen key  
5mm

Dx4

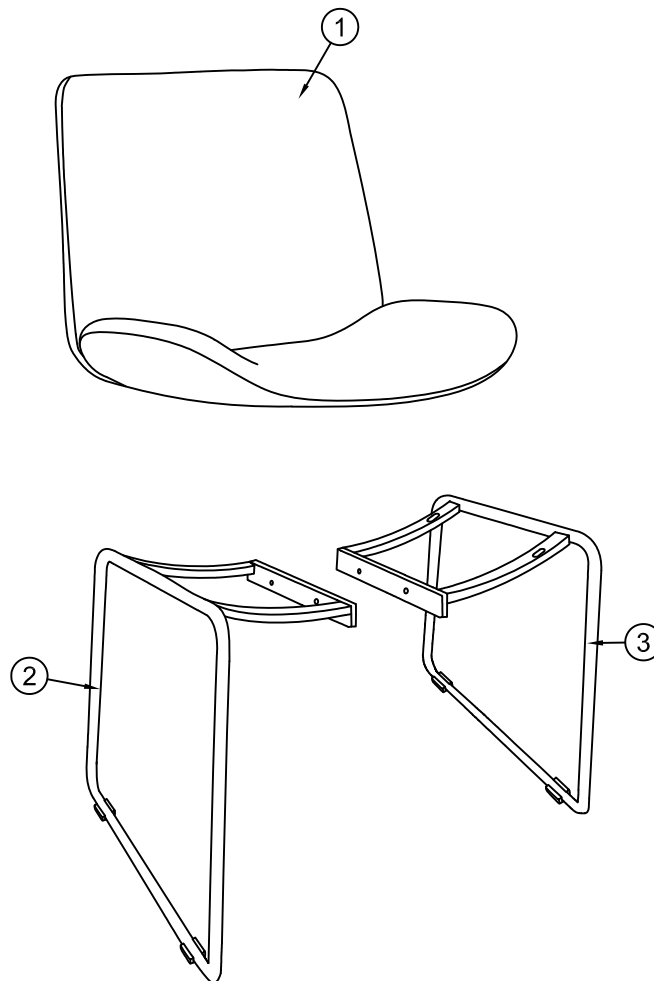


Washer  
Ø6/Ø16

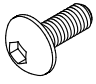
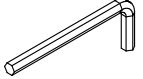
Ex4

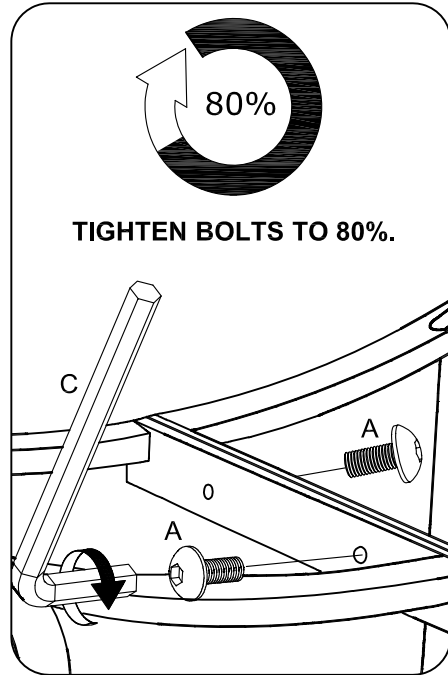
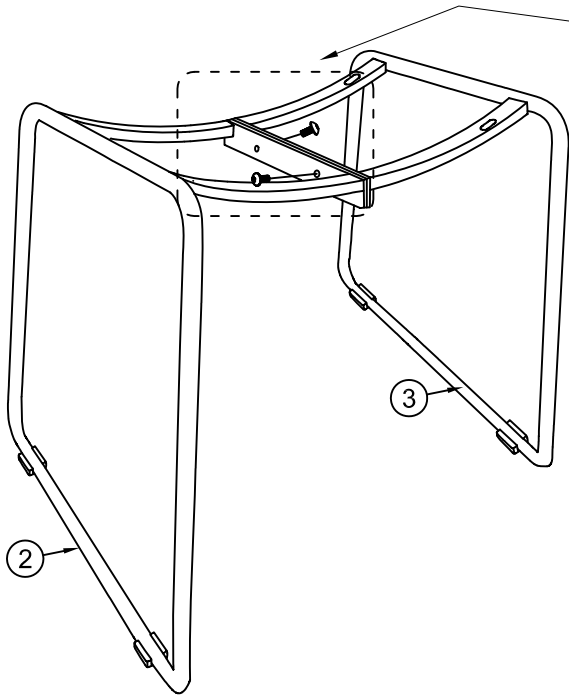


Spring washer  
Ø6/Ø10

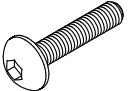
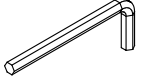




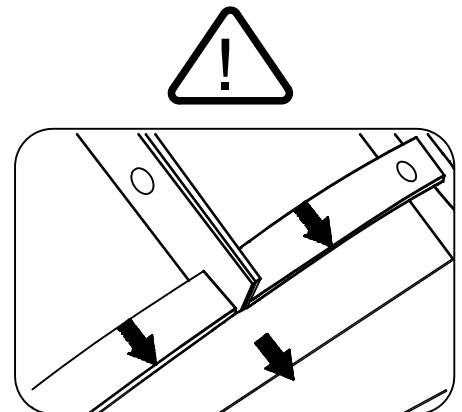
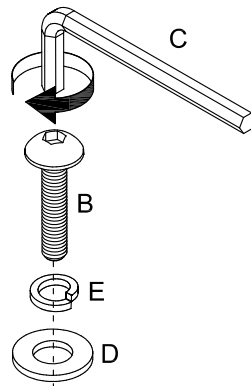
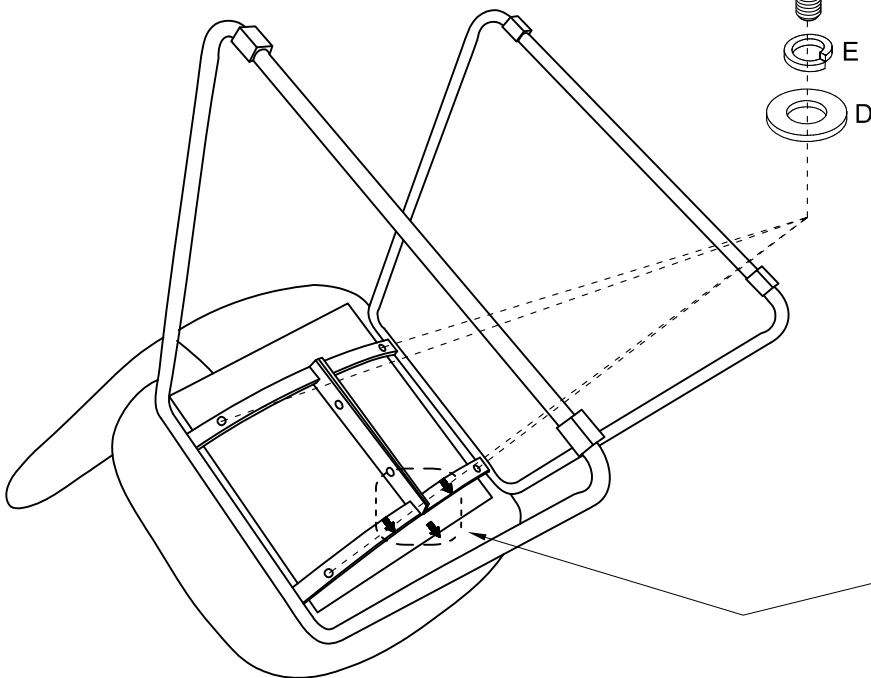
1

Ax2  M8x14mm	Cx1  5mm
---	---

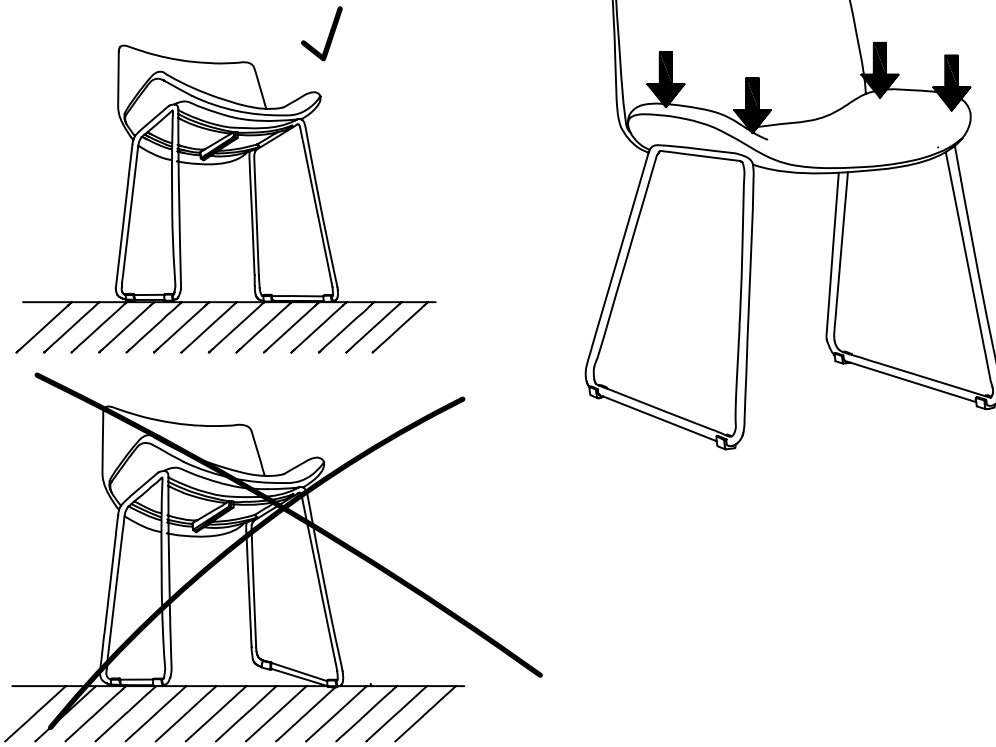


2

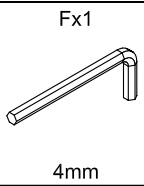
Bx4  M6x30mm	Cx1  5mm	Dx4  Ø6/Ø16mm	Ex4  Ø6/Ø10mm
---	---	--	--



3



4



100%  
NOW TIGHTEN BOLTS TO 100%

