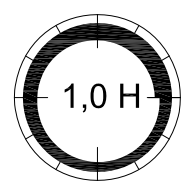
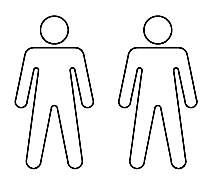
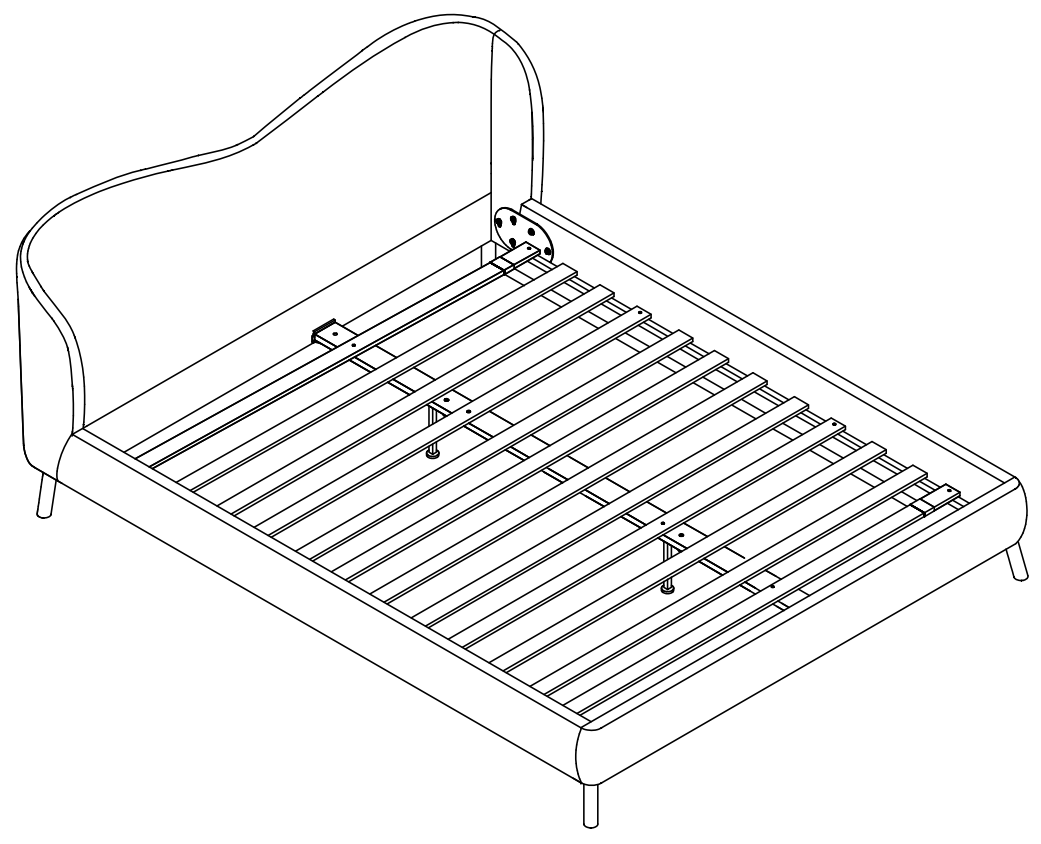


ASSEMBLY INSTRUCTIONS

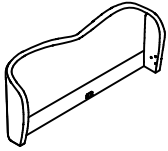
JULIETTE DOUBLE FULL BED

Please read instructions carefully. Remove all wrapping material and packing from the carton. See hardware and furniture parts list for guidance. Be sure you have all parts before you start to assemble the product. Place all furniture parts on a clean surface, such as carpet or rug to prevent the item from being scratched.



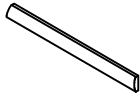
Part list:

1 x Part 1



Headboard

1 x Part 2



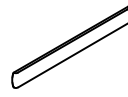
Side rail left

1 x Part 3



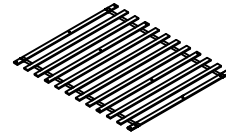
Side rail right

1 x Part 4



Footboard

1 x Part 5



Slats

1 x Part 6



Middle support

4 x Part 7



Leg

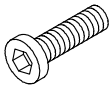
2 x Part 8



Support leg

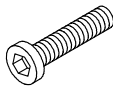
Hardware list:

Ax28



Bolt
M8x25

Bx4



Bolt
M8x35

Cx2



Bolt
M6x15

Dx12



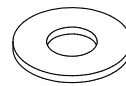
Screw
Ø5x25

Ex4



Nut
M8/13

Fx26



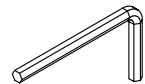
Washer
Ø8/Ø19

Gx22



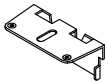
Spring washer
Ø8/Ø13

Hx1



Allen key
5mm

Jx2



Bracket
68x32x30

Kx2



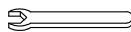
Connecting plate
204x120x3

Lx4



Felt
Ø20x3

Mx1

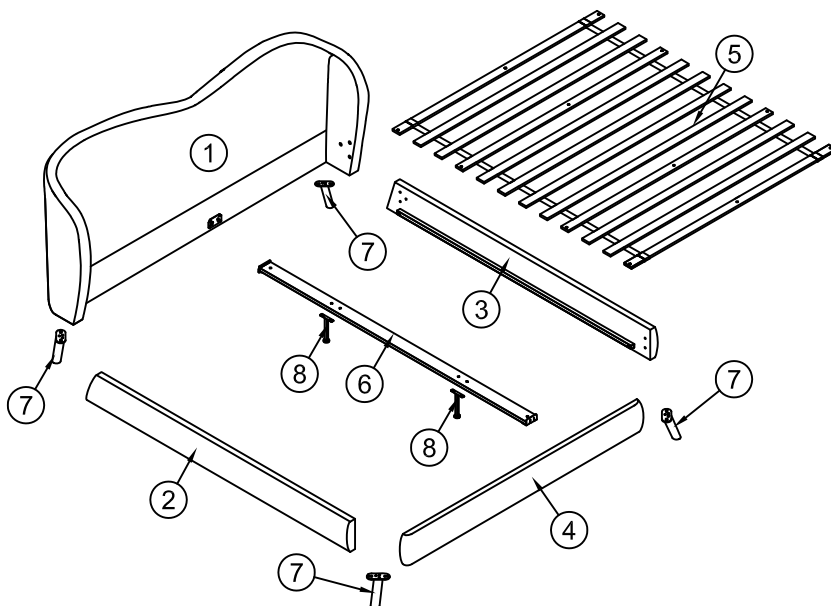


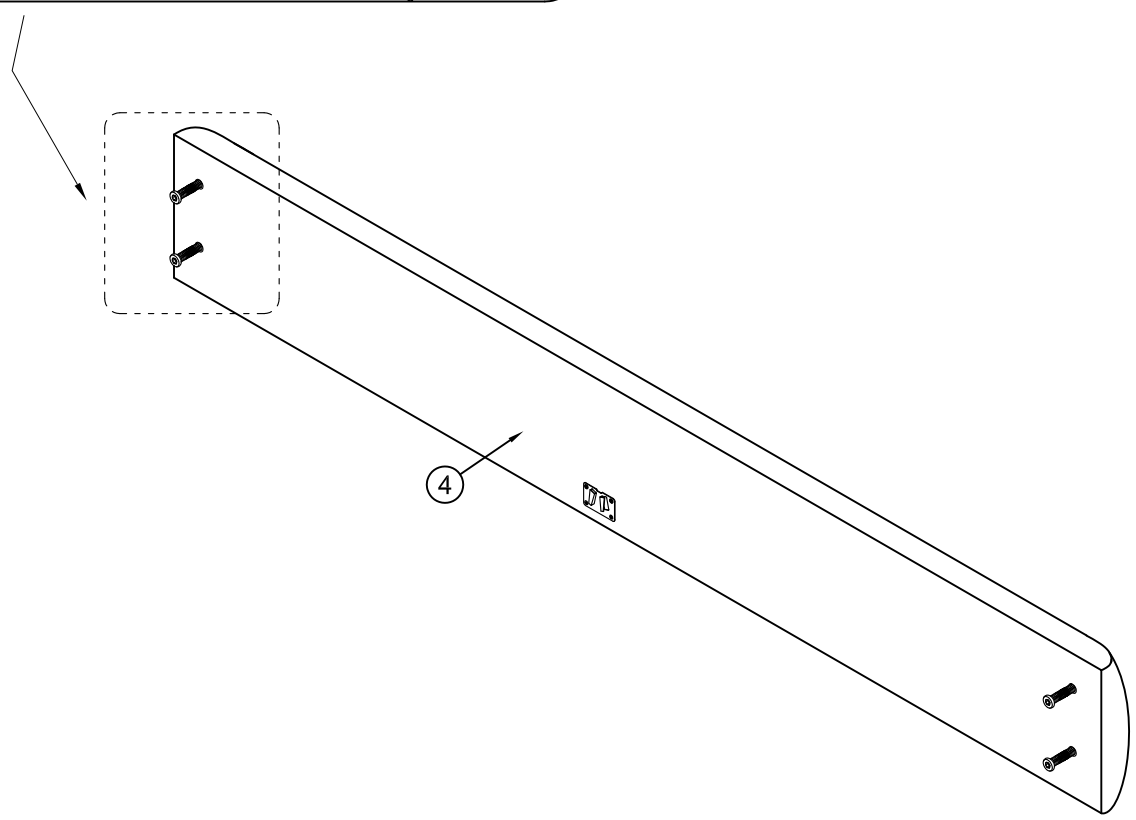
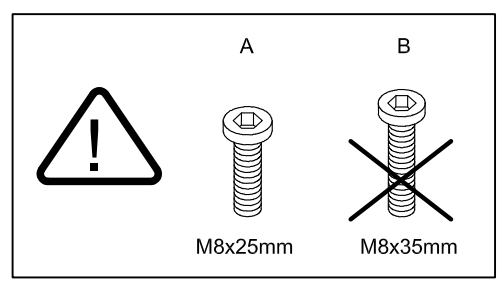
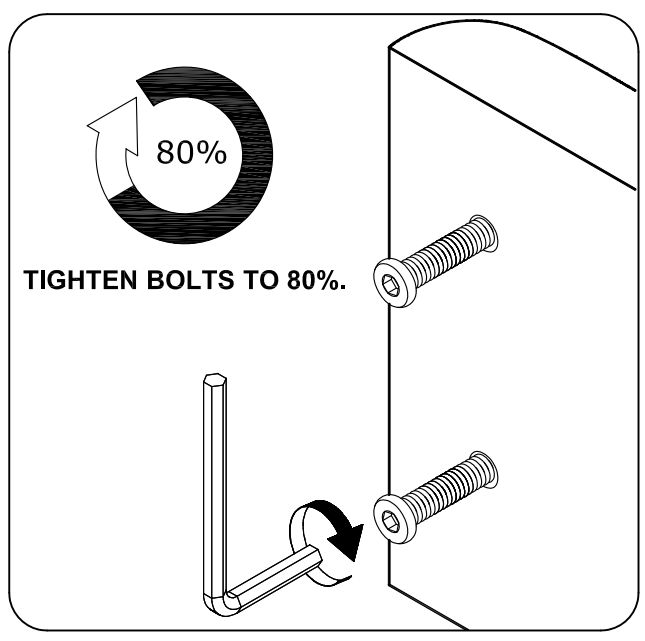
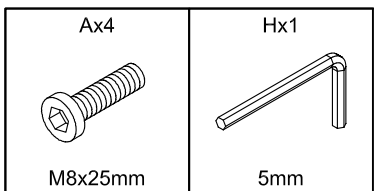
Spanner
13

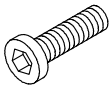
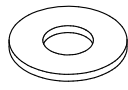
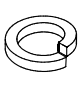
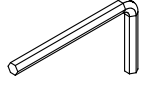

Nx2

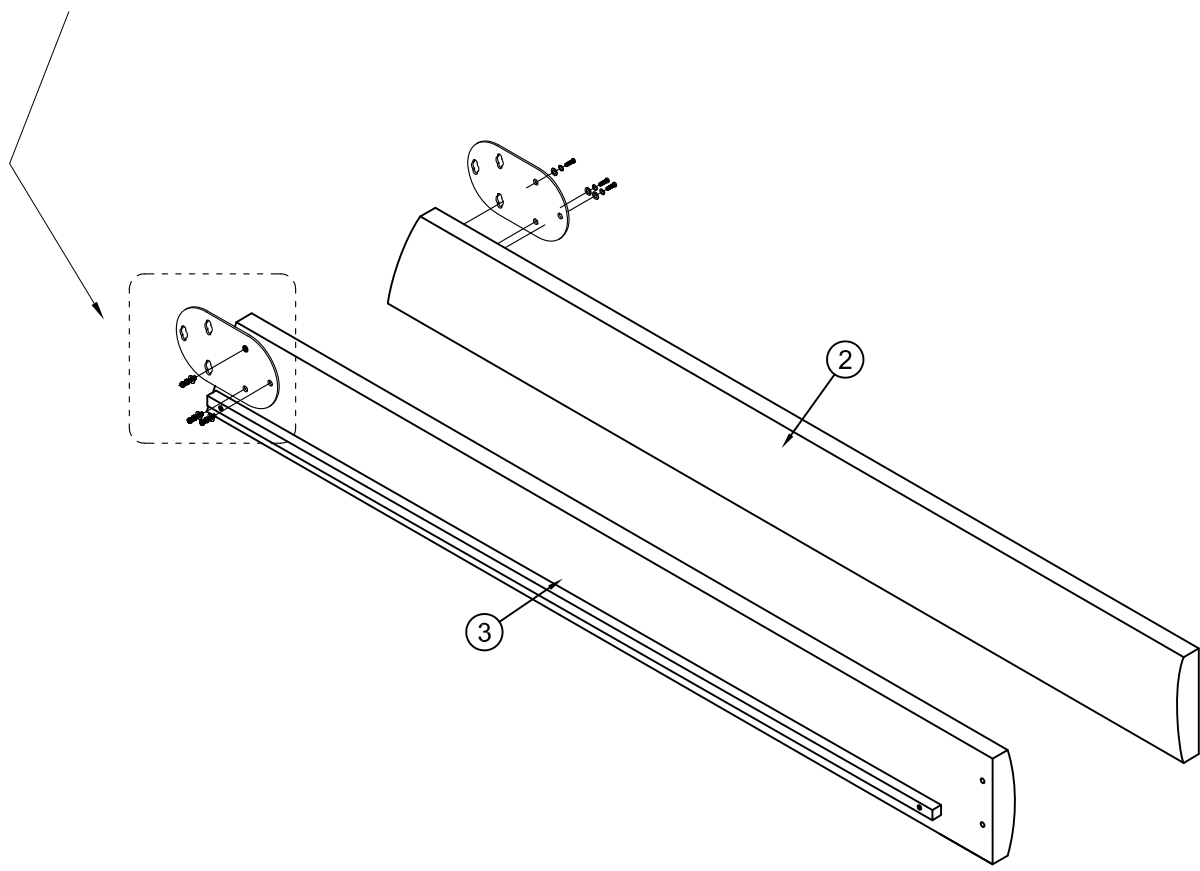
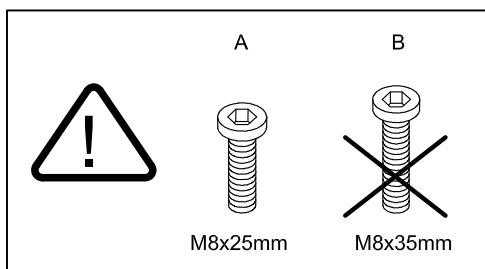
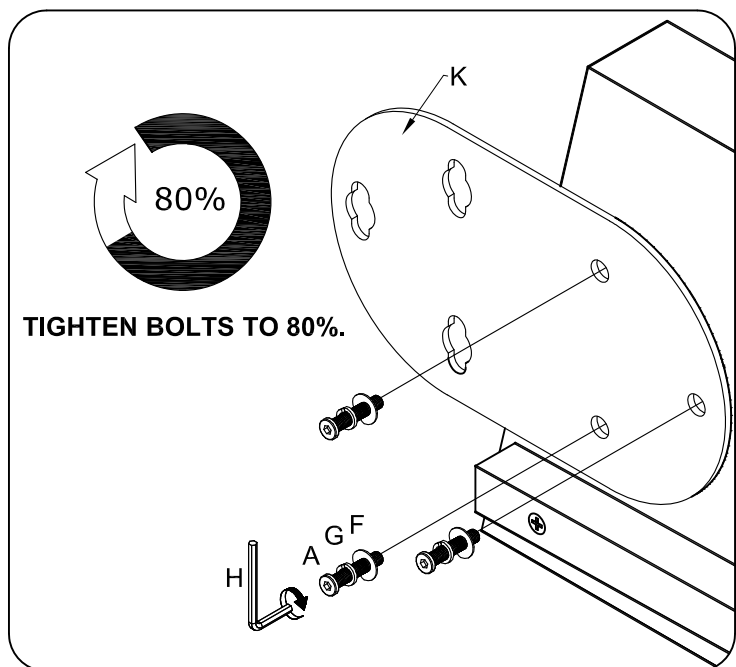


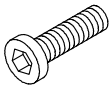
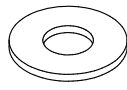
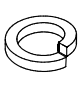
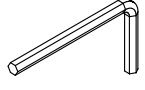
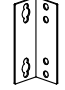
Bracket
130x47x47

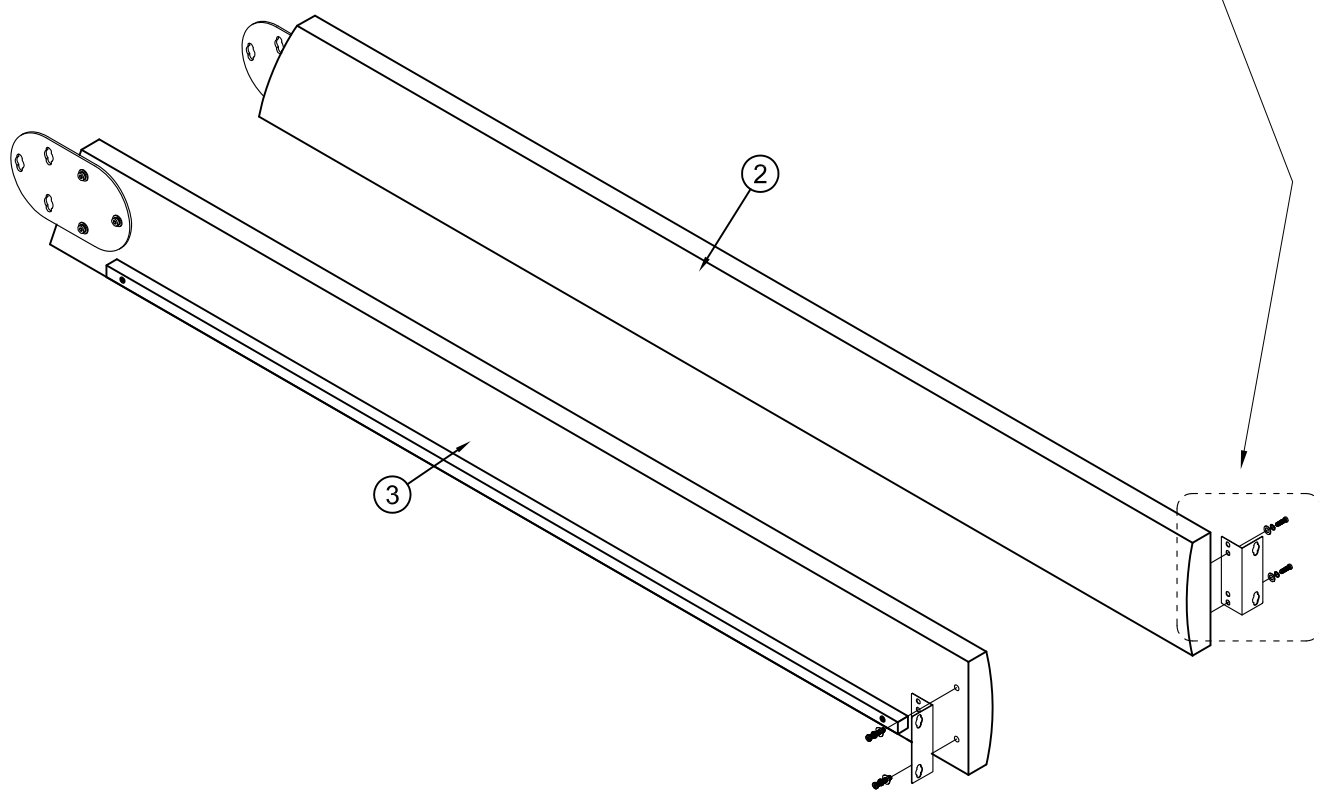
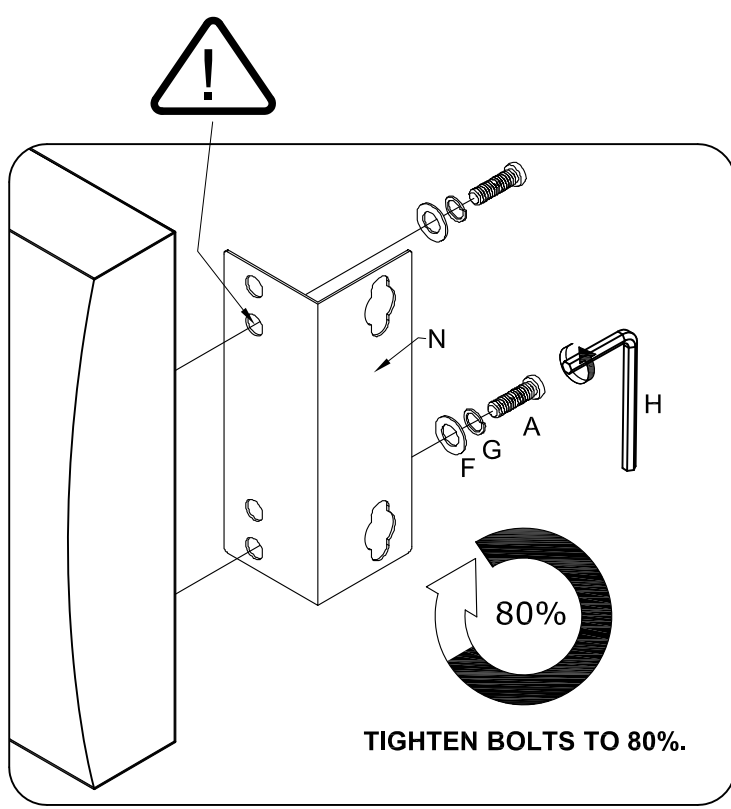
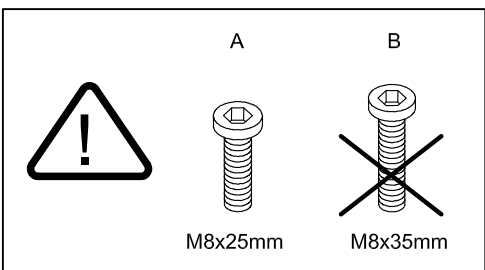


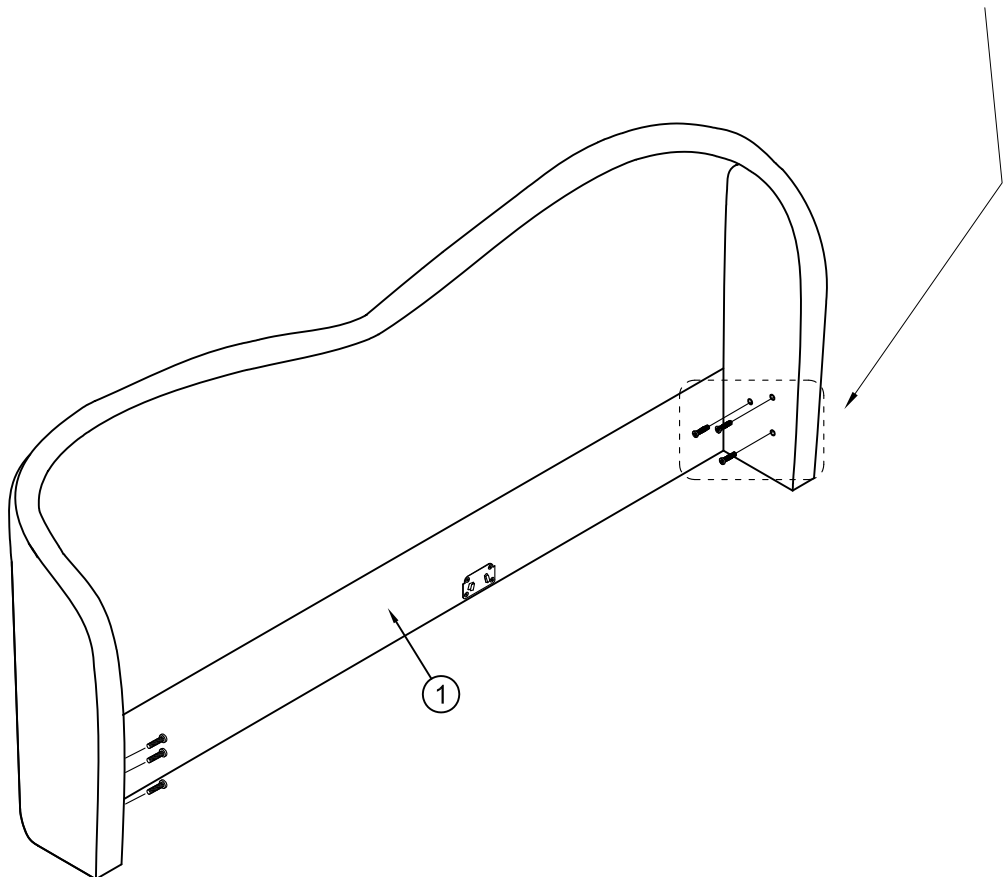
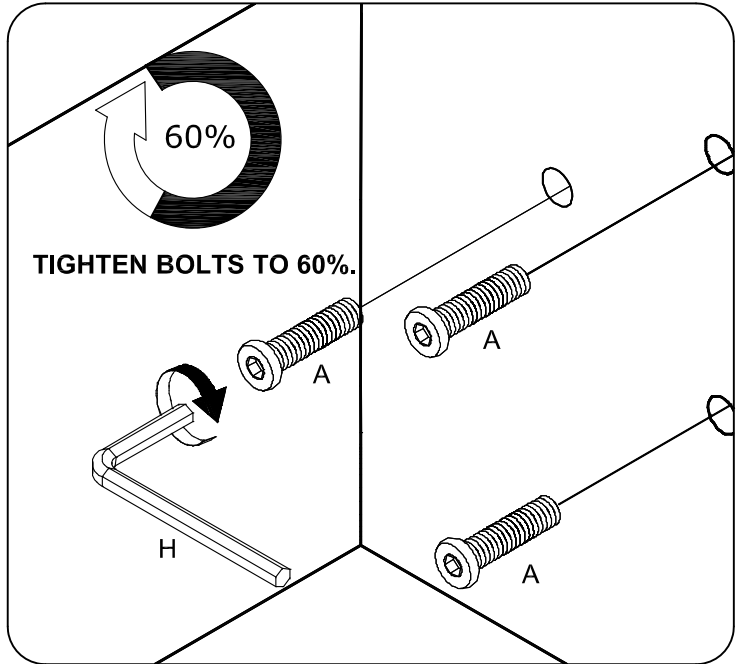
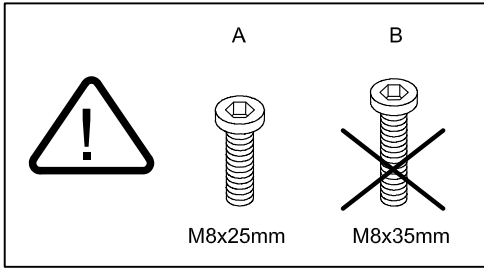
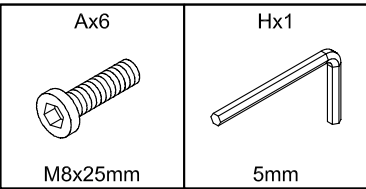


Ax6  M8x25mm	Fx6  Ø8/Ø19mm	Gx6  Ø8/Ø13mm	Hx1  5mm	Kx2  204x120x3mm
---	--	--	---	---

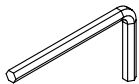


Ax4  M8x25mm	Fx4  Ø8/Ø19mm	Gx4  Ø8/Ø13mm	Hx1  5mm	Nx2  130x47x47mm
---	--	--	---	---

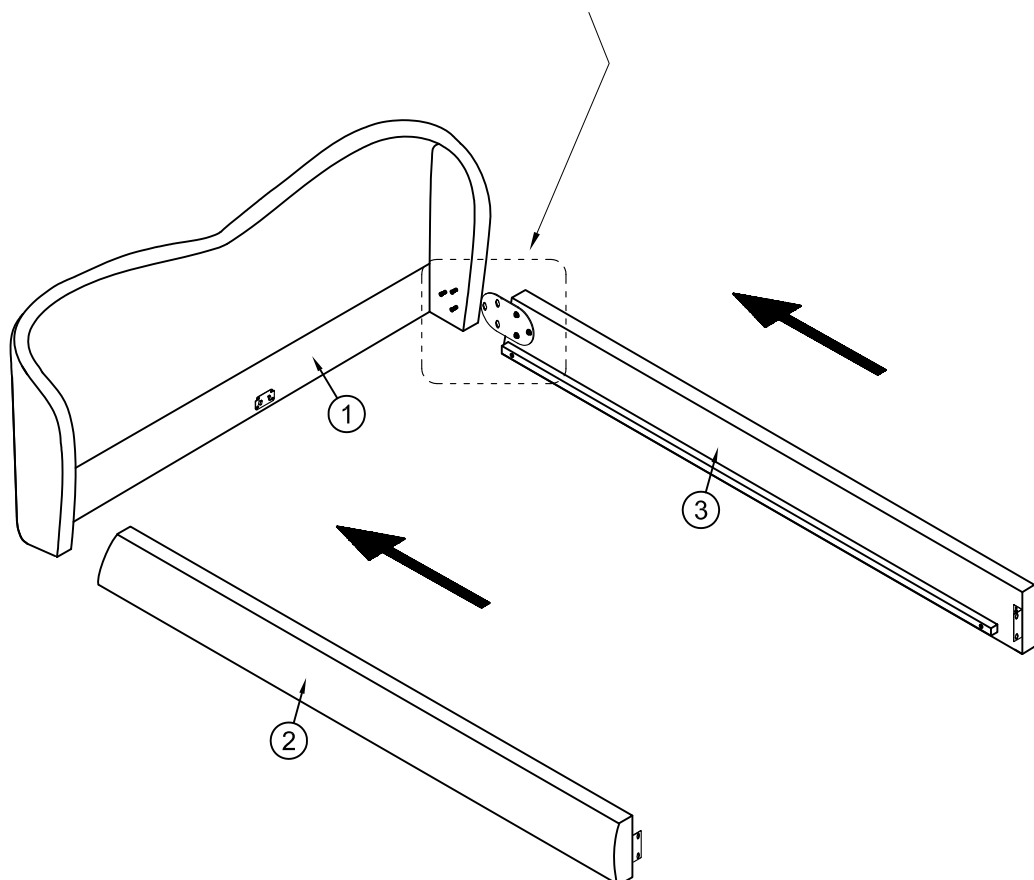
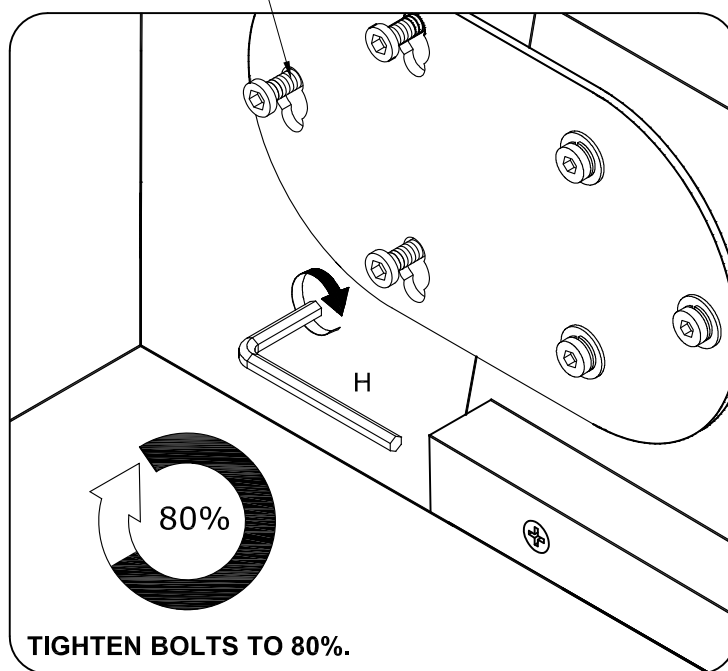


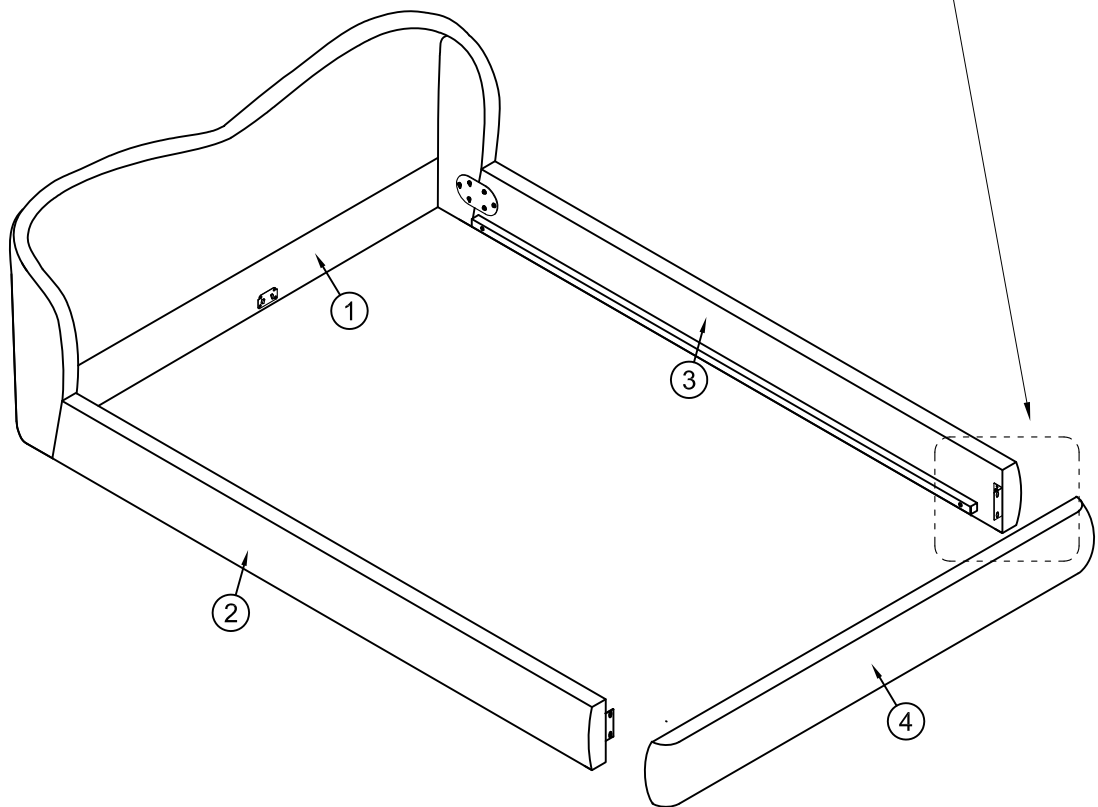
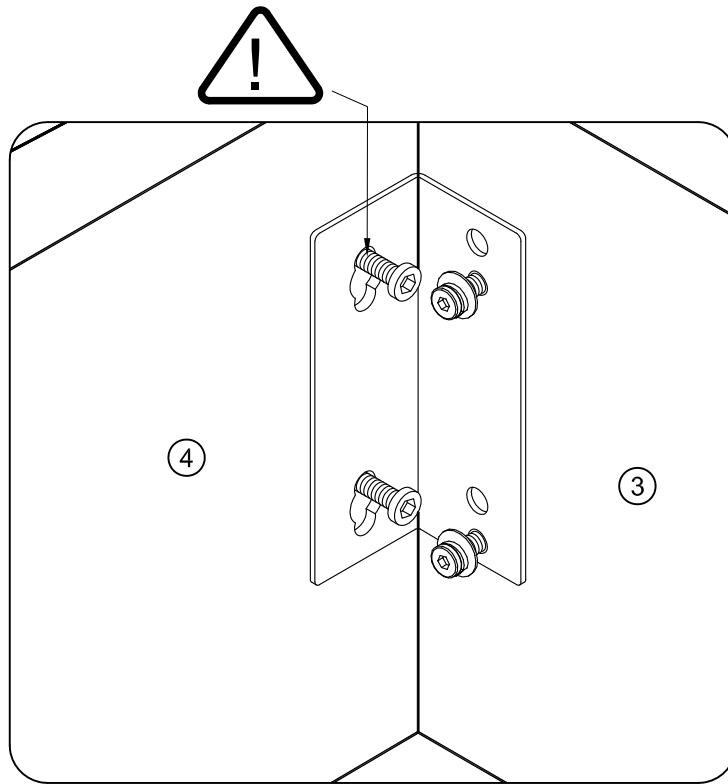


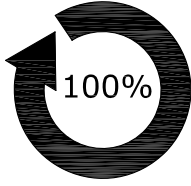
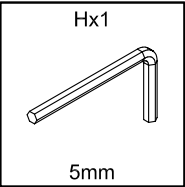
Hx1



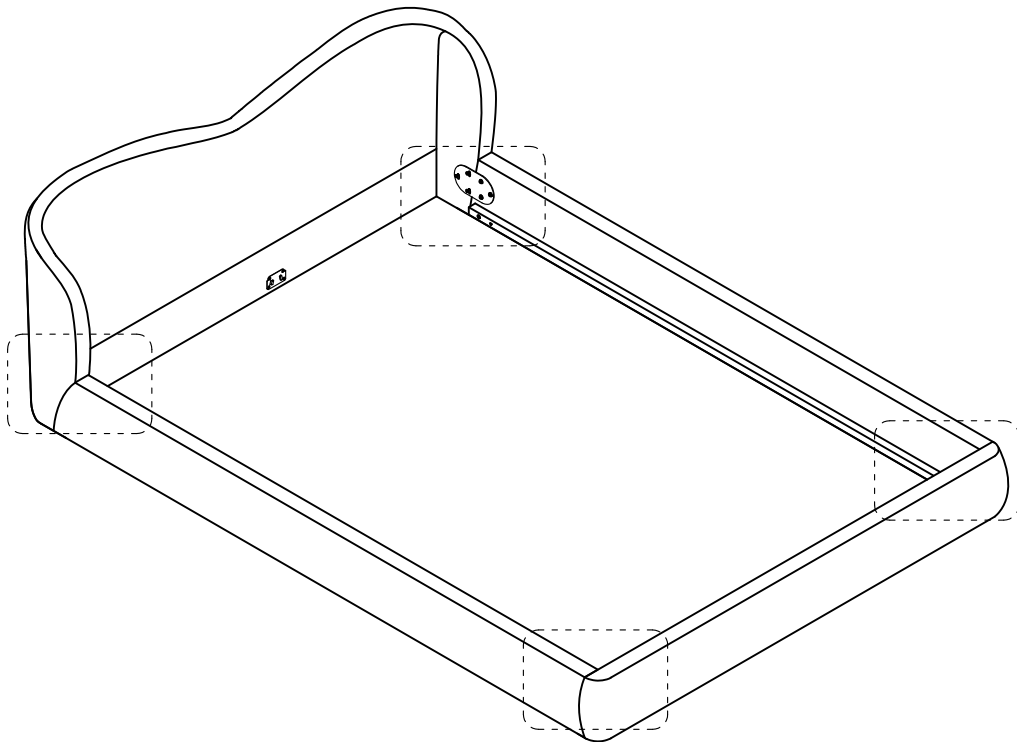
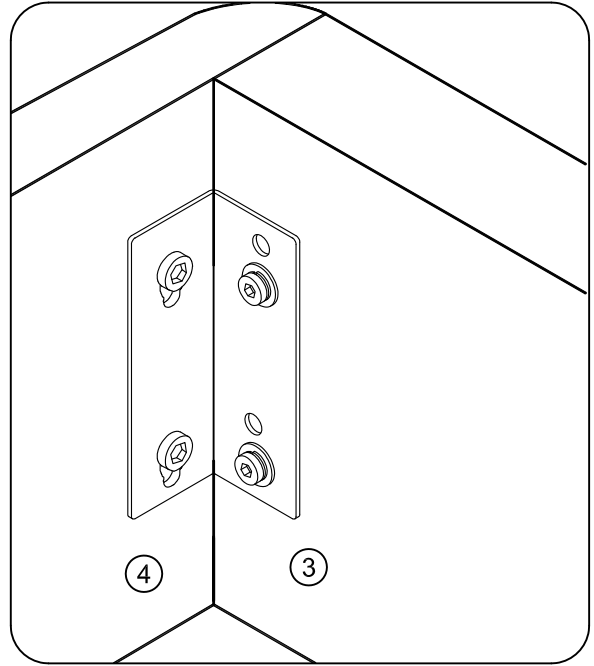
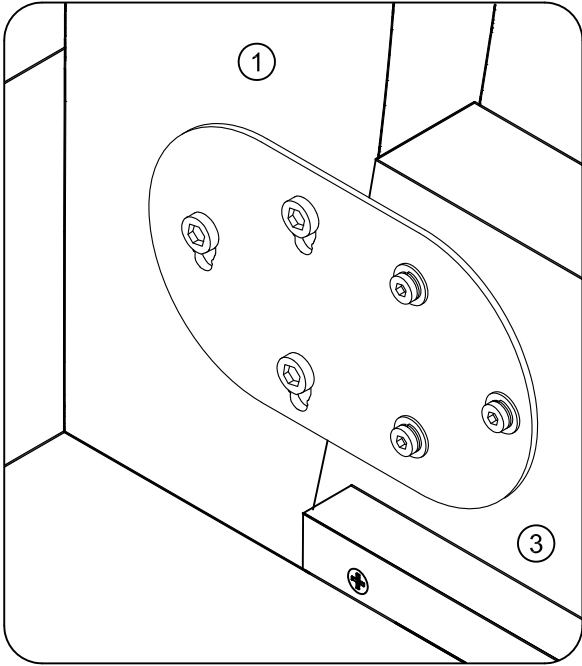
5mm





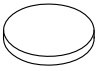


NOW TIGHTEN BOLTS TO 100%

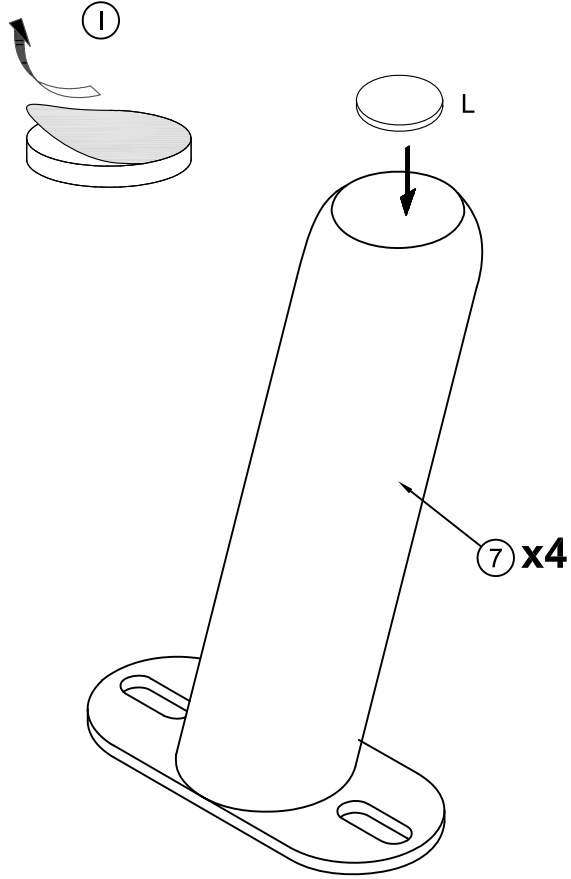


8

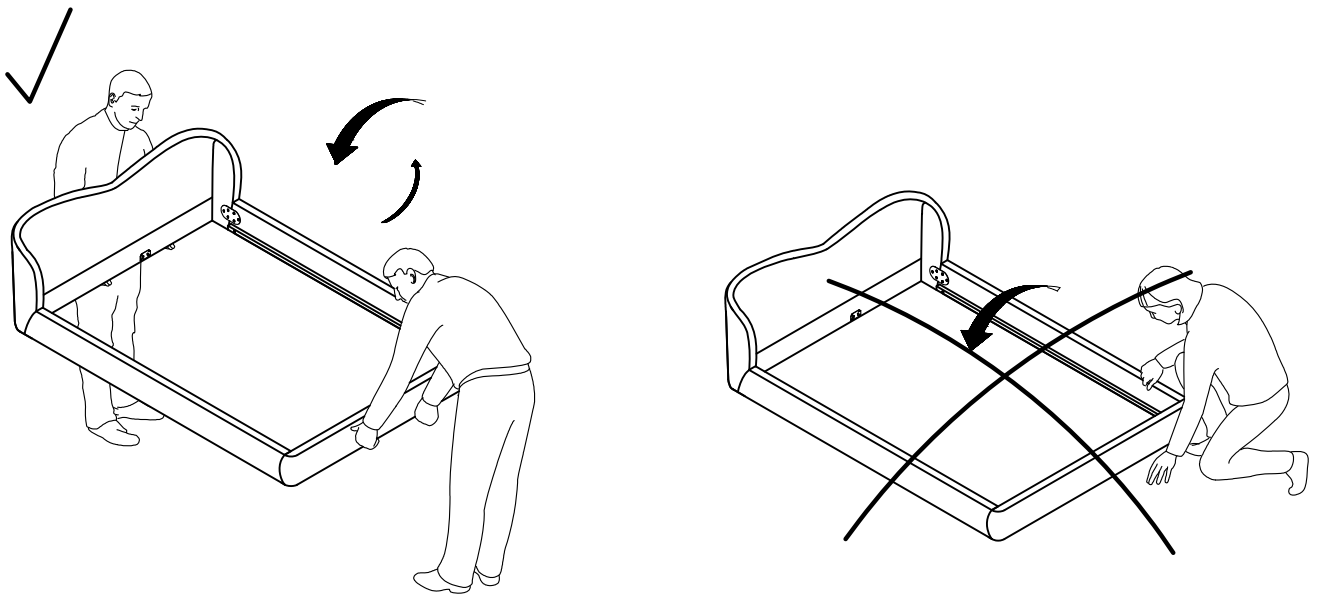
Lx4



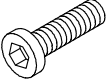
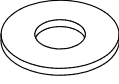
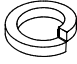
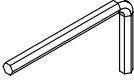
Ø20x3mm

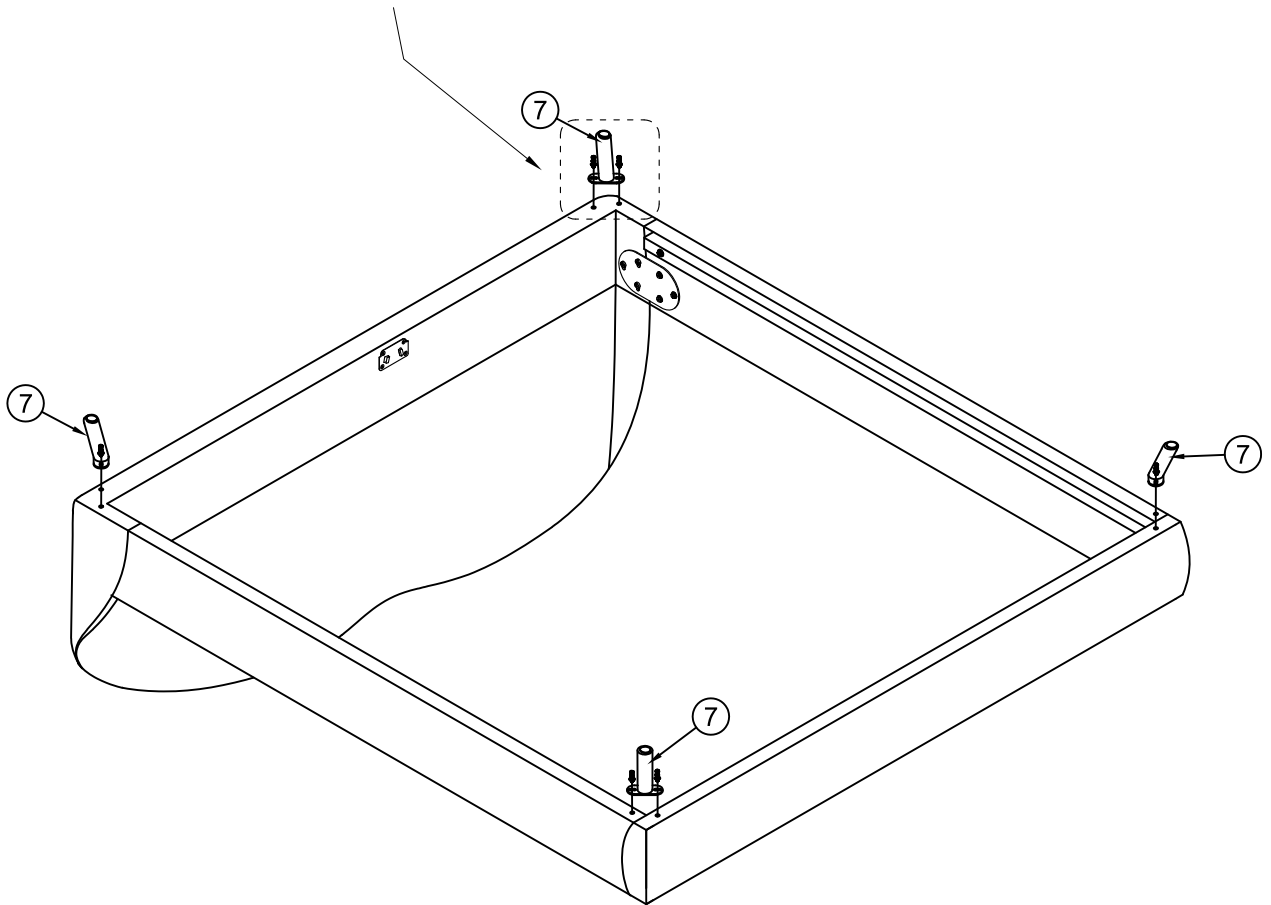
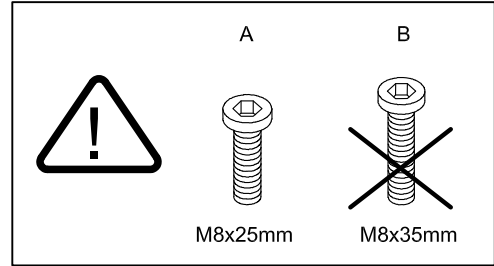
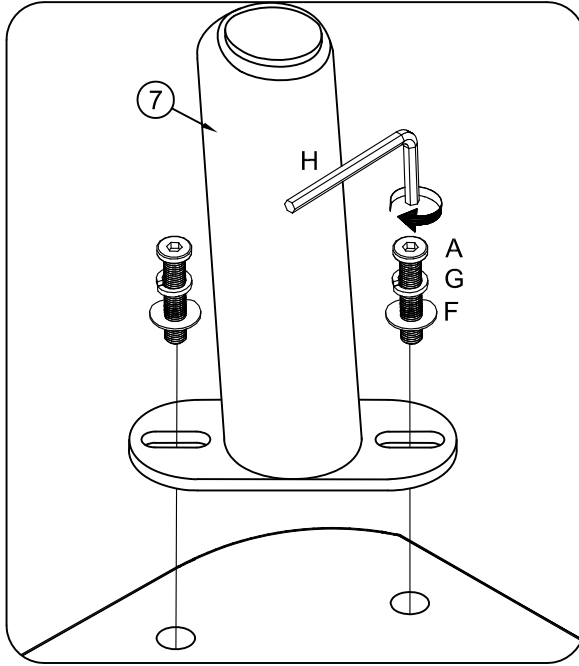


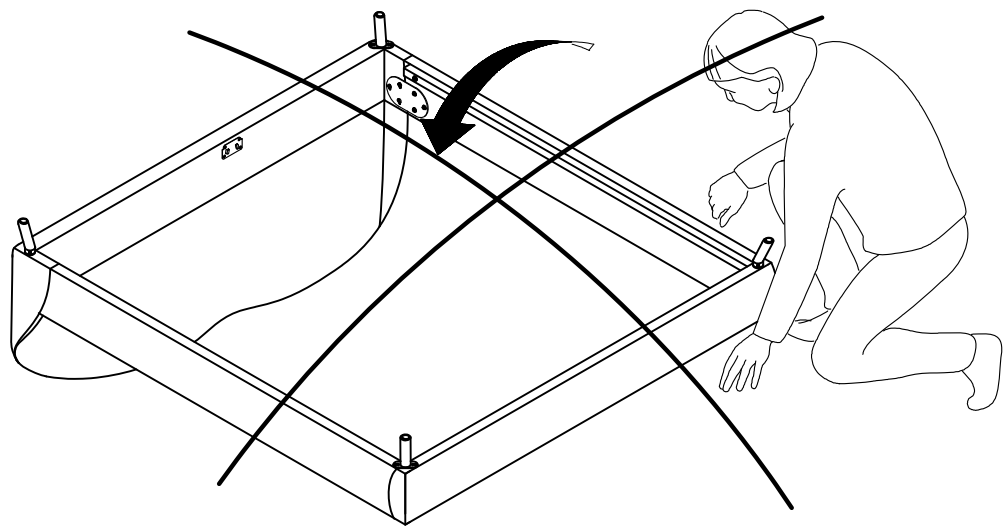
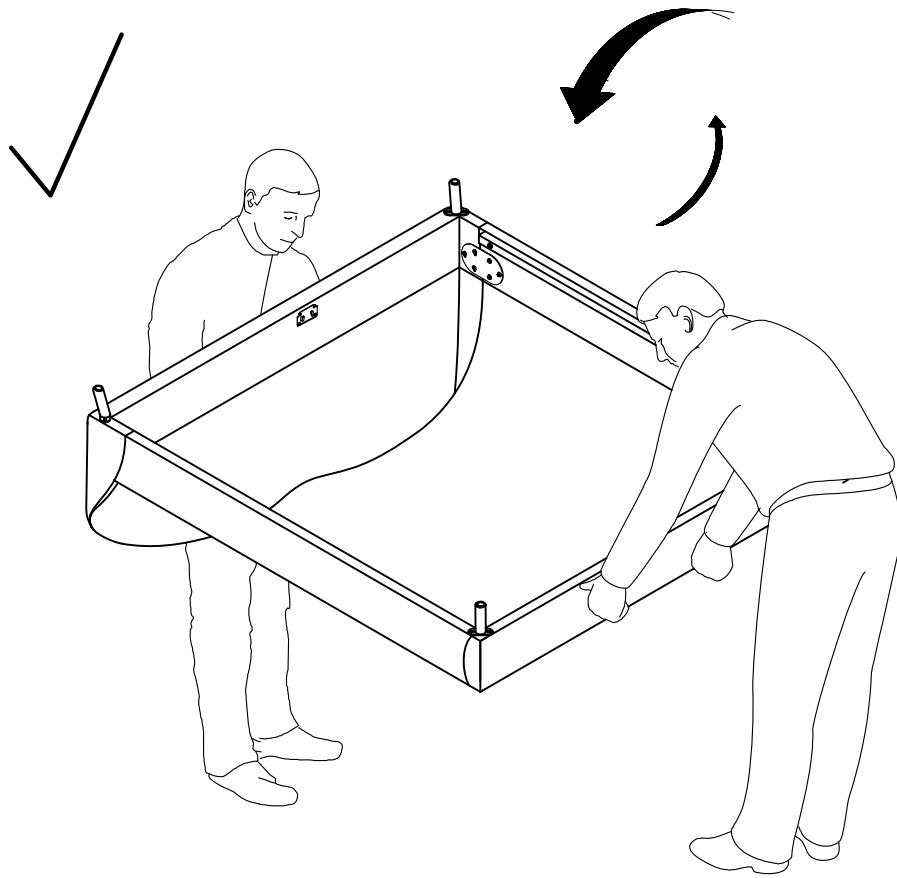
9

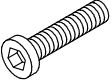

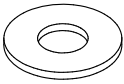
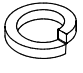
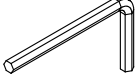



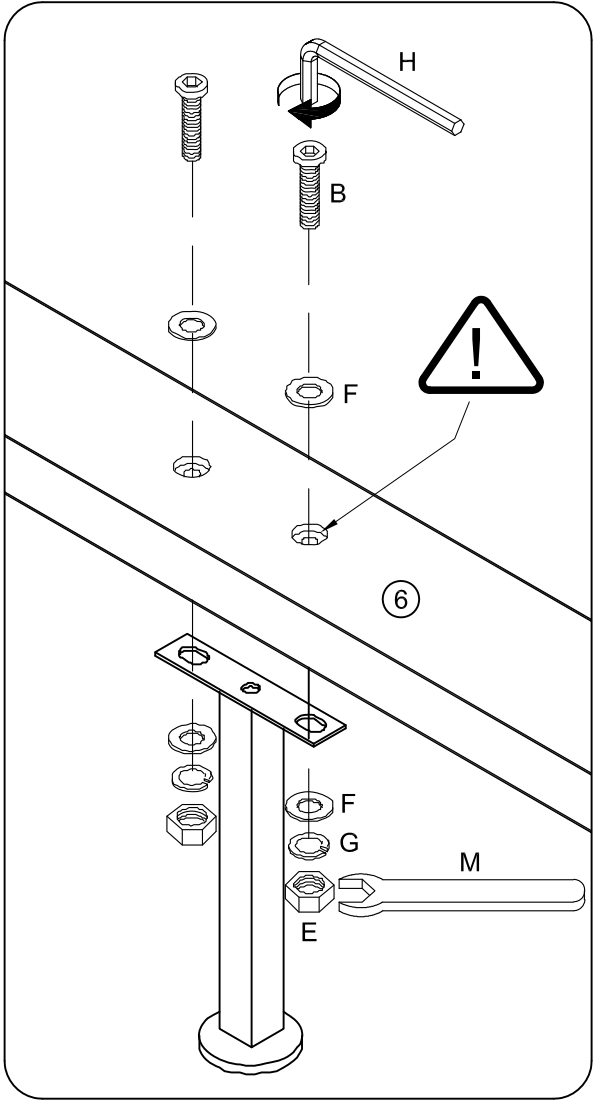
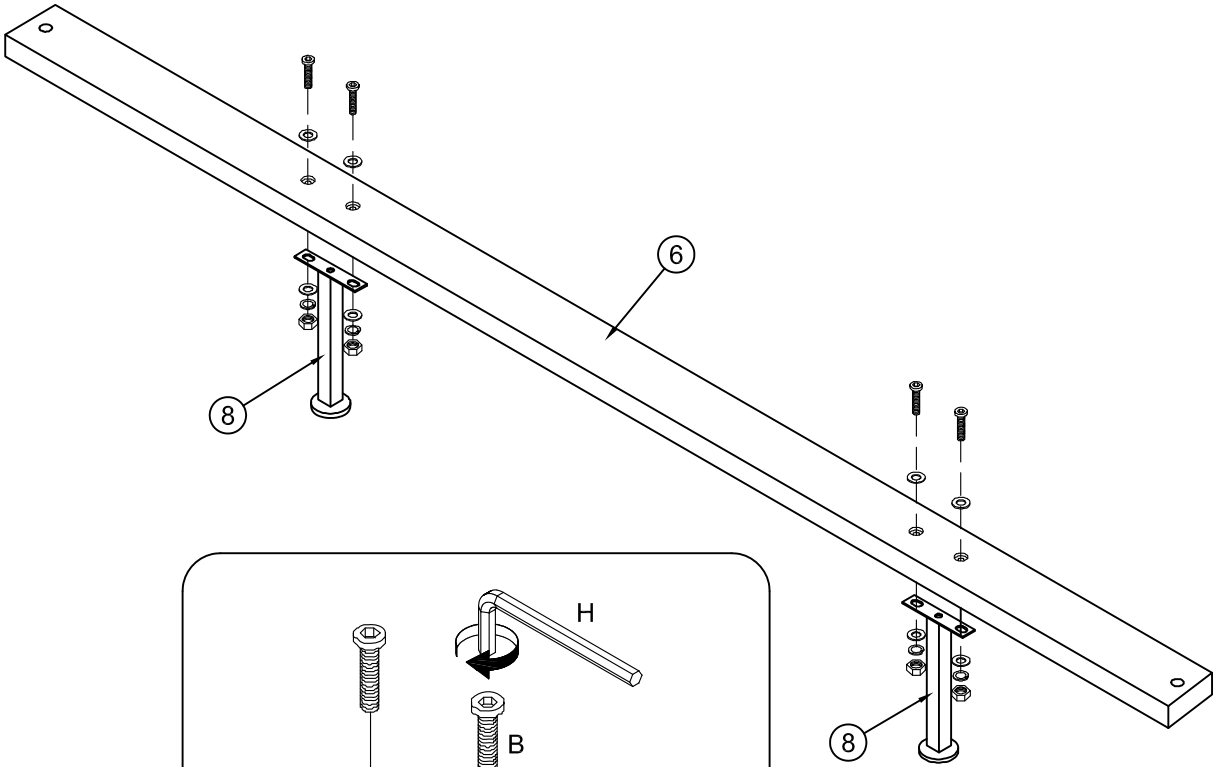
BEFORE TURNING BED UPSIDE DOWN, MAKE SURE THE SURFACE BELOW IS CLEAN AND FREE OF DUST. WE RECOMMEND USING TWO PEOPLE TO MOVE THE BED

Ax8  M8x25mm	Fx8  Ø8/Ø19mm	Gx8  Ø8/Ø13mm	Hx1  5mm
---	--	--	---





Bx4  M8x35mm	Ex4  M8/13 mm	Fx8  Ø8/Ø19mm	Gx4  Ø8/Ø13mm	Hx1  5mm	Mx1  13mm
---	--	--	--	---	--

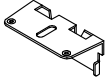


Cx2

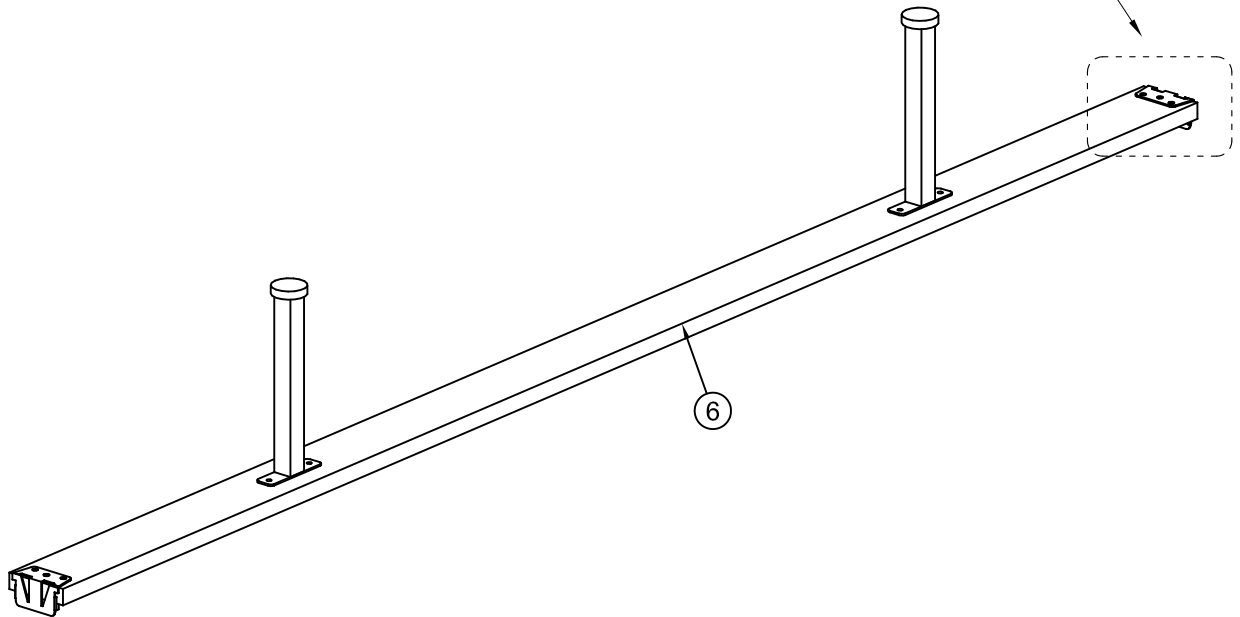
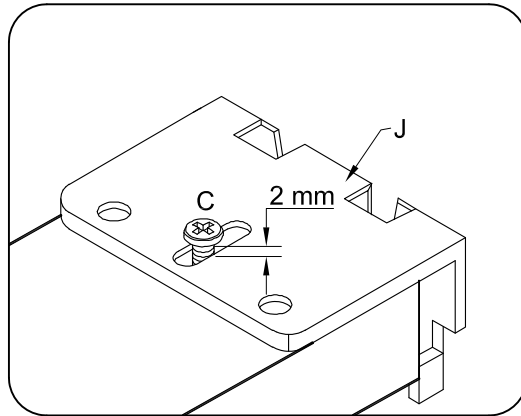
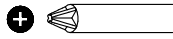


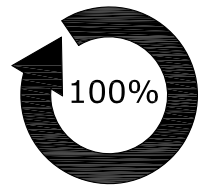
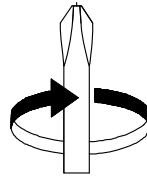
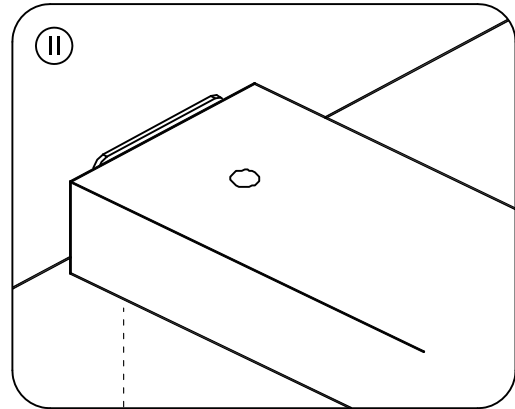
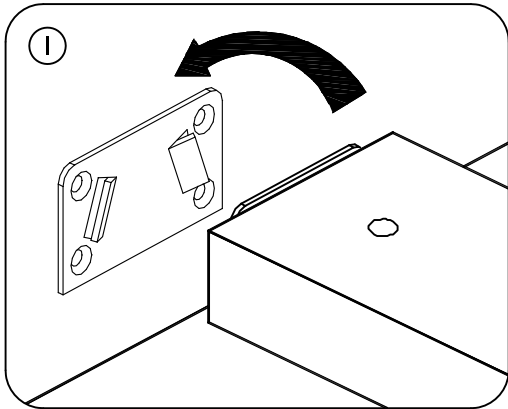
M6x15mm

Jx2

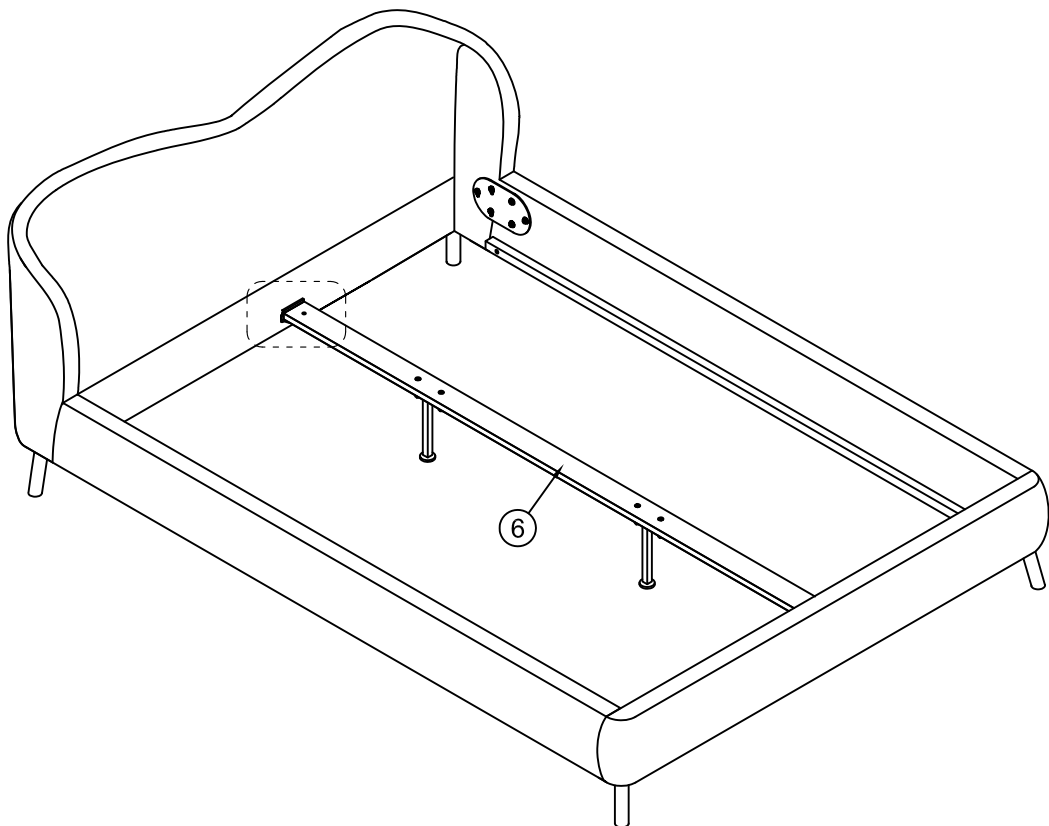


68x32x30mm

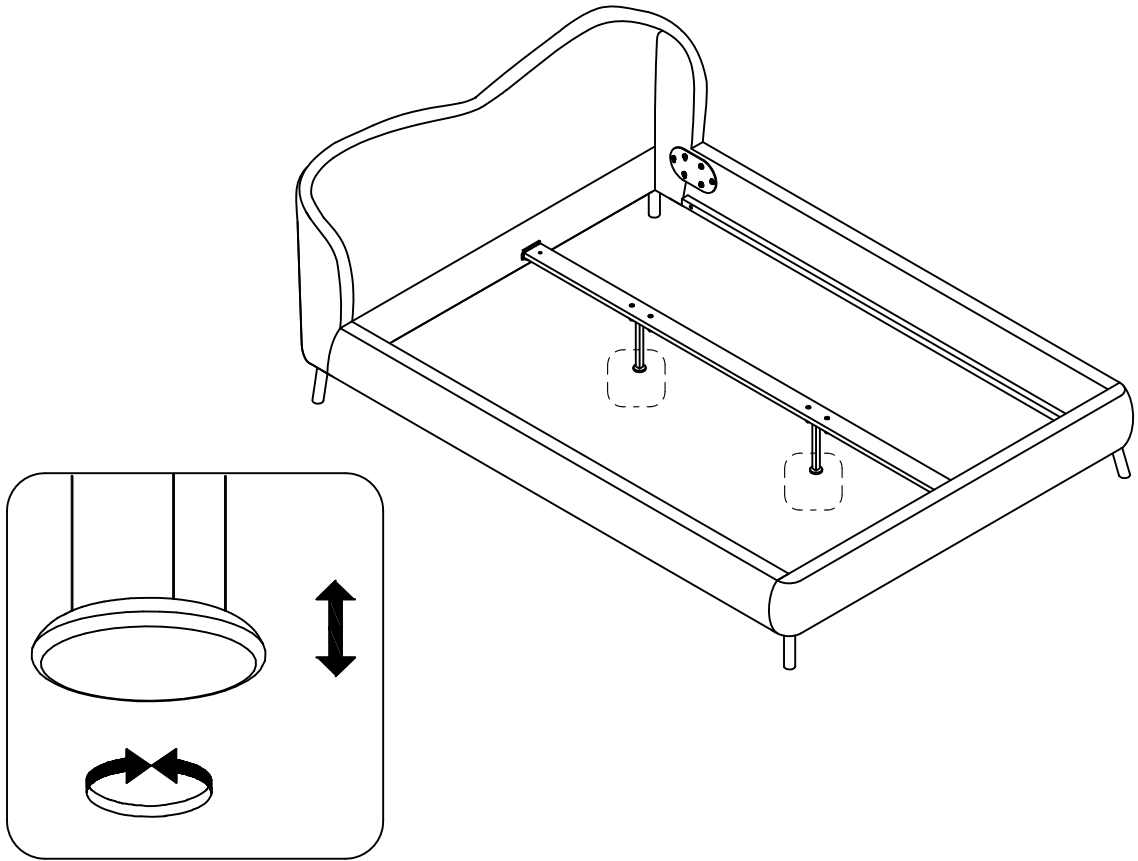




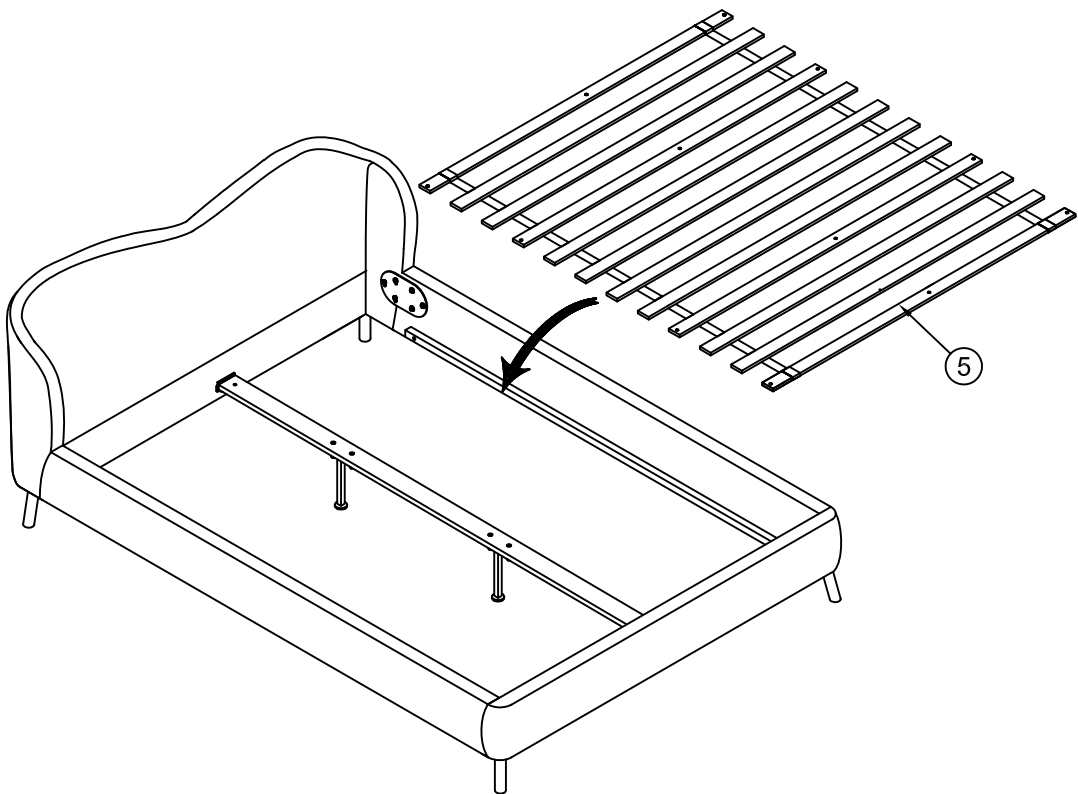
NOW TIGHTEN BOLTS TO 100%



15

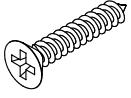


16

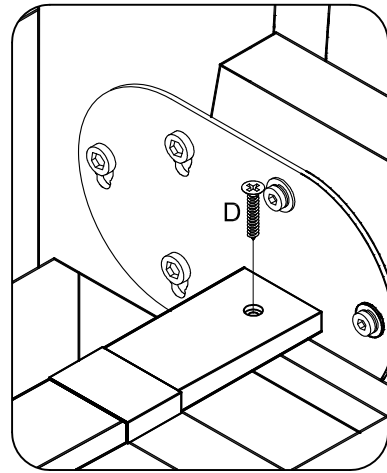
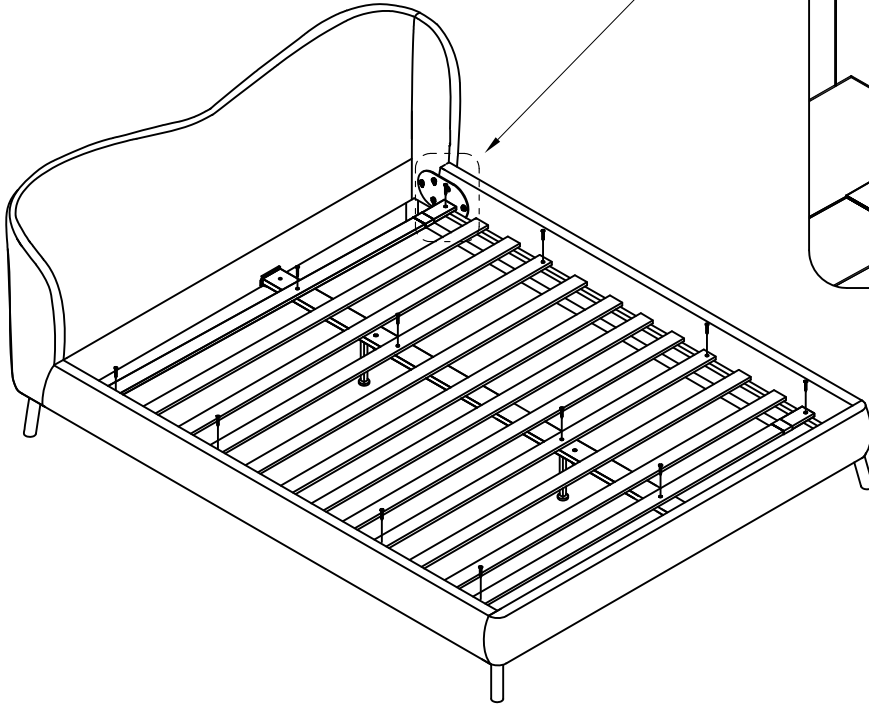


17

Dx12



Ø5x25mm



18

