



ARDEN COT

INSTRUCTIONS

PRODUCT CODE: 45777

COUNTRY OF ORIGIN: Vietnam

COMPOSITION: EU Ash, China Ash Veneer, Plywood & Vietnam Rattan.

IMPORTANT: PLEASE READ THE INSTRUCTIONS CAREFULLY
AND KEEP FOR FUTURE REFERENCE.

FOR ASSEMBLY:

- Check all contents are included and no pieces are missing or broken.
- It is recommended assembly is done on a soft surface to avoid damage.
 - During assembly do not overtighten screws and fitting.
- Once assembly is complete ensure all screws and fitting are tight and firm.
 - Mattress is not included.

ADAIRS RETAIL GROUP

2 International Court Caribbean Business Park,
Scoresby Vic 3179 | 03 8888 4500

adairsbaby

adairsbaby

ARDEN COT

AUSTRALIA AND NEW ZEALAND (AS/NZS 2172:2013)
RECOMMENDED MATTRESS SIZE 1300mm x 690mm x 130mm

This cot has been manufactured for use with a mattress which measures 690mm wide by 1300mm long and 130 mm in thickness. The width and length are specified because it is important that the gaps between the mattress and the sides and ends of the cot will not exceed 40mm when the mattress is pushed to one side or end, and 20 mm when the mattress is centred in the cot. The thickness of the mattress has been specified to ensure that the depth of the cot is greater than 500 mm with the mattress base in the lower position to minimise the risk of a child climbing or falling out of the cot.

- Follow the manufacturer's assembly instructions in detail to ensure the safety features of the cot are not compromised.
- Ensure the cot is placed at a reasonable distance from curtains, blinds, heaters and power points. * Keep cot free of any toys, cushions etc that could be used as a foothold or present a danger of suffocation or strangulation.
- Keep medication, String, elastic or small items such as money out of reach from any position in the cot

CARE INSTRUCTIONS:

- Clean furniture by lightly wiping the surface with a soft dampened cloth.
- Do not use strong house hold cleaners and avoid using hot liquids.
- Avoid contact with sharp edges or objects
- Do not expose future to strong sunlight, direct heat sources, extreme changes in temperature or moisture.
- When moving the furniture, lift into piece do not drag.

*if you are experiencing a problem with this product please contact the Adairs Retail Group via the following available methods.

- ☎ 1300 783 005
- ✉ info@adairs.com.au
- 🌐 adairs.com.au/adairs.co.nz



WARNING: TO ENSURE THE SAFETY OF YOUR COT, REGULARLY CHECK ALL THE CONNECTING BOLTS MAKING SURE THEY ARE TIGHT.

WARNING: TO PREVENT FALLS OR SUFFOCATION THE MAXIMUM MATTRESS THICKNESS SHOULD NOT EXCEED 130MM.

WARNING: TO PREVENT FALLS, THE MATTRESS BASE OF THIS COT SHOULD BE ADJUSTED TO THE LOWEST POSITION BEFORE THE CHILD CAN SIT UP.

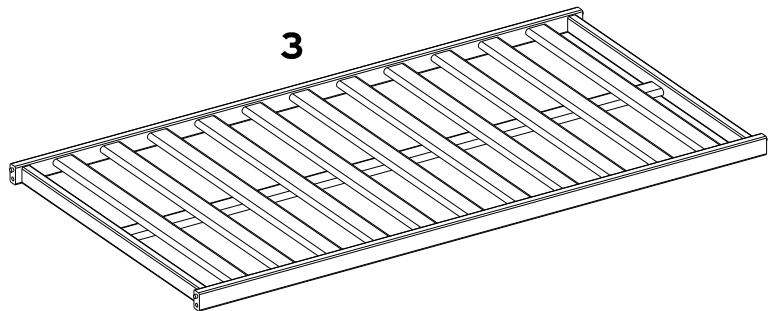
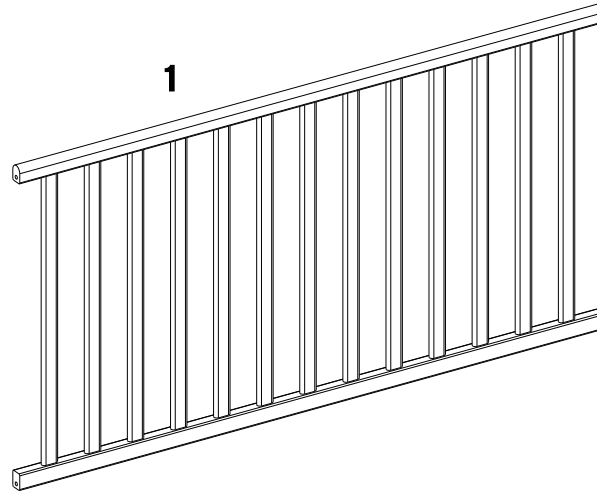
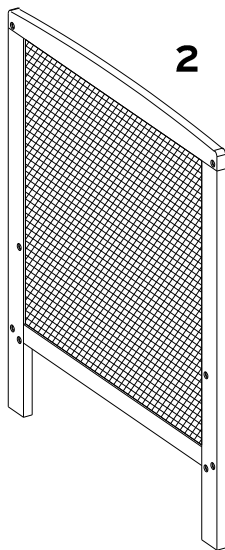
ASSEMBLY INSTRUCTIONS

45777 ARDEN RATTAN COT

Please read instructions carefully. Remove all wrapping material, staples and packing straps from the carton. See Hardware and Furniture Parts List for guidance. Be sure you have all parts before you start assembling. Place all wooden furniture parts on a clean and flat soft surface, such as carpet or rug to prevent from being scratched.

PARTS INCLUDED

- 1. Side Frame : 2pcs
- 2. End Frame : 2pcs
- 3. Mattress Base : 1pc



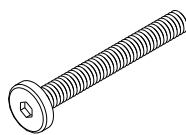
HARDWARE LIST



WARNING:

This package contains small parts.
Keep away from children until assembled.

- A. Long Bolt : 12pcs
- B. Short Bolt : 4pcs
- C. Cap Nut : 4pcs
- D. Barrel Nut : 12pcs
- E. Washer : 16pcs
- F. Allen Key : 2pcs



A



B



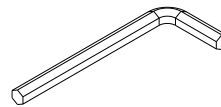
C



D



E



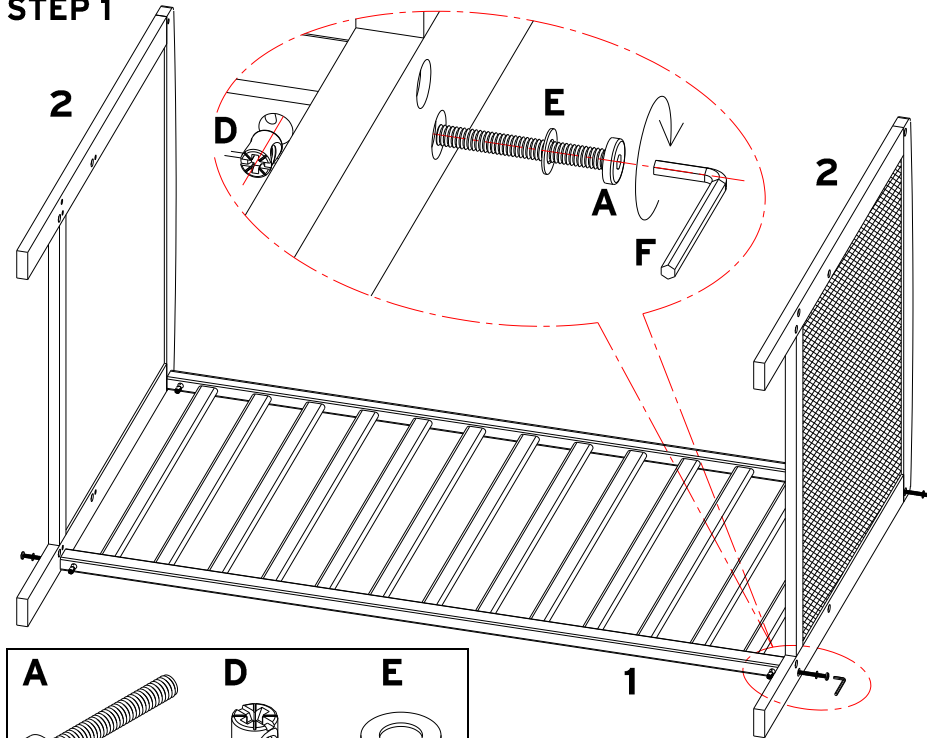
F

ASSEMBLY INSTRUCTIONS

45777 ARDEN RATTAN COT

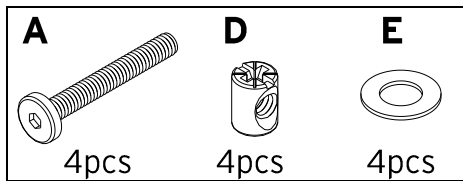
Upper Position

STEP 1

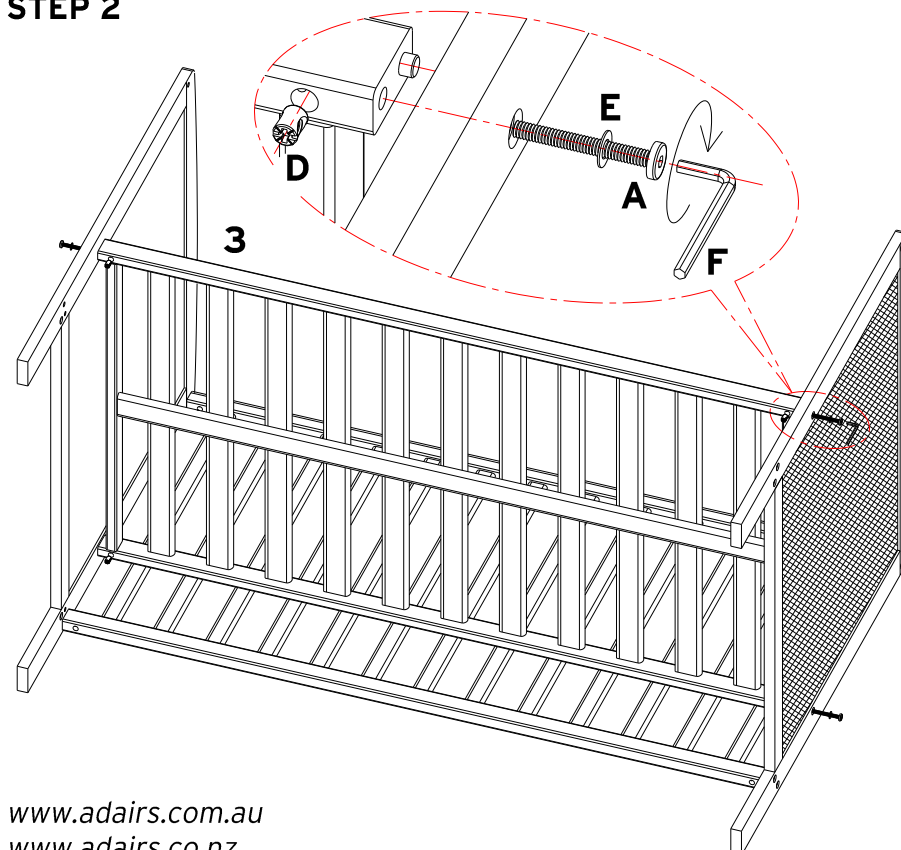


Lay down one of the side frames (1), connect to the two end frame (2) with 4 connecting long bolts (A) with washers (E) and 4 barrel nuts (D) to barrel holes.

Note : Do not tighten bolts at this stage.

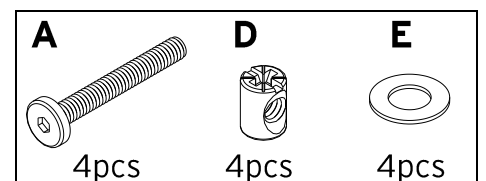


STEP 2



Connect the mattress base (3) in correct orientation as "This side up" indicated on frame to the two end frame with 4 connecting bolts (A) with washers (E) and 4 barrel nuts (C) at upper position.

Note : Do not tighten bolts at this stage.

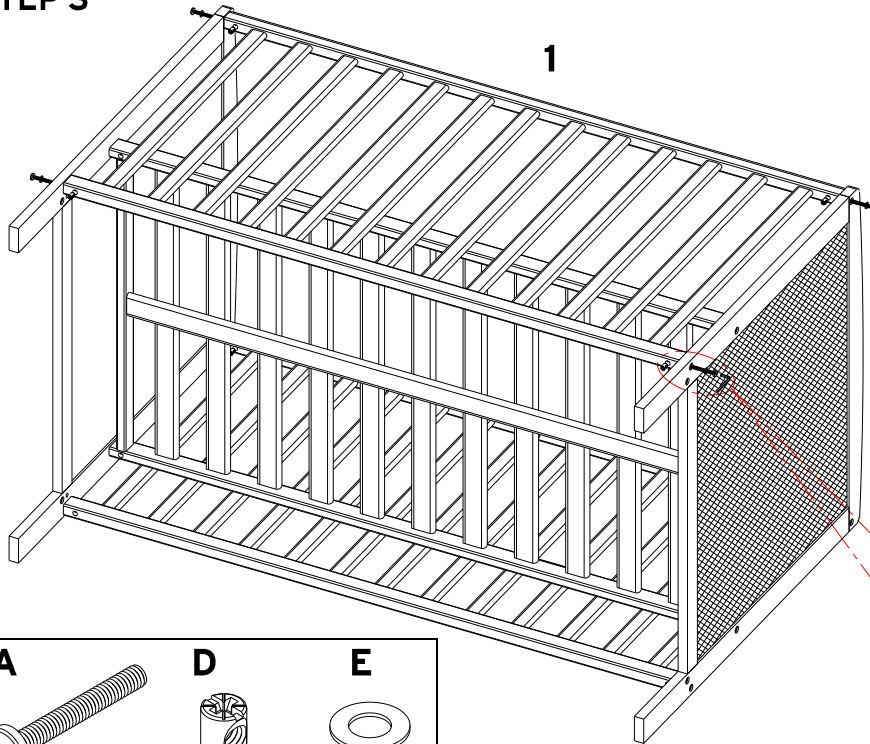


ASSEMBLY INSTRUCTIONS

45777 ARDEN RATTAN COT

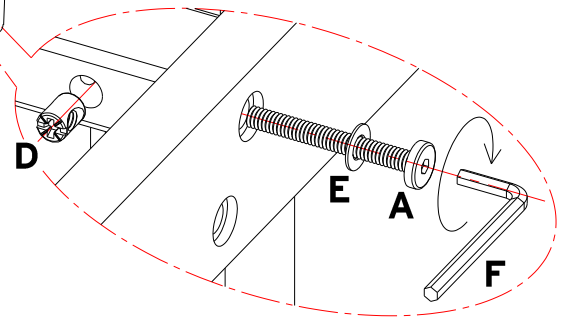
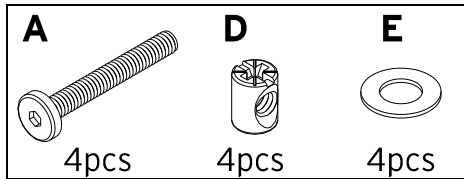
Upper Position

STEP 3



Connect the other side frame (1) to the two end frame with 4 connecting bolts (A) with washers (E) and 4 barrel nuts (D) to barrel holes.

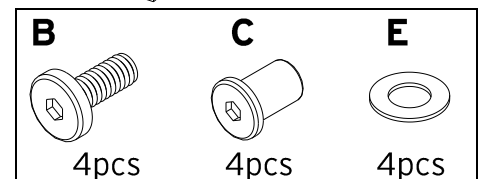
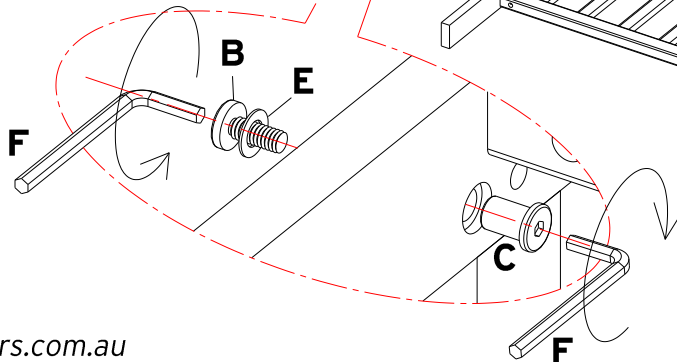
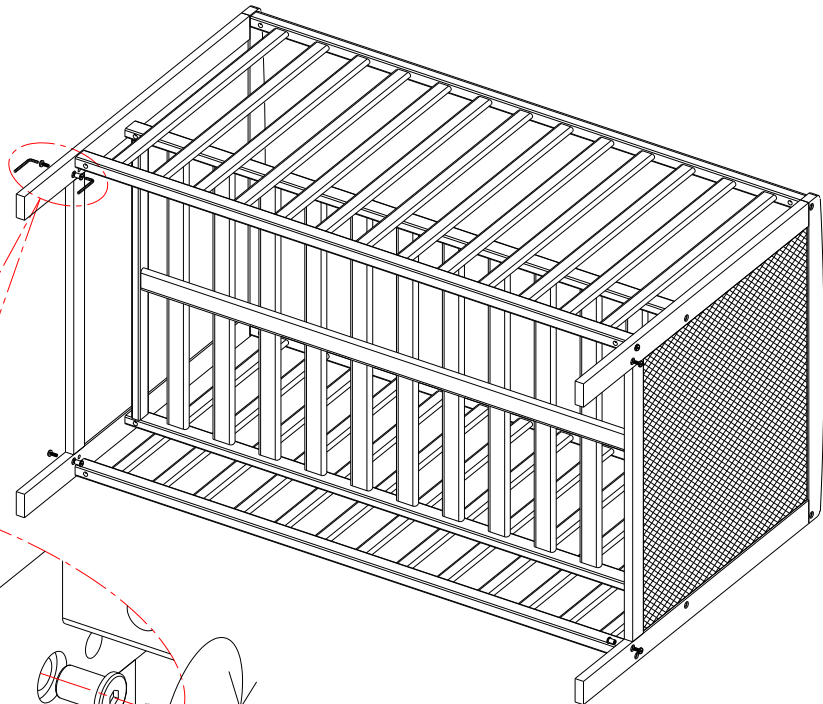
Note : Do not tighten bolts at this stage.



STEP 4

Turn the cot in the correct position for use.

Tighten all the connecting bolts. Fill in used position holes on the end frames with 4 connecting bolts (B), washer (E) and 4 cap nuts (C)

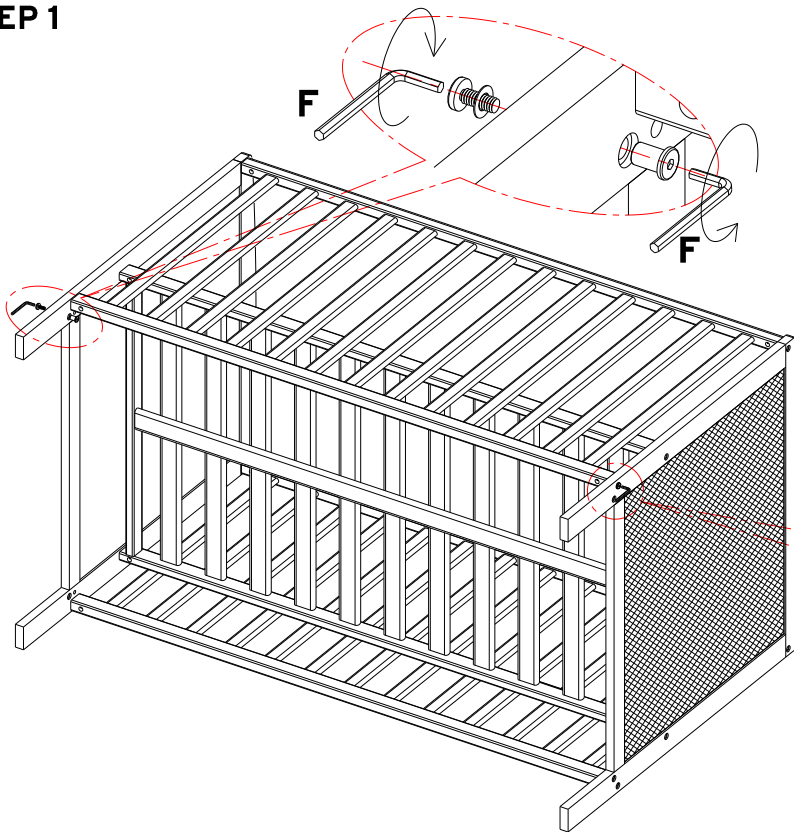


ASSEMBLY INSTRUCTIONS

45777 ARDEN RATTAN COT

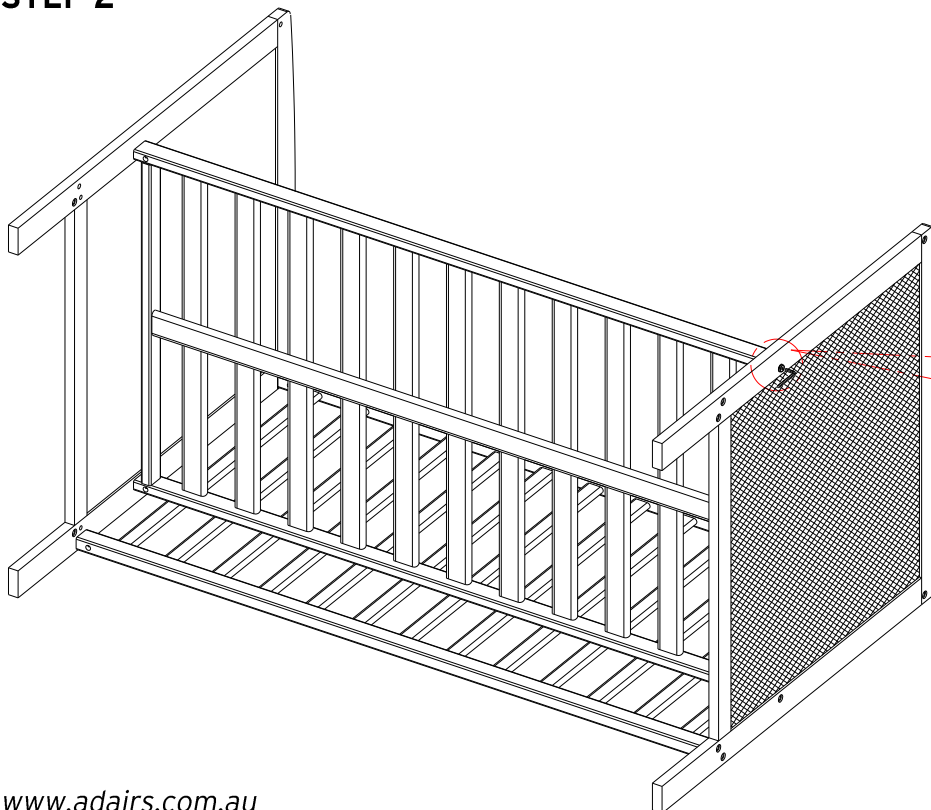
Lower Position

STEP 1



Lay down the cot. Remove 4 connecting bolts (B), washer (E) and 4 cap nuts (C) from bottom holes. Unscrew 4 connecting bolts (A) with washers (E) and 4 barrel nuts (D) to remove one side frame (1).

STEP 2



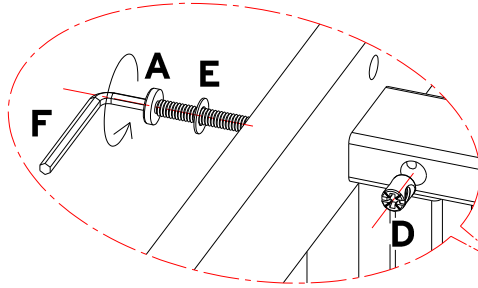
Unscrew 4 connecting bolts (A) with washers (E) and 4 barrel nuts (D) to remove mattress base (3) to lower position.

ASSEMBLY INSTRUCTIONS

45777 ARDEN RATTAN COT

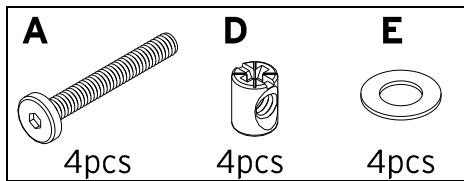
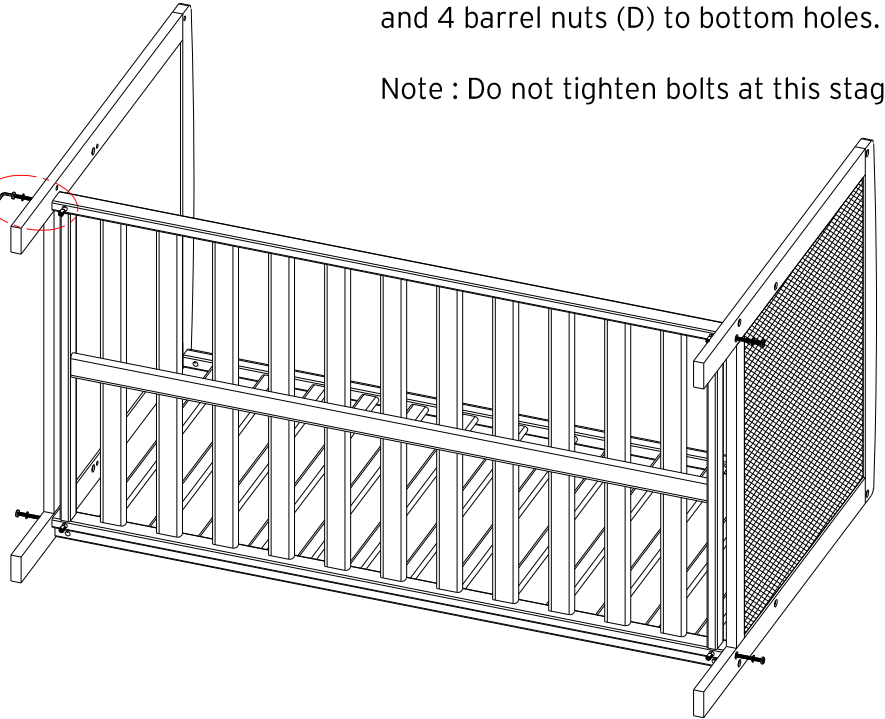
Lower Position

STEP 3

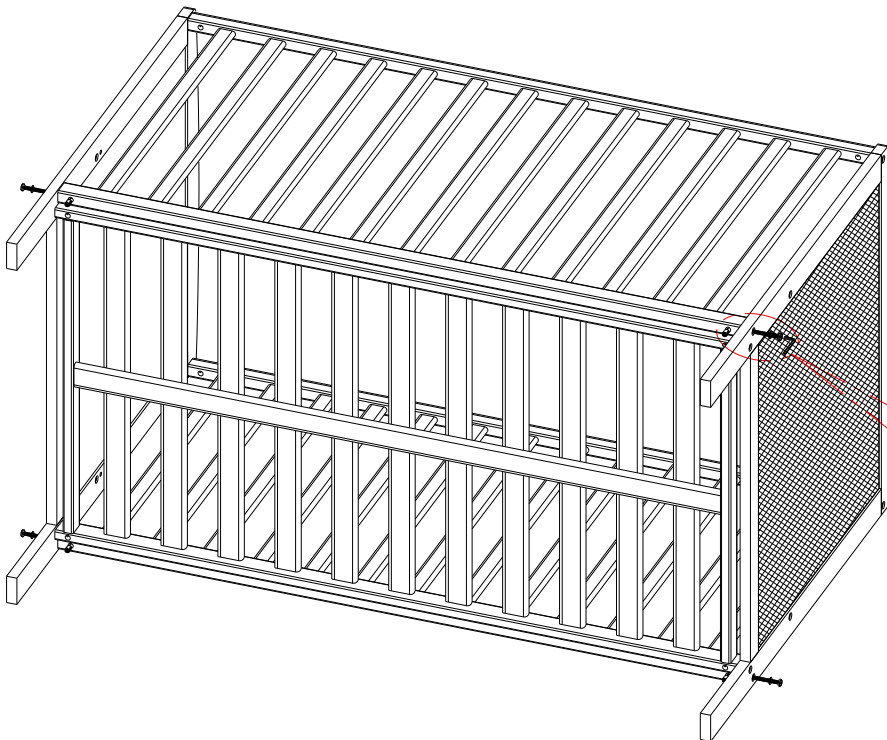


Adjust the mattress base (3) position and connect to two end frame (2) with 4 connecting bolts (A) with washers (E) and 4 barrel nuts (D) to bottom holes.

Note : Do not tighten bolts at this stage.

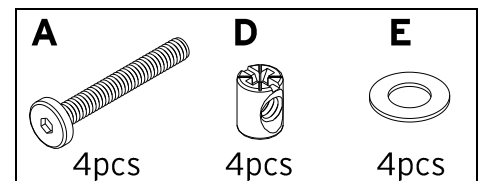
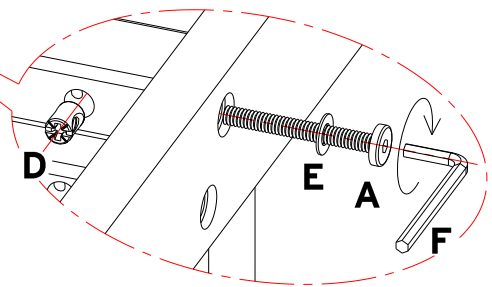


STEP 4



Connect the second side frame to the two end frame with 4 connecting bolts (A) with washers (E) and 4 barrel nuts (D) to barrel holes.

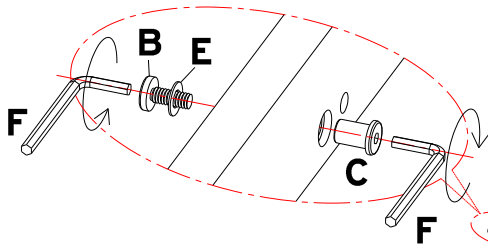
Note : Do not tighten bolts at this stage.



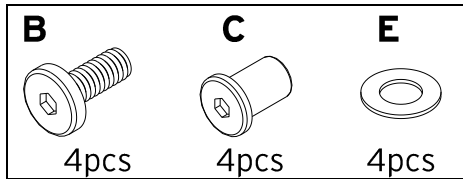
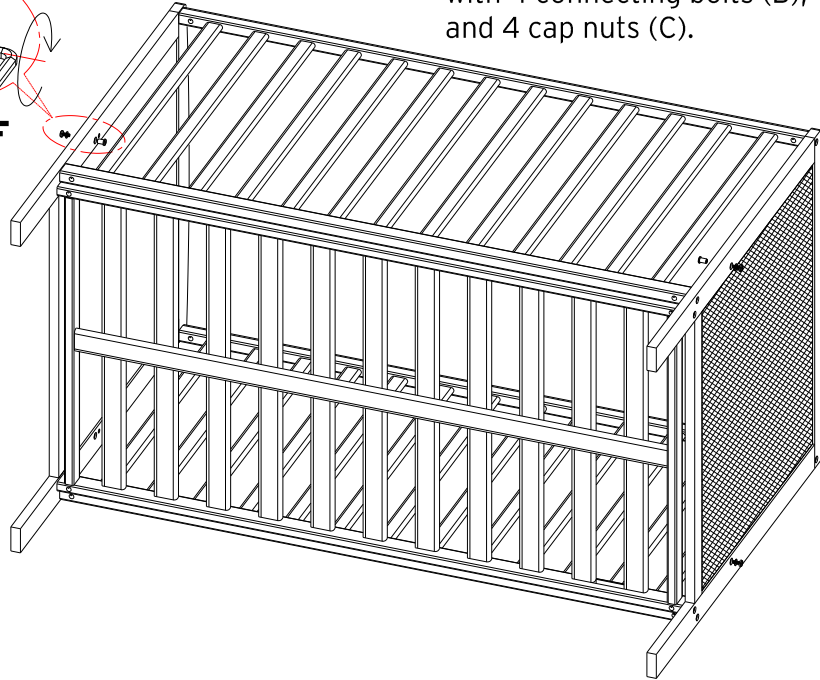
ASSEMBLY INSTRUCTIONS

45777 ARDEN RATTAN COT

STEP 5



Tighten all the connecting bolts. Block the unused position holes on the end frame with 4 connecting bolts (B), washer (E) and 4 cap nuts (C).



STEP 6

